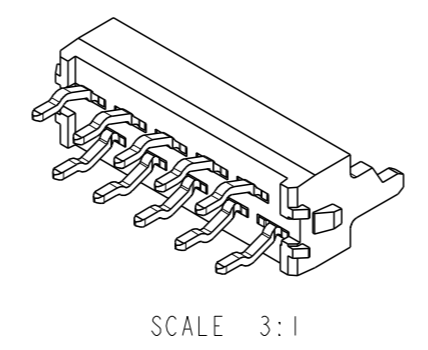
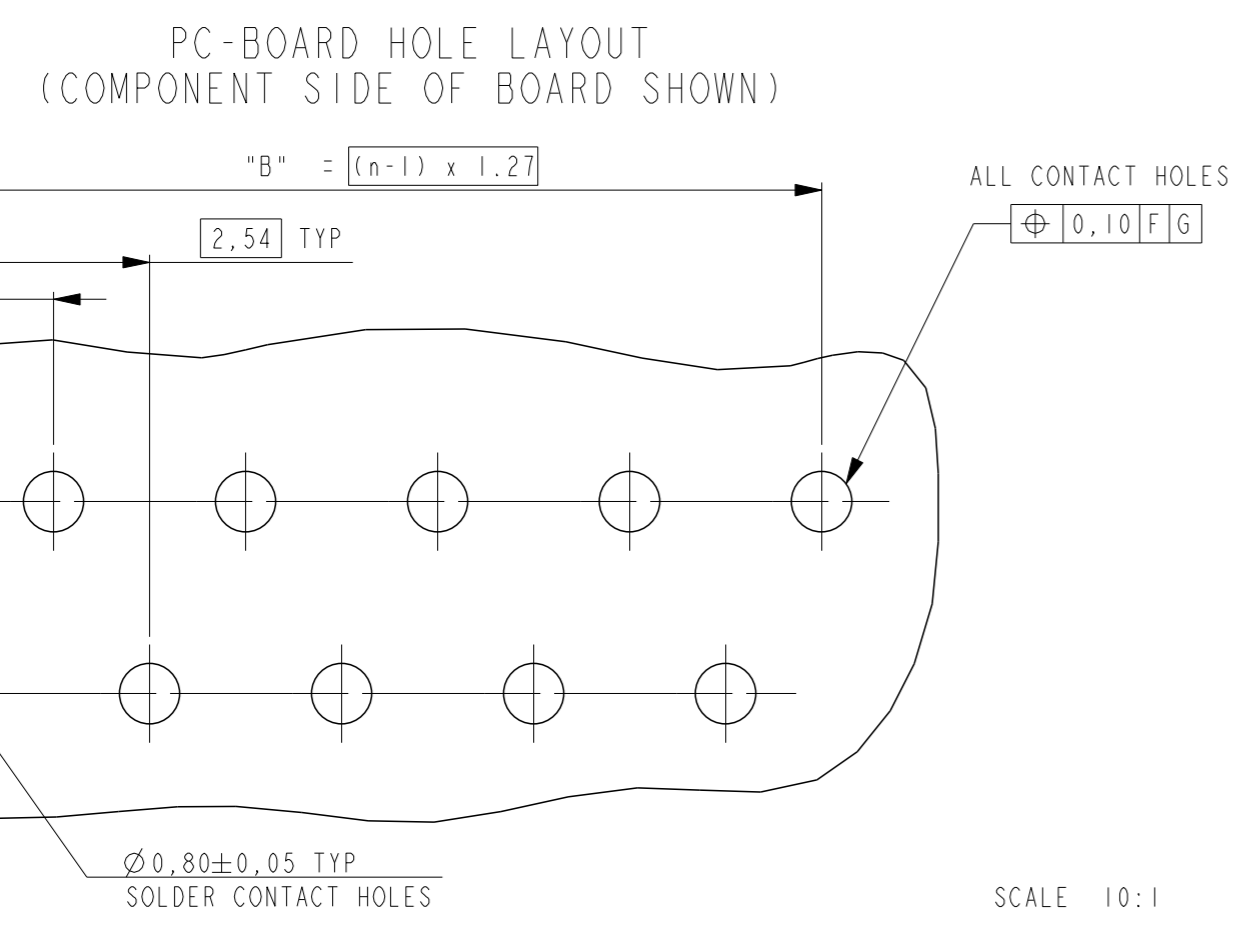
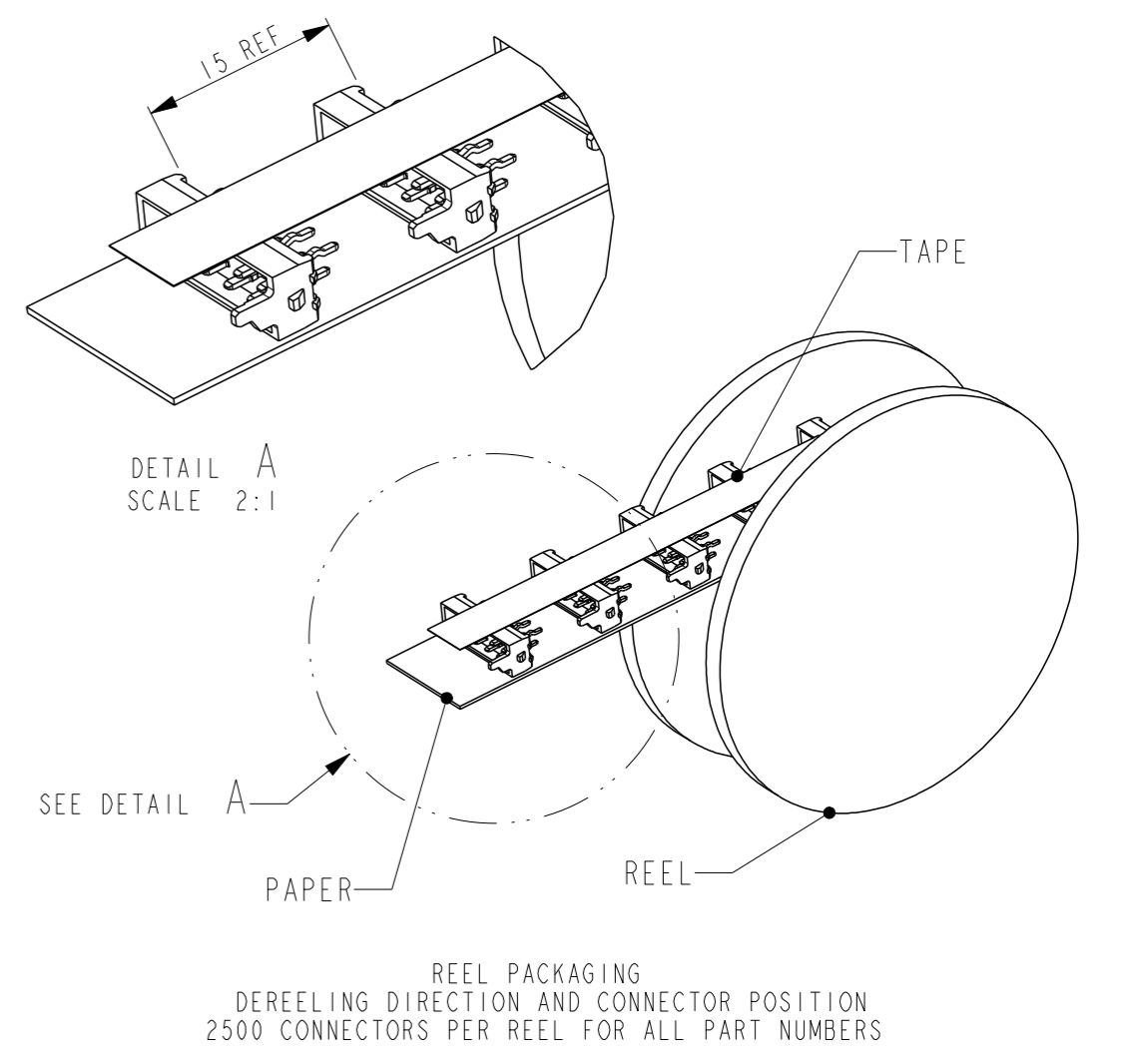
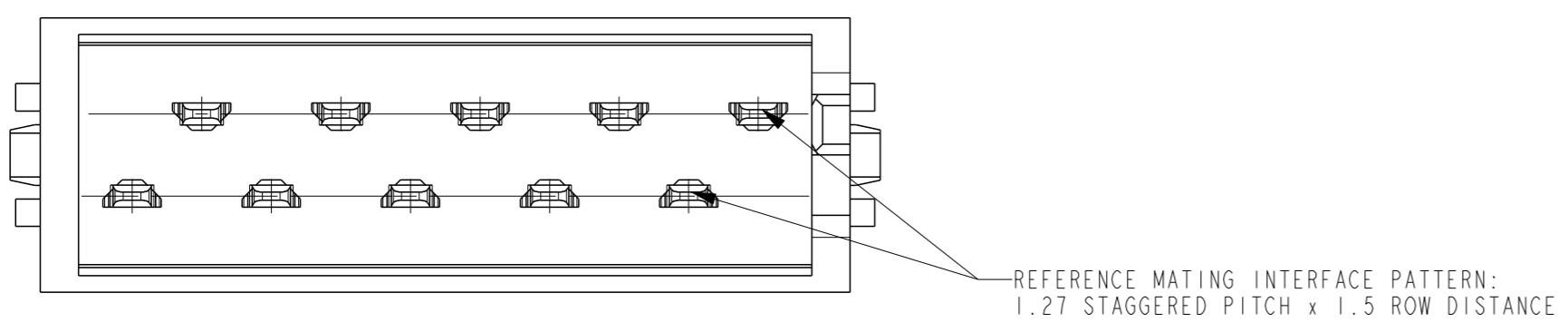
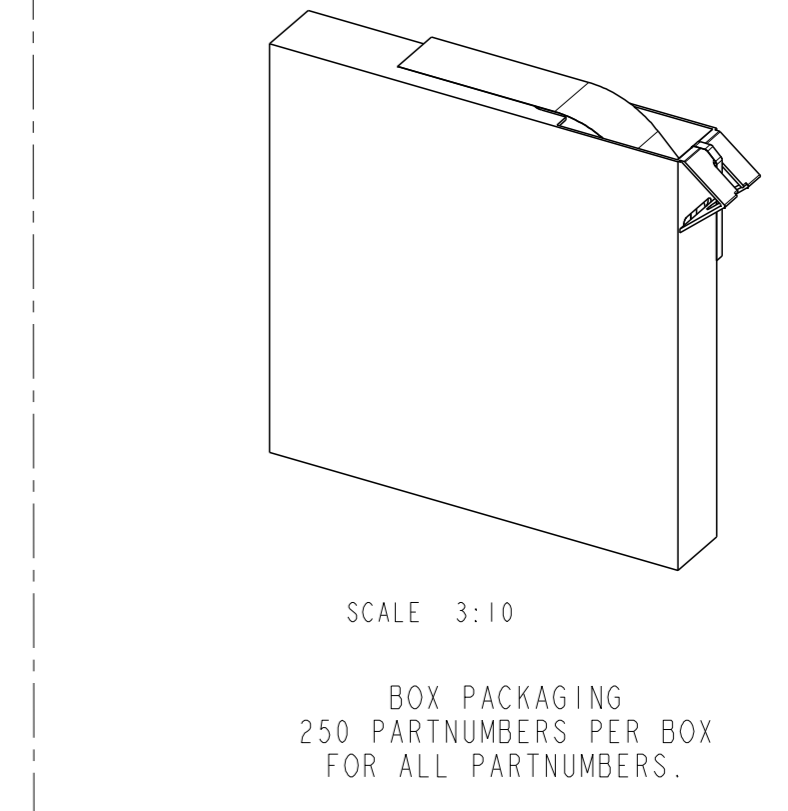
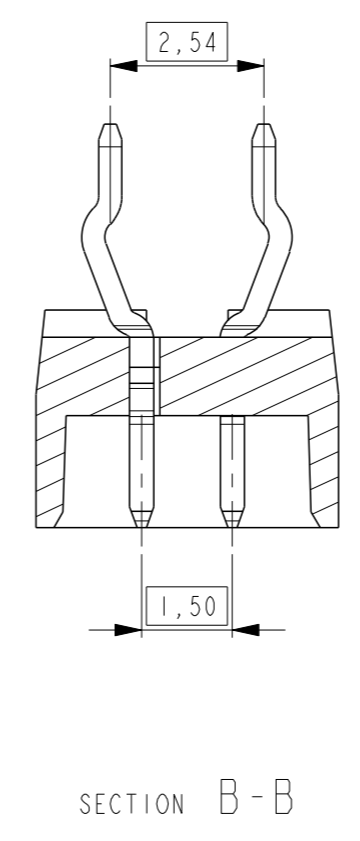
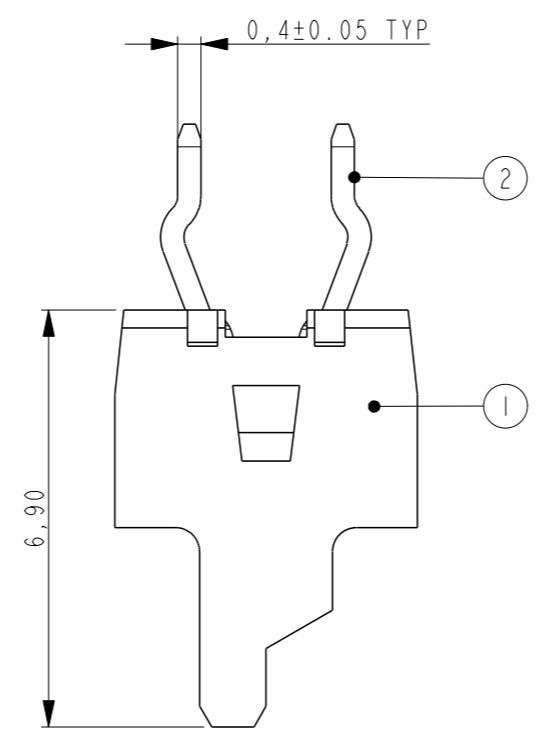
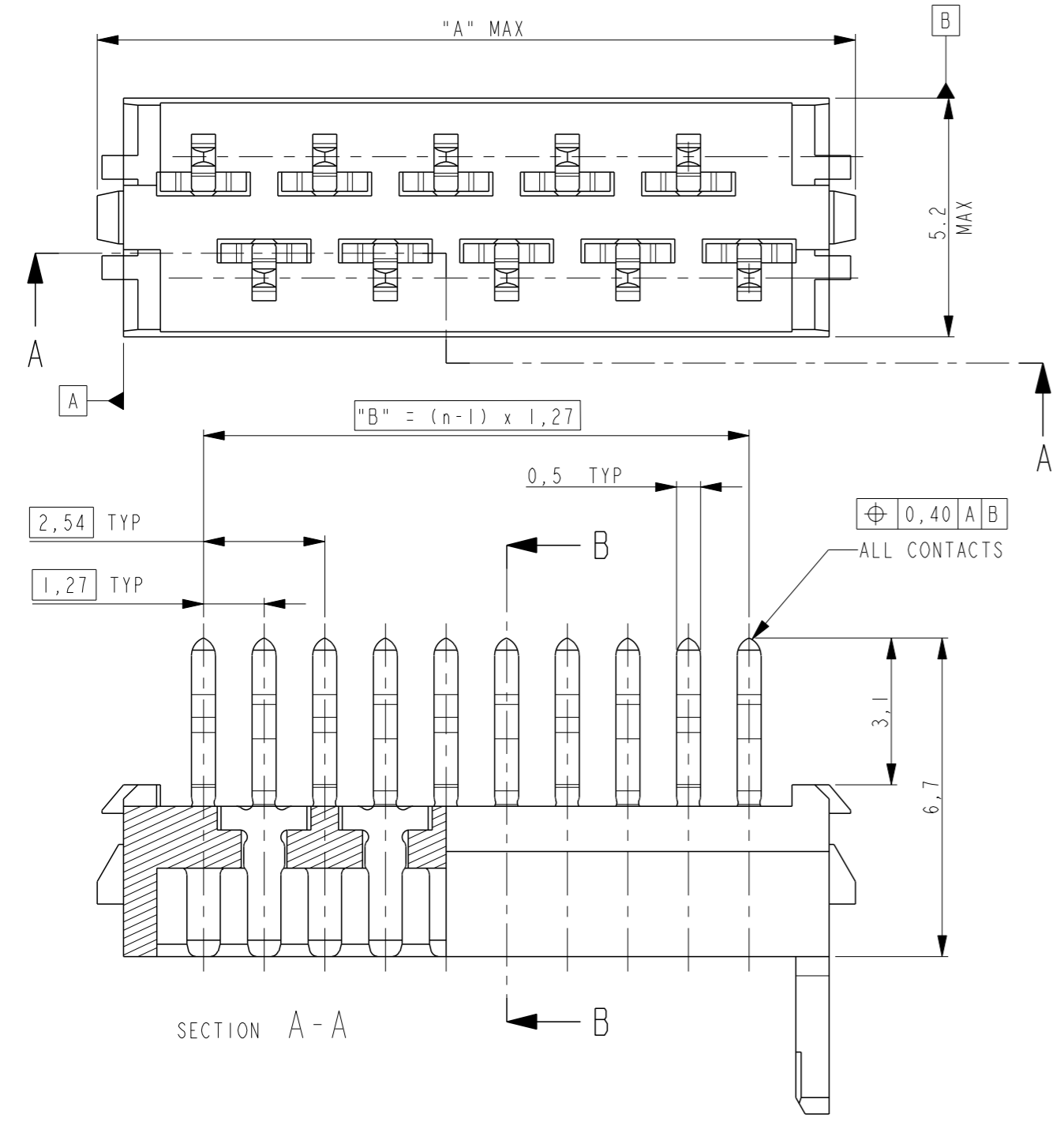


LOC	DIST	REVISIONS			
P	LTR	DESCRIPTION	DATE	DWN	APVD
H	-	M2	DIMENSION AND TOLERANCE ADDITION/CORRECTION	2-8-11	SP RP

PART NUMBER REEL PACKAGING	PART NUMBER BOX PACKAGING	NUMBER OF POSITIONS	"A" MAX	"B"
0-215464-4	7-215464-4	4	8.3	3.81
0-215464-6	7-215464-6	6	10.9	6.35
0-215464-8	7-215464-8	8	13.4	8.89
1-215464-0	8-215464-0	10	15.9	11.43
1-215464-2	8-215464-2	12	18.5	13.97
1-215464-4	8-215464-4	14	21.0	16.51
1-215464-6	8-215464-6	16	24.0	19.05
1-215464-8	8-215464-8	18	26.1	21.59
2-215464-0	9-215464-0	20	28.6	24.13



THIS DRAWING IS A CONTROLLED DOCUMENT.

DIMENSIONS:	TOLERANCES UNLESS OTHERWISE SPECIFIED:
mm	0 PLC ±
	1 PLC ±0.1
	2 PLC ±0.20
	3 PLC ±
	4 PLC ±
MATERIAL	ANGLES ±
SEE TABLE	FINISH ±
	SEE TABLE

2	MALE CONTACT	PHOSPHOR BRONZE	TIN OVER NICKEL
1	HOUSING	G.F POLYESTER, PBT	RED
ITEM NO.	DESCRIPTION	MATERIAL	FINISH / COLOR
DWN	15-04-1992	J. VAN DREUMEL	
CHK		H. KOKKEN	
APVD			
PRODUCT SPEC	108-19052		
APPLICATION SPEC			
WEIGHT		SIZE	CAGE CODE
		A2	00779
CUSTOMER DRAWING		DRAWING NO	C=215464
		RESTRICTED TO	
		SCALE	8:1
		SHEET	1 OF 1
		REV	M2