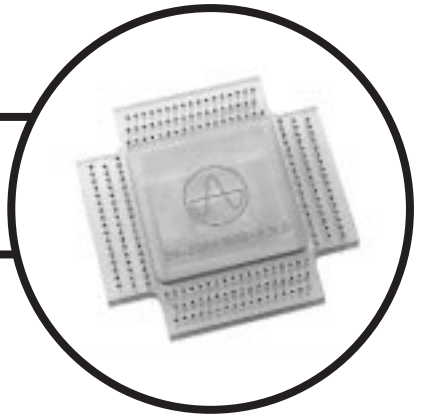
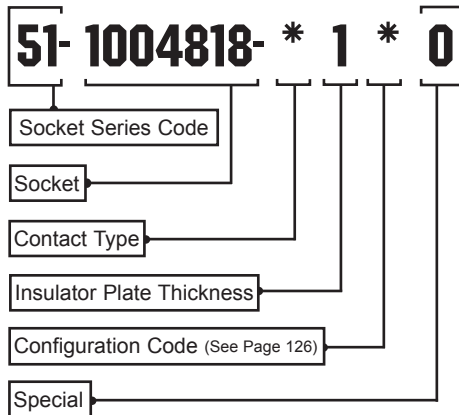


Receptacles

Design Rules



Part Number Ordering Procedure



Acceptable Socket

Terminal Length

Minimum Pin Length: 2.4mm
 Maximum Pin Length: 3.8mm (If above 3.8mm, groove is required on the insulator)

Material

Insulator: Polyetherimide (PEI)
 Inner Contact: Beryllium Copper (BeCu) 172 heat treated
 Gold plating (30 μ m) over Nickel plating (50 μ m)
 Outer Sleeve: Brass alloy 360 1/2H
 Tin plating (200 μ m) over Nickel plating (100 μ m) or
 Gold plating (10 μ m) over Nickel plating (100 μ m)

Pitch

Pitch: 1.27mm (50MIL) is Standard Pitch (less is considered Fine Pitch)

Reference Guide

Socket Series

Series Code

Contact Types

Socket Series

Series Code

Contact Types

IC51 (Fine Pitch <1.27)	51	A,B,C	IC211	11	A,B,C
IC51 (Standard Pitch = 1.27)	51	D,E,F,G	IC218	28	A,B,C
IC53 (Fine Pitch <1.27)	53	A,B,C	IC235	35	A,B,C
IC53 (Standard Pitch = 1.27)	53	D,E,F,G	NP89	89	H,I,J
IC100	10	D,E,F,G	NP92	92	A,B,C
IC107	07	D,E,F,G	NP161	61	H,I,J
IC120	20	D,E,F,G	NP171	71	H,I,J
IC-176	76	D,E,F,G	NP178	78	K,L,M
IC189	19	A,B,C	NP195	95	K,L,M
IC191	91	A,B,C	NP236	36	K,L,M
IC200	00	A,B,C	NP276	27	K,L,M
IC201	01	A,B,C			N

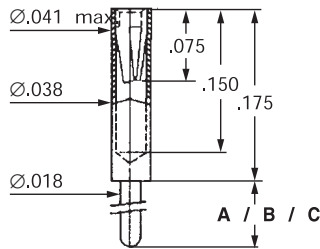
Insulator Plate Thickness

Code	Dimensions	Code	Dimensions
1	3.17mm (0.125") Standard (No groove possible)	4	5.84mm (0.230") Groove Optional
2	4.45mm (1.75") Groove Optional	5	6.00mm (0.236") Groove Optional
3	5.20mm (0.205") Groove Optional	6	6.50mm (0.256") Groove Optional
		7	8.00mm (0.315") Groove Optional

Design Rules

Contact Type

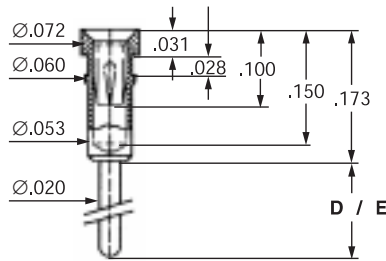
Fine Pitch Solder Tails



Tail Length 4.57mm (0.180")
6.99mm (0.275")
10.16mm (0.400")

Code A
B
C

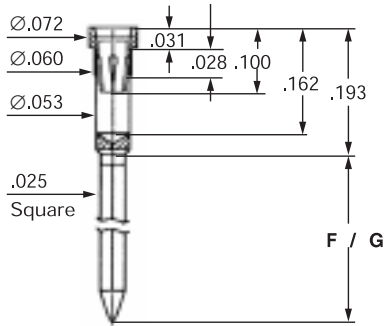
Standard Pitch Solder Tails



Tail Length 4.65mm (0.183")
6.93mm (0.275")

Code D
E

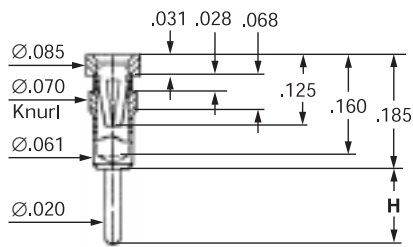
Standard Pitch Wire Wrap



Tail Length 9.14mm (0.360")
12.70mm (0.500")

Code F
G

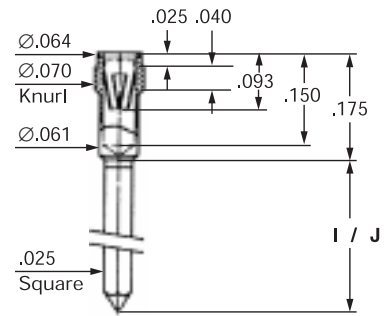
PGA Standard Pitch Solder Tail



Tail Length 3.18mm (0.125")

Code H

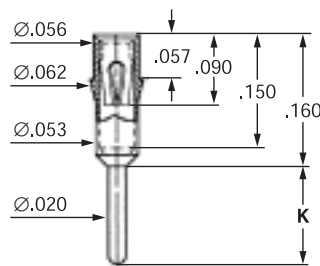
PGA Wire Wrap



Tail Length 9.40mm (0.370")
10.92mm (0.430")

Code I
J

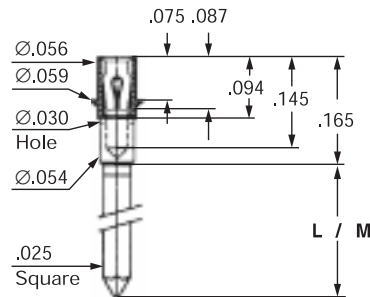
Interstitial PGA Solder Tail



Tail Length 3.18mm (0.125")

Code K

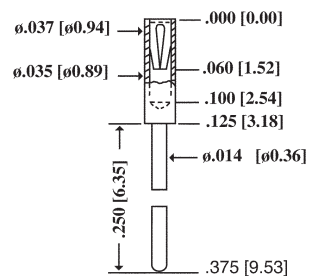
Interstitial PGA Wire Wrap



Tail Length 9.40mm (0.370")
12.70mm (0.500")

Code L
M

BGA Fine Pitch Solder Tail



Tail Length 6.35mm (0.250")

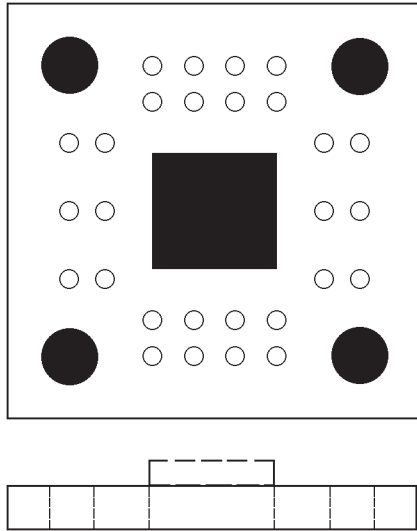
Code S

Design Rules

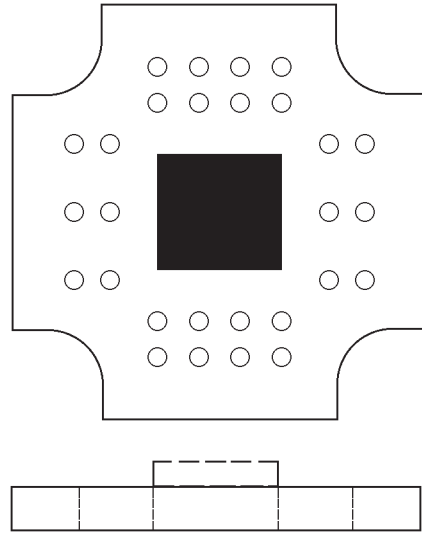
Notches on Insulator

Please note: notched receptacles may be used for handler applications

Without notch & without groove



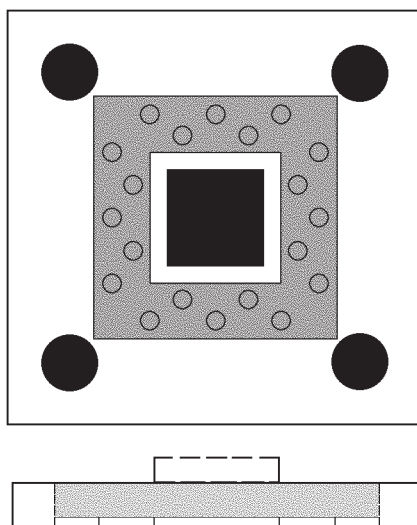
With notch & without groove



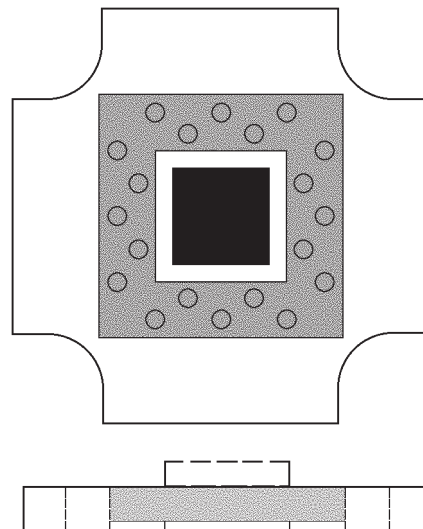
Groove

Please note: on some sockets, the contact tails are too long to seat flush therefore, an additional groove will be needed. (Standard receptacle accepts 3.8mm max contact tail.)

Without notch & with groove



With notch & with groove



Design Rules

Guideposts / Notches / Grooves

Configuration Code

Code	Guidepost	Notch	Groove
A	With Guidepost	NO	NO
B	With Guidepost	YES	NO
C	With Guidepost	NO	YES
D	With Guidepost	YES	YES
E	With Center Hole	NO	NO
F	With Center Hole	YES	NO
G	With Center Hole	NO	YES
H	With Center Hole	YES	YES
I	Solid Top	NO	NO
J	Solid Top	YES	NO
K	Solid Top	NO	YES
L	Solid Top	YES	YES

With Guidepost



With Center hole



Solid Top



Groove

