

STRUCTURE Silicon Monolithic Integrated Circuit

NAME OF PRODUCT DC-AC Inverter Control IC

TYPE **BD9883AF, BD9883FV**

FUNCTION • 36V High voltage process
 • 1ch control with Half-bridge
 • Lamp current and voltage sense feed back control
 • Sequencing easily achieved with Soft Start Control
 • Short circuit protection with Timer Latch
 • Under Voltage Lock Out
 • Mode-selectable the operating or stand-by mode by stand-by pin

○Absolute Maximum Ratings (Ta = 25°C)

Parameter	Symbol	Limits	Unit
Supply Voltage	Vcc	30	V
BST	BST	36	V
BST-ST Voltage Difference	BST-SW	7	V
Operating Temperature Range	Topr	-40~+85	°C
Storage Temperature Range	Tstg	-55~+125	°C
Power Dissipation	Pd	550*1 (BD9883AF)	mW
		650*2 (BD9883FV)	
Maximum Junction Temperature	Tjmax	+125	°C

*1Pd derated at 5.5mW/°C for temperature above Ta = 25°C (When mounted on a PCB 70.0mm×70.0mm×1.6mm)

*2Pd derated at 6.5mW/°C for temperature above Ta = 25°C (When mounted on a PCB 70.0mm×70.0mm×1.6mm)

○Recommended operating condition

Parameter	Symbol	Limits	Unit
Supply voltage	Vcc	6.0~22.0	V
CT oscillation frequency	fcr	20~150	kHz
BST voltage	BST	4.0~30.0	V
BST-SW voltage difference	BST-SW	4.0~6.0	V
BCT oscillation frequency	fbcT	0.10~0.50	kHz

Status of this document

The Japanese version of this document is the official specification.

Please use the translation version of this document as a reference to expedite understanding of the official version.

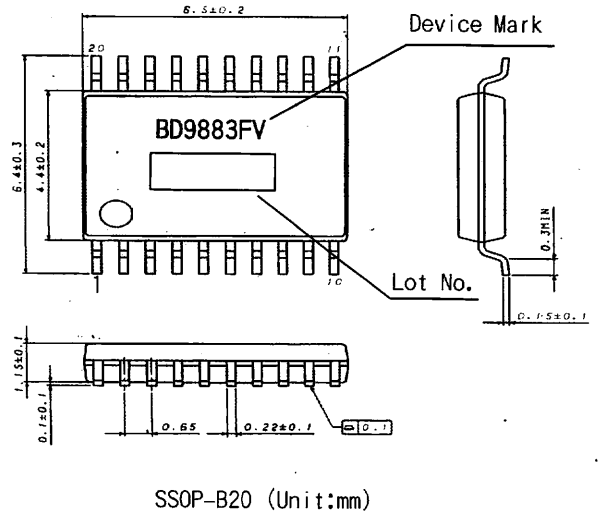
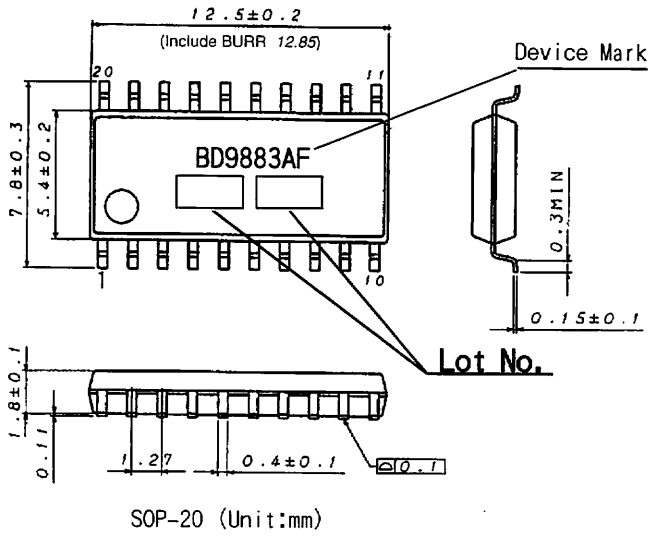
If there is any uncertainty in translation version of this document, official version takes priority.

○Electric Characteristics (Ta=25°C, VCC=7V)

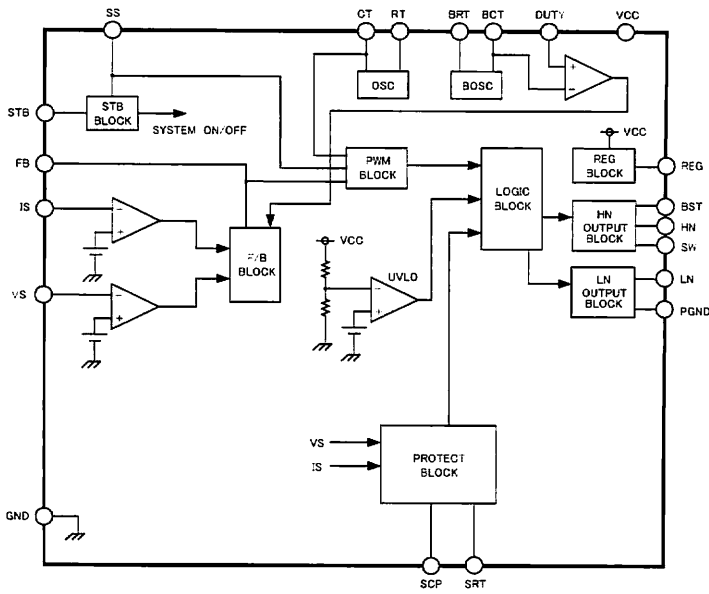
Parameter	Symbol	Limits			Unit	Conditions
		MIN.	TYP.	MAX.		
((WHOLE DEVICE))						
Operating current	Icc1	—	9.0	17.0	mA	fCT=100kHz
Stand-by current	Icc2	—	5.0	10.0	μA	
((STAND BY CONTROL))						
Stand-by voltage H	VstH	1.7	—	VCC	V	System ON
Stand-by voltage L	VstL	-0.3	—	0.7	V	System OFF
Stand-by hysteresis	ΔVst	0.05	0.20	0.35	V	
((UVLO BLOCK))						
Operating voltage	VuvloH	5.15	5.40	5.65	V	
Shut down voltage	VuvloL	4.90	5.15	5.40	V	
((REG BLOCK))						
REG output voltage	VREG	5.30	5.50	5.70	V	Vcc>6.0V
REG source current	I _{REG}	20.0	—	—	mA	
((OSC BLOCK))						
Active edge current	I _{act}	1.35/RT	1.5/RT	1.65/RT	A	
Negative edge current	I _{neg}	I _{act} ×10	I _{act} ×13	I _{act} ×16	A	
OSC Max voltage	V _{oscH}	1.8	2.0	2.2	V	fCT=50kHz, fCT=120kHz
OSC Min voltage①	V _{oscL1}	0.2	0.4	0.6	V	fCT=50kHz
OSC Min voltage②	V _{oscL2}	0.05	0.15	0.25	V	fCT=120kHz
Soft start current	I _{ss}	0.50	1.00	1.50	μA	
SRT ON resistance	RSRT	—	150	300	Ω	
((BOSC BLOCK))						
BOSC Max voltage	VBCTH	1.920	2.000	2.080	V	fBCT=0.3kHz
BOSC Min Voltage	VBCTL	0.400	0.500	0.600	V	fBCT=0.3kHz
BOSC constant current	IBCT	1.35/BRT	1.5/BRT	1.65/BRT	A	VBCT=0.2V
((TIMER LATCH))						
Timer Latch voltage	V _{scp}	1.8	2.0	2.2	V	
Timer Latch current	I _{scp}	0.25	0.50	0.75	μA	
((FEED BACK BLOCK))						
IS threshold voltage	V _{is}	1.220	1.250	1.280	V	
VS threshold voltage	V _{vs}	1.220	1.250	1.280	V	
IS source current 1	I _{is1}	—	—	0.9	μA	DUTY=2.0V
IS source current 2	I _{is2}	12.0	20.0	28.0	μA	DUTY=0V, IS=0.5V
VS source current	I _{vs}	—	—	0.9	μA	
FB over voltage detect voltage	V _{ovf}	2.2	2.5	2.8	V	
IS COMP detect Voltage	V _{isc}	0.3	0.4	0.5	V	
((OUTPUT BLOCK))						
LN output sink current	R _{sinkLN}	—	15	30	Ω	
LN output source current	R _{sourceLN}	—	30	60	Ω	
HN output sink current	R _{sinkHN}	—	15	30	Ω	VBST-VSW=5.0V
HN output source current	R _{sourceHN}	—	30	60	Ω	VBST-VSW=5.0V

(This product is not designed for normal operation with in a radio active environment.)

○Package Dimensions



○Block Diagram



○Pin Description

Pin No.	Pin Name	Function
1	DUTY	Control PWM mode and BURST mode
2	BCT	External capacitor from BCT to GND for adjusting the BURST triangle oscillator
3	BRT	External resistor from BRT to GND for adjusting the BURST triangle oscillator
4	CT	External capacitor from CT to GND for adjusting the triangle oscillator
5	RT	External resistor from RT to GND for adjusting the triangle oscillator
6	SRT	External resistor from SRT to RT for adjusting the triangle oscillator
7	GND	GROUND
8	FB	Error amplifier output
9	IS	Error amplifier input①
10	VS	Error amplifier input②
11	STB	Stand-by switch
12	SCP	External capacitor from SCP to GND for Timer Latch
13	SS	External capacitor from SS to GND for Soft Start Control
14	PGND	Ground for FET drivers
15	LN	NMOS FET driver
16	HN	NMOS FET driver
17	SW	Low voltage for HN output
18	BST	Boot-Strap input for HN output
19	REG	Internal regulator output
20	VCC	Supply voltage input

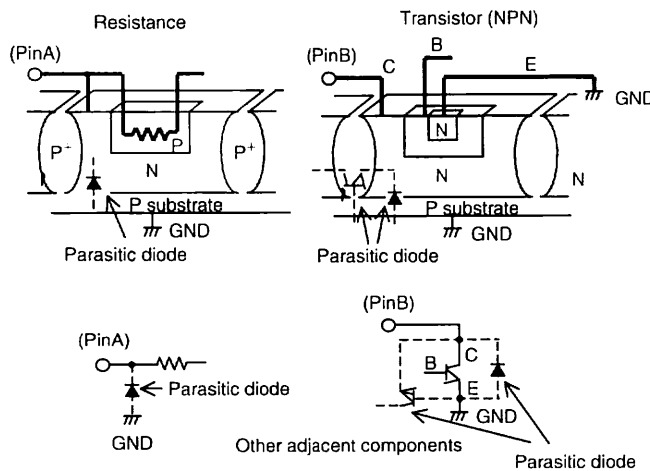
○NOTE FOR USE

1. When designing the external circuit, including adequate margins for variation between external devices and the IC. Use adequate margins for steady state and transient characteristics.
2. Recommended Operating Range
The circuit functionality is guaranteed within of ambient temperature operation range as long as it is within recommended operating range. The standard electrical characteristic values cannot be guaranteed at other voltages in the operating ranges, however, the variation will be small.
3. Mounting Failures
Mounting failures, such as misdirection or miscounts, may harm the device.
4. Electromagnetic Fields
A strong electromagnetic field may cause the IC to malfunction.
5. The GND pin should be the location within $\pm 0.3V$ compared with the PGND pin
6. BD9883AF, BD9883FV has the short circuit protection with Thermal Shut Down System. When STB or Vcc pin re-supplied, They enables to cancel the latch. If It rise the temperature of the chip more than 170°C (TYP), It make the external FET OFF
7. Absolute maximum ratings are those values that, if exceeded, may cause the life of a device to become significantly shortened. Moreover, the exact failure mode caused by short or open is not defined. Physical countermeasures, such as a fuse, need to be considered when using a device beyond its maximum ratings.
8. About the external FET, the parasitic Capacitor may cause the gate voltage to change, when the drain voltage is switching. Make sure to leave adequate margin for this IC variation.
9. On operating Slow Start Control (SS is less than 2.2V), It does not operate Timer Latch.
10. By STB voltage, BD9883AF, BD9883FV is changed to 2 states. Therefore, do not input STB pin voltage between one state and the other state (0.7~1.7V).

11. The pin connected a connector need to connect to the resistor for electrical surge destruction.
 12. This IC is a monolithic IC which (as shown is Fig-1) has P⁺ substrate and between the various pins. A P-N junction is formed from this P layer of each pin. For example, the relation between each potential is as follows,

- (When GND > PinB and GND > PinA, the P-N junction operates as a parasitic diode.)
- (When PinB > GND > PinA, the P-N junction operates as a parasitic transistor.)

Parasitic diodes can occur inevitably in the structure of the IC. The operation of parasitic diodes can result in mutual interference among circuits as well as operation faults and physical damage. Accordingly you must not use methods by which parasitic diodes operate, such as applying a voltage that is lower than the GND(P substrate)voltage to an input pin.



☒-1 Simplified structure of a Bipolar IC

Notes

- No technical content pages of this document may be reproduced in any form or transmitted by any means without prior permission of ROHM CO.,LTD.
- The contents described herein are subject to change without notice. The specifications for the product described in this document are for reference only. Upon actual use, therefore, please request that specifications to be separately delivered.
- Application circuit diagrams and circuit constants contained herein are shown as examples of standard use and operation. Please pay careful attention to the peripheral conditions when designing circuits and deciding upon circuit constants in the set.
- Any data, including, but not limited to application circuit diagrams information, described herein are intended only as illustrations of such devices and not as the specifications for such devices. ROHM CO.,LTD. disclaims any warranty that any use of such devices shall be free from infringement of any third party's intellectual property rights or other proprietary rights, and further, assumes no liability of whatsoever nature in the event of any such infringement, or arising from or connected with or related to the use of such devices.
- Upon the sale of any such devices, other than for buyer's right to use such devices itself, resell or otherwise dispose of the same, no express or implied right or license to practice or commercially exploit any intellectual property rights or other proprietary rights owned or controlled by
- ROHM CO., LTD. is granted to any such buyer.
- Products listed in this document are no antiradiation design.

The products listed in this document are designed to be used with ordinary electronic equipment or devices (such as audio visual equipment, office-automation equipment, communications devices, electrical appliances and electronic toys).

Should you intend to use these products with equipment or devices which require an extremely high level of reliability and the malfunction of which would directly endanger human life (such as medical instruments, transportation equipment, aerospace machinery, nuclear-reactor controllers, fuel controllers and other safety devices), please be sure to consult with our sales representative in advance.

About Export Control Order in Japan

Products described herein are the objects of controlled goods in Annex 1 (Item 16) of Export Trade Control Order in Japan.

In case of export from Japan, please confirm if it applies to "objective" criteria or an "informed" (by MITI clause) on the basis of "catch all controls for Non-Proliferation of Weapons of Mass Destruction.

Thank you for your accessing to ROHM product informations.
More detail product informations and catalogs are available,
please contact your nearest sales office.

Please contact our sales offices for details ;

U.S.A / San Diego	TEL : +1(858)625-3630	FAX : +1(858)625-3670
Atlanta	TEL : +1(770)754-5972	FAX : +1(770)754-0691
Dallas	TEL : +1(972)312-8818	FAX : +1(972)312-0330
Germany / Dusseldorf	TEL : +49(2154)9210	FAX : +49(2154)921400
United Kingdom / London	TEL : +44(1)908-282-666	FAX : +44(1)908-282-528
France / Paris	TEL : +33(0)1 56 97 30 60	FAX : +33(0) 1 56 97 30 80
China / Hong Kong	TEL : +852(2)740-6262	FAX : +852(2)375-8971
Shanghai	TEL : +86(21)6279-2727	FAX : +86(21)6247-2066
Dilian	TEL : +86(411)8230-8549	FAX : +86(411)8230-8537
Beijing	TEL : +86(10)8525-2483	FAX : +86(10)8525-2489
Taiwan / Taipei	TEL : +866(2)2500-6956	FAX : +866(2)2503-2869
Korea / Seoul	TEL : +82(2)8182-700	FAX : +82(2)8182-715
Singapore	TEL : +65-6332-2322	FAX : +65-6332-5662
Malaysia / Kuala Lumpur	TEL : +60(3)7958-8355	FAX : +60(3)7958-8377
Philippines / Manila	TEL : +63(2)807-6872	FAX : +63(2)809-1422
Thailand / Bangkok	TEL : +66(2)254-4890	FAX : +66(2)256-6334

Japan /
(Internal Sales)

Tokyo	2-1-1, Yaesu, Chuo-ku, Tokyo 104-0082	TEL : +81(3)5203-0321	FAX : +81(3)5203-0300
Yokohama	2-4-8, Shin Yokohama, Kohoku-ku, Yokohama, Kanagawa 222-8575	TEL : +81(45)476-2131	FAX : +81(45)476-2128
Nagoya	Dainagayo Building 9F 3-28-12, Meieki, Nakamura-ku, Nagoya, Aichi 450-0002	TEL : +81(52)581-8521	FAX : +81(52)561-2173
Kyoto	579-32 Higashi Shiokouji-cho, Karasuma Nishi-iru, Shiokoujidori, Shimogyo-ku, Kyoto 600-8216	TEL : +81(75)311-2121	FAX : +81(75)314-6559

(Contact address for overseas customers in Japan)

Yokohama	TEL : +81(45)476-9270	FAX : +81(045)476-9271
----------	-----------------------	------------------------