

# AMPLIFIERS

## THIN FILM - FLAT PACK

### TF0000, TF1000 & TF2000 SERIES

#### Description

- Low noise amplifiers
- Medium power amplifiers

#### Features

- Frequency range: 1 to 2000 MHz
- Hermetic package
- Bipolar and GaAs Fet

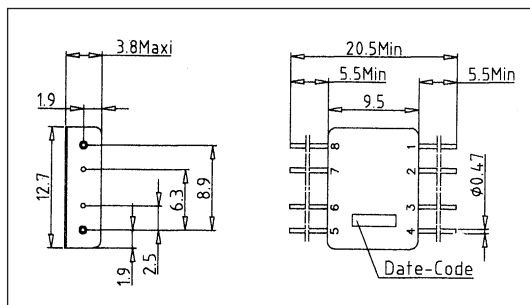
#### Applications

- Military and space
- Telecommunications

#### Operating characteristics

- Impedance: 50  $\Omega$  nominal
- Temperature range: - 40° C to + 110° C

#### Case drawing



#### Pin configuration

Input	Output	VDC	Ground
5	4	1	2, 3, 6, 7

#### Electrical characteristics

Model N°	Frequency range (MHz)		Power output @ 1 dB comp. (dBm)	Noise figure ( $\pm$ dB) max.	Gain (dB) min.	3rd order inter. point (dBm)	Flat ( $\pm$ dB) max.	VSWR max.	DC supply	
	min.	max.							(V)	(mA)
TF0342 B	1	300	11	6	14	21	1	2	15	30
TF1207	5	500	18.5	7.5	29	28	1	2	12	120
TF1206	5	600	2	2.5	11	20	1	2	12	9
TF1308	5	1000	12.5	3.8	24	25	2	2.6	15	48
TF1103	10	150	23	4	13.5	32	0.5	2	15	90
TF1404	10	1400	15	6.5	9	28	1	2	12	42
TF0336	100	1100	4	5.5	13	15	1	2	12	17
TF0337	100	1100	7	6	12.5	21	1	2	12	24
TF0338	100	1100	14	7	12	28	1	2	12	44
TF1401	300	1300	20	8.5	7.5	34	1.5	2	12	80
TF1313	650	1400	7	5.2	17	20	1.6	2	15	50
TF1403	800	1300	3	3.5	13	14	1	2	12	15
TF0345 A	800	1400	14	9.5	11	28	1	2	12	42
TF2506	1500	2000	16	4.5	9	30	1	2	12	70
TF1409	1600	2000	11	4.5	12	25	0.5	2	12	30