



## Applications

VHF radiocommunications  
vehicular, manpack, airborne and  
hand-held versions

## Standards

French MOD : spec. SEFT n° 2559



## Description

Miniature audio connectors with a push-pull coupling system. Thanks to this latching concept and low profile, they enable an intensive use even in harsh conditions.

## Characteristics

### Mechanical

- Shells have 5 polarizing key positions
- Receptacle and plug housings in stainless steel
- Shelf cleaning contacts
- Contact material : copper alloy plating : gold over nickel
- Cable strain relief :
  - torque : 12 cycles
  - tensile force: 400 N
  - bending : 30000 cycles
- Free fall of plug with cable : 1,5 meter
- Endurance : 10000 mating/unmating
- Transverse load : 400 N
- Breaking strength of plug : 800 N
- Axial mating force :  $\geq 130$  N
- Axial demating force :  $\geq 20$  N
- Vibrations : 55 Hz to 2000 Hz at 10 g (6 hours)
- Bump : 4000 bumps severity 40 g
- Shocks : 12 shocks severity 100 g

### Electrical

- Contact resistance :  $\leq 10$  M $\Omega$
- Insulation resistance :  $\geq 1000$  M $\Omega$
- Crosstalk :  $\leq 50$  dB
- Voltage rating :  $> 500$  Vrms, 50 Hz
- Shell to shell continuity :  $< 10$  M $\Omega$

Contacts characteristics		
insert	$\varnothing$ solder bucket	current rating
4	1.4	4 A
10 and 14	0.85	1.5 A

### Climatic

- Climatic category 434 : -55°C to +126°C, 56 days in damp heat
- Salt spray : 96 hours duration
- Sealing : 28 PSI, 2 bars

### Resistance to fluids

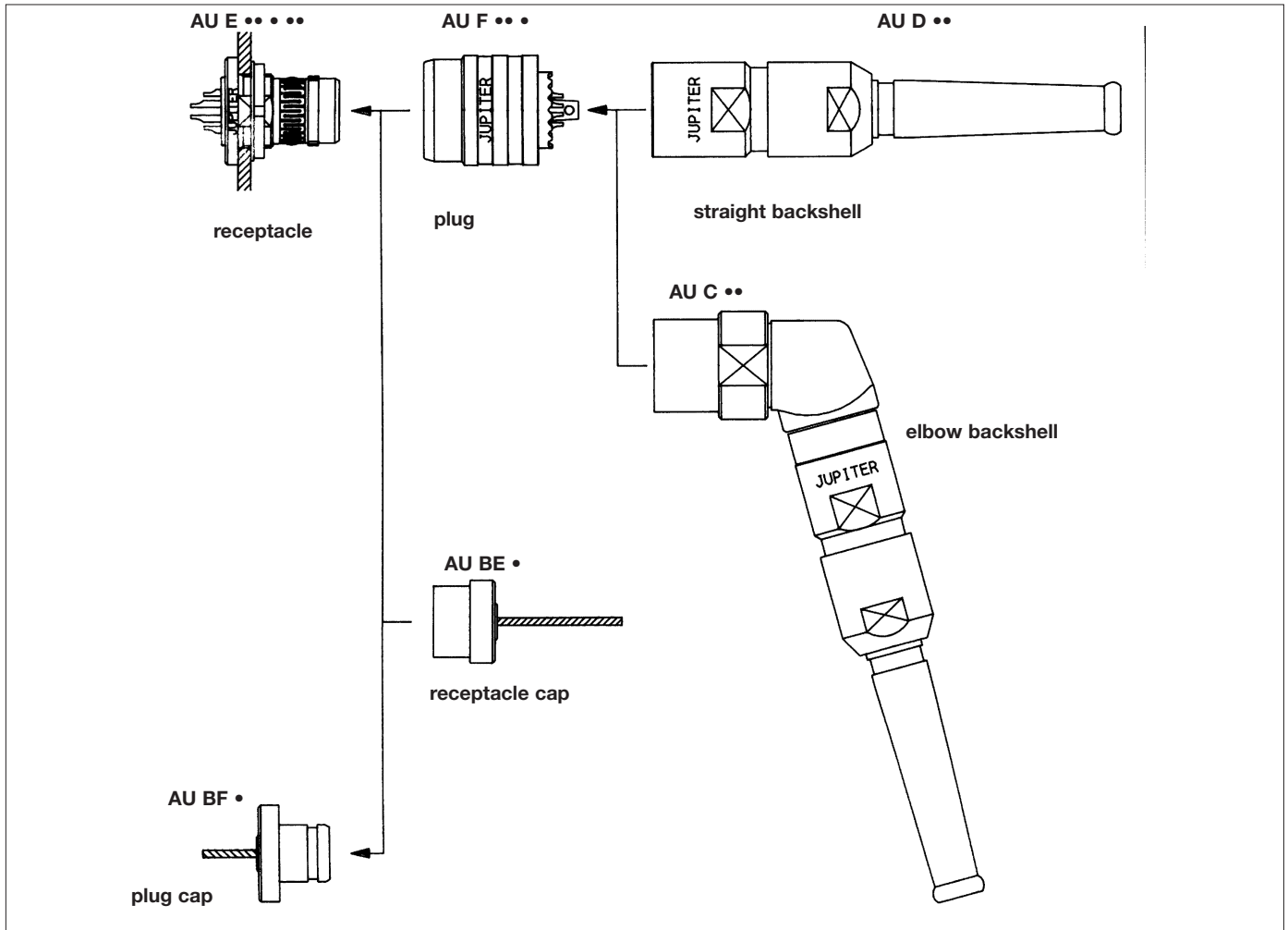
fluid	type	designation
Fuel		ISO 1817 Liquid B
Hydraulic	Petroleum Based	OM-15, NATO H-515, OX-30
Lubricating Oils	Naval Diesel	OMD-113, NATO 0-278
	Turbine	OX-38, NATO-149
Cleaning		Trichloroethane Isopropyl alcohol Methanol / Ethanol
De-Icing	Isopropanol	AL-11, NATO S-737 AL-34, NATO S-1746

## Ordering information

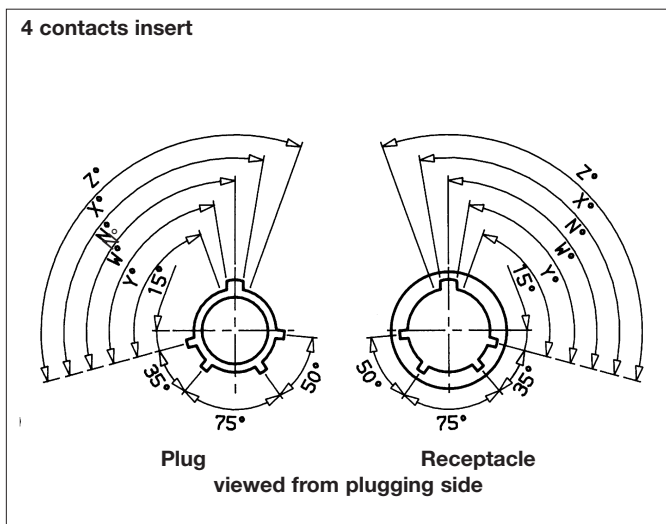
connectors series	AU	F	D	10	W	70	BF
shell type	F - plug E - receptacle						
accessory	D - straight backshell C - elbow backshell						
contact layout	04, 10 or 14						
housing key polarization	N, W, X, Y and Z						
cable outer diameter	1/10 mm - 70, 60, 45						
covering cap	without - no indication plug - BF receptacle - thru' panel mounting : BE 1 obstructed hole mounting (M5) : BE 2 ring attachment : BE 3 2 receptacle caps with mounting inside same obstructed hole : BE 4 obstructed hole mounting (M3) : BE 5						



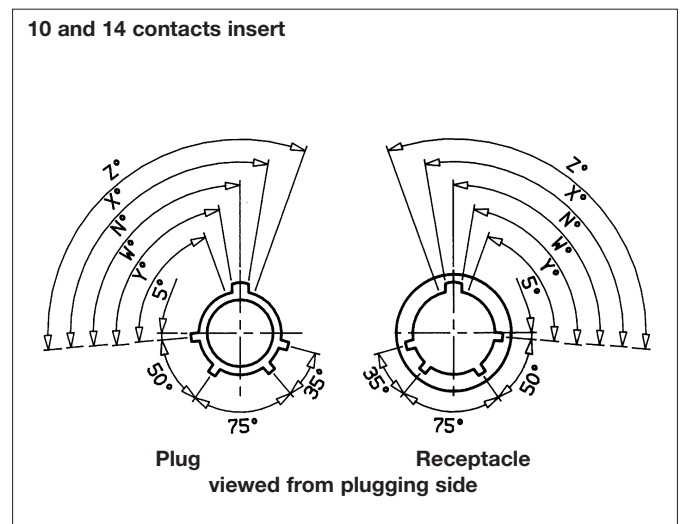
### Assembly configuration



### Housing key polarization



reference	location of main key				
	N	W	X	Y	Z
angle	105°	95°	115°	85°	125°



reference	location of main key				
	N	W	X	Y	Z
angle	95°	85°	105°	75°	115°



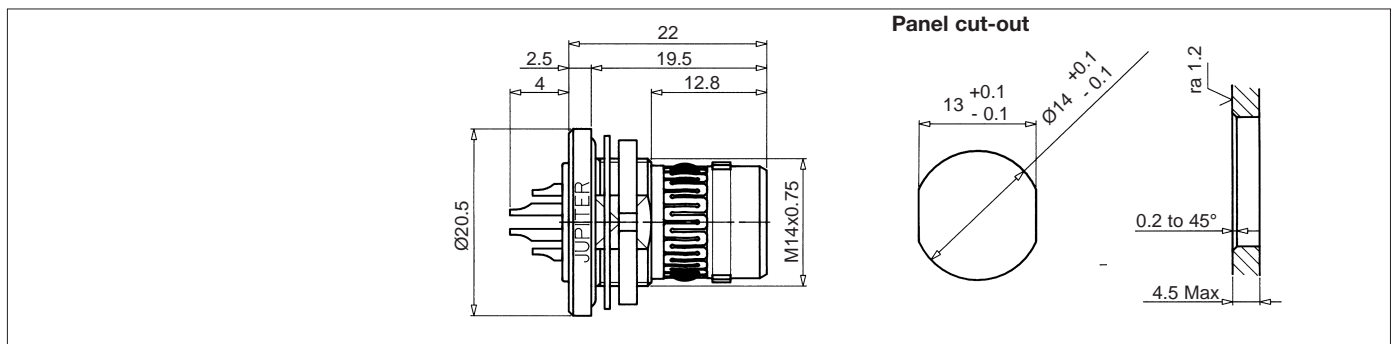
### Contact layouts

number of contacts	4	10	14
Viewed from receptacle wiring side			
Availability on P.C. mounting	NO	YES	YES

### Dimensions

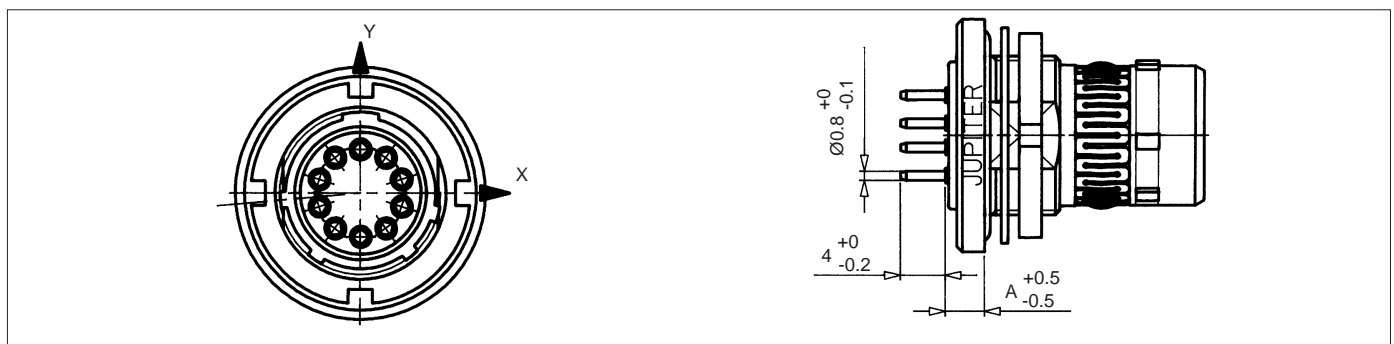
Jam nut receptacle, solder contacts

P/N : AU-E-●●●●



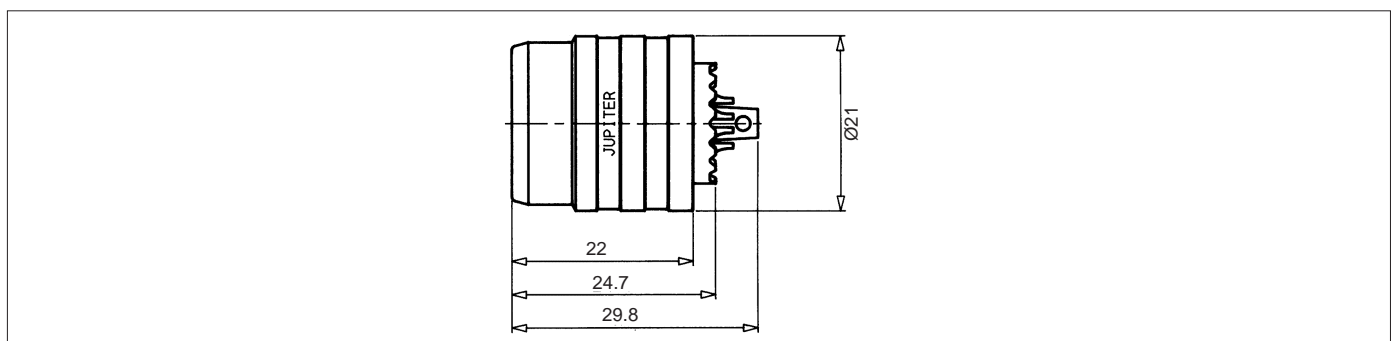
Jam nut receptacle, straight spill contacts

P/N : AU-E-●●●●-Y



Plug

P/N : AU-F-●●●●

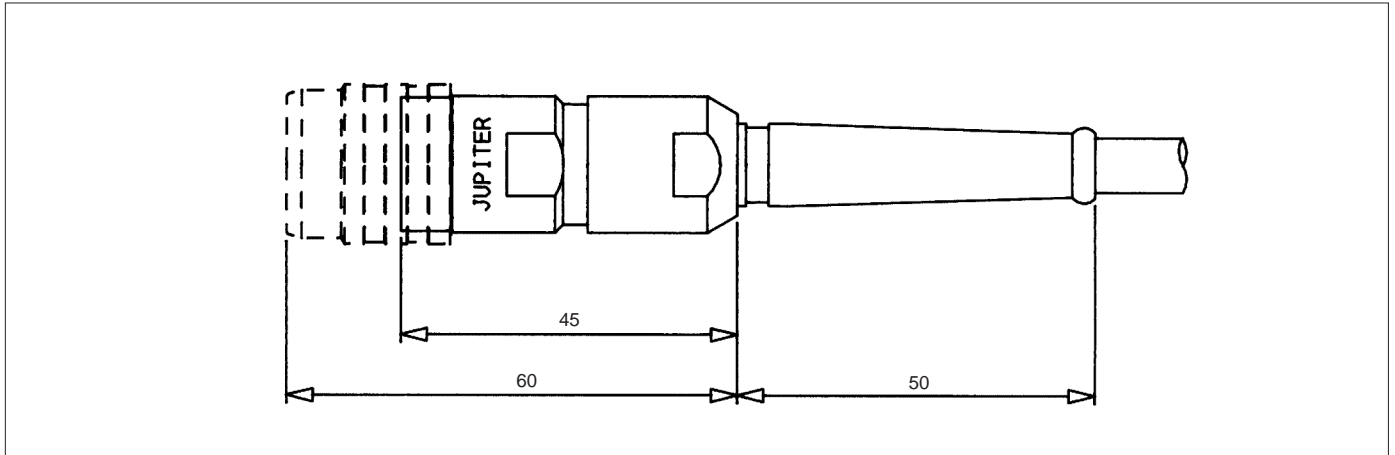


JUPITER  
**Audio Miniature  
Connectors**



**Straight backshell**

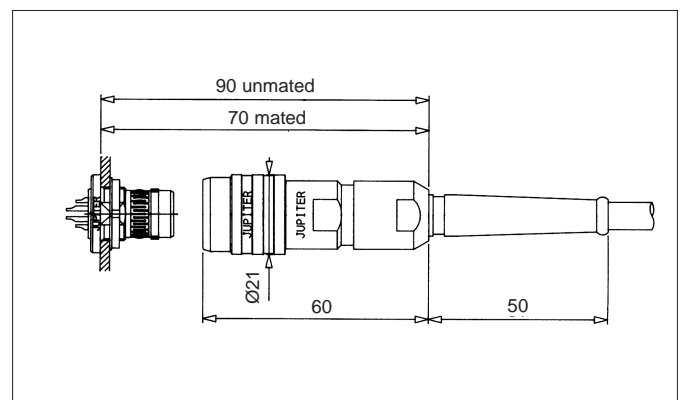
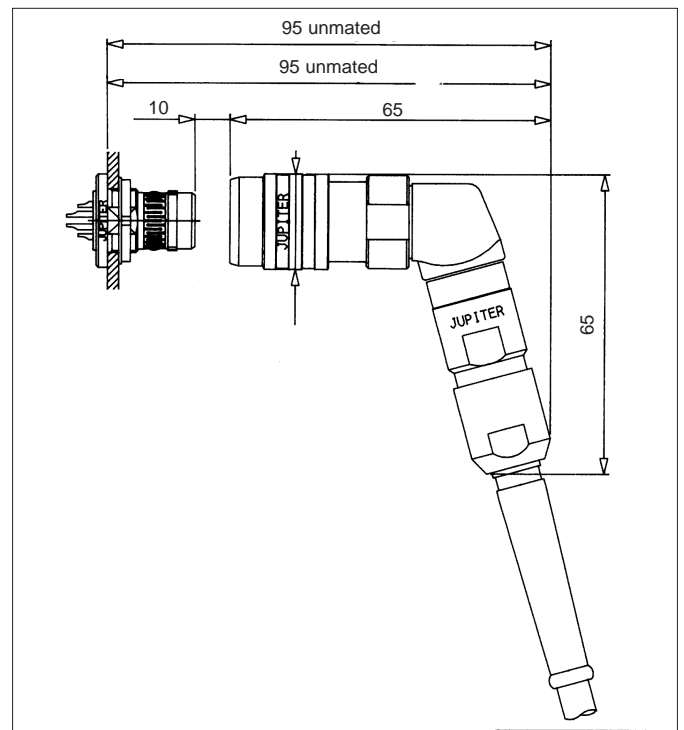
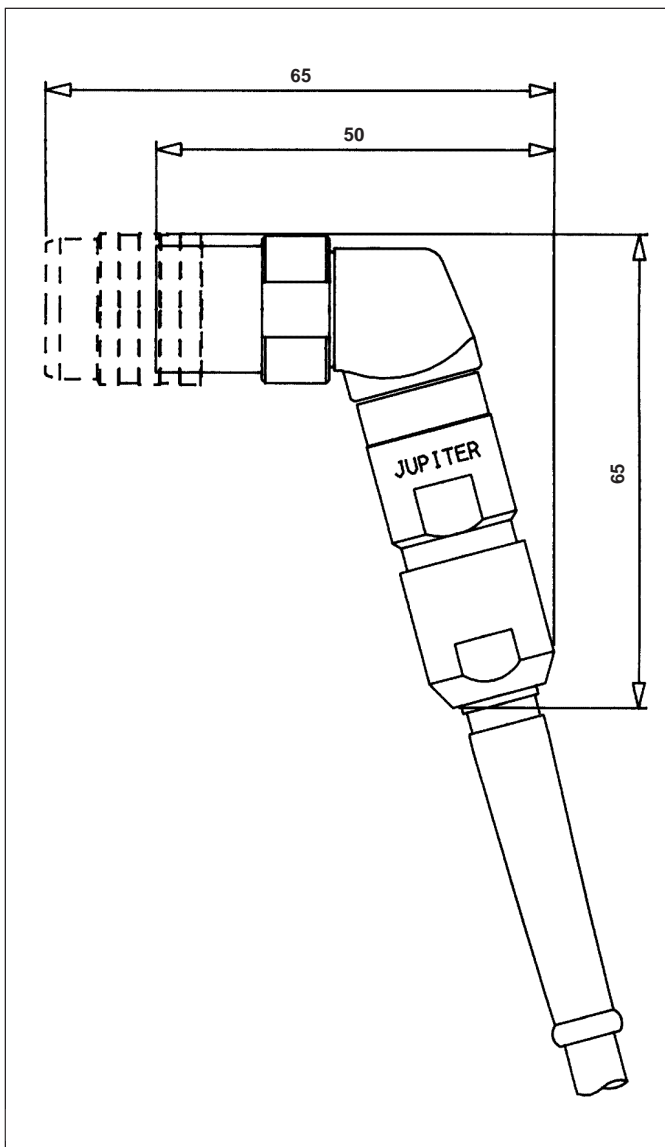
**P/N : AU-D-••**



**Elbow backshell**

**P/N : AU-C-••**

**Mated pairs**

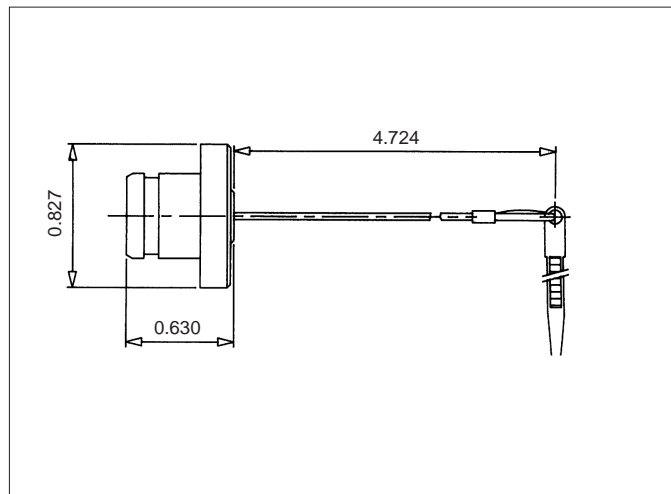




## Covering caps

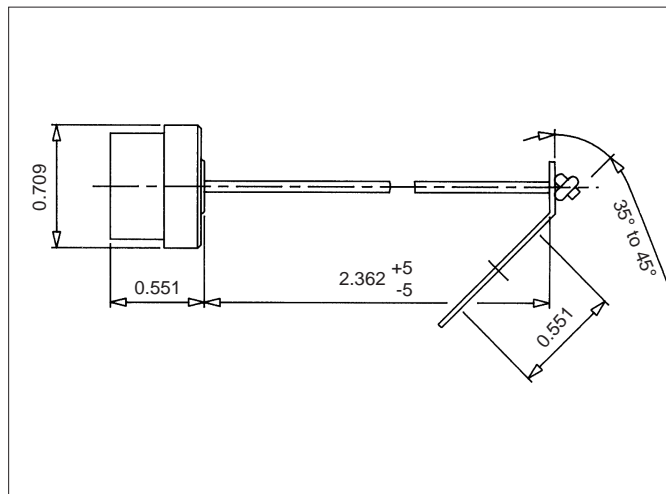
plug

P/N : AU-BF



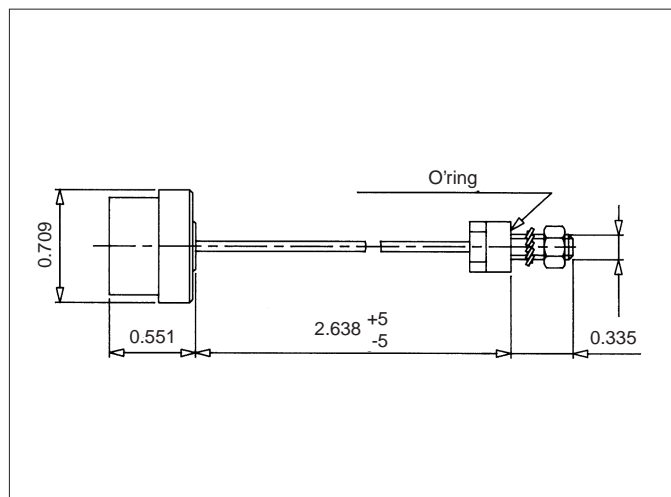
Ring attachment

P/N : AU-BE3



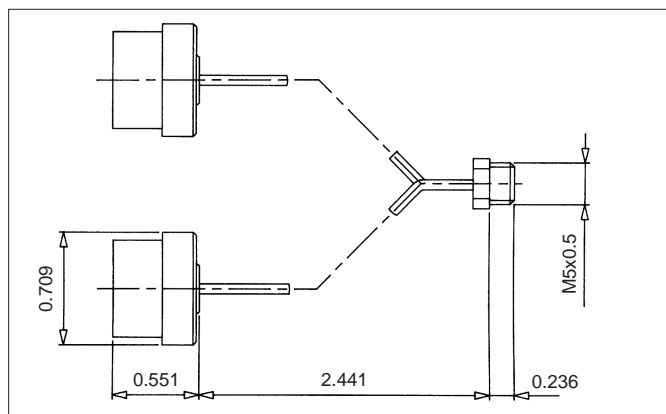
Thru' panel mounting

P/N : AU-BE1



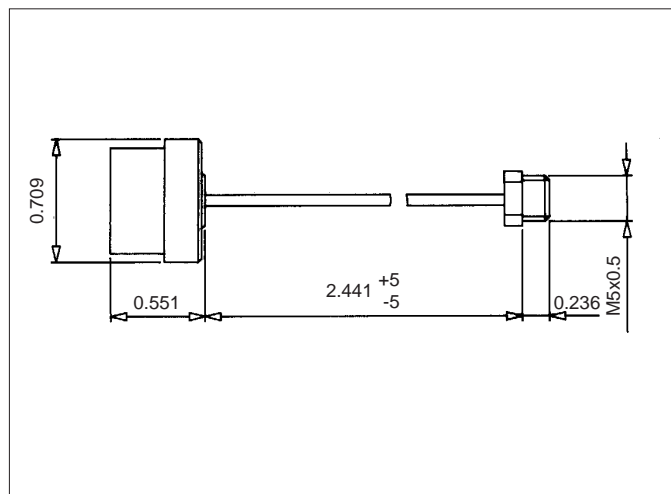
2 receptacle caps with mounting inside same obstructed hole (screws M5)

P/N : AU-BE4



Obstructed hole mounting

P/N : AU-BE2



Obstructed hole mounting (screw M3)

P/N : AU-BE5

