
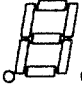


LED DISPLAY

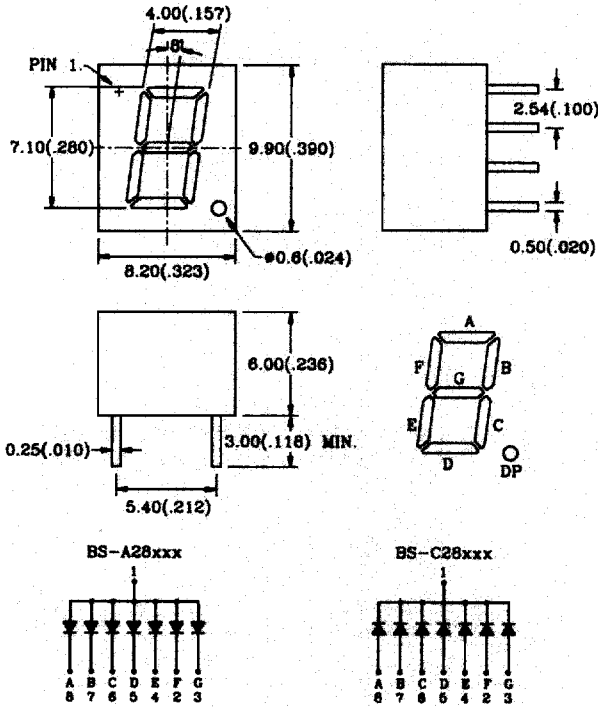
SINGLE DIGIT LED DISPLAYS

Digit Size	Part No.	Chip			Absolute Maximum Ratings				Electro-optical Data(At 10mA)			Drawing No.	
		Common Anode	Common Cathode	Emitted Color	Peak Wave Length λ P(nm)	$\Delta \lambda$ (nm)	Pd (mW)	If(mA)	Peak If(mA)	Vf(V)			Iv Typ. Per Seg. (mcd)
										Typ.	Max.		
	0.28"	BS-A281ND	BS-C281ND	Red	655	40	110	40	200	1.6	2.0	0.4	SD-01
		BS-A285ND	BS-C285ND	Bright Red	700	90	50	15	50	2.1	2.5	0.6	
		BS-A285NE	BS-C285NE										
		BS-A282ND	BS-C282ND	Green	568	30	100	30	150	2.1	2.5	2.5	
		BS-A283ND	BS-C283ND	Yellow	585	35	100	30	150	2.0	2.5	2.0	
		BS-A284ND	BS-C284ND	Hi-Eff Red	635	45	100	30	150	1.9	2.5	2.0	
				Orange									
BS-A286ND	BS-C286ND	Super Red	660	20	60	20	150	1.7	2.5	4.5			
	0.30"	BS-A301RD	BS-C301RD	Red	655	40	110	40	200	1.6	2.0	0.5	SD-02
		BS-A305RD	BS-C305RD	Bright Red	700	90	50	15	50	2.1	2.5	0.8	
		BS-A305RE	BS-C305RE										
		BS-A302RD	BS-C302RD	Green	568	30	100	30	150	2.1	2.5	3.0	
		BS-A303RD	BS-C303RD	Yellow	585	35	100	30	150	2.0	2.5	2.0	
		BS-A304RD	BS-C304RD	Hi-Eff Red	635	45	100	30	150	1.9	2.5	2.5	
				Orange									
		BS-A306RD	BS-C306RD	Super Red	660	20	60	20	150	1.7	2.5	5.0	
		BS-A311RD	BS-C311RD	Red	655	40	110	40	200	1.6	2.0	0.5	SD-03
		BS-A315RD	BS-C315RD	Bright Red	700	90	50	15	50	2.1	2.5	0.8	
		BS-A315RE	BS-C315RE										
		BS-A312RD	BS-C312RD	Green	568	30	100	30	150	2.1	2.5	3.0	
		BS-A313RD	BS-C313RD	Yellow	585	35	100	30	150	2.0	2.5	2.0	
		BS-A314RD	BS-C314RD	Hi-Eff Red	635	45	100	30	150	1.9	2.5	2.5	
Orange													
BS-A316RD	BS-C316RD	Super Red	660	20	60	20	150	1.7	2.5	5.0			
BS-A331RD	BS-C331RD	Red	655	40	110	40	200	1.6	2.0	0.5	SD-04		
BS-A335RD	BS-C335RD	Bright Red	700	90	50	15	50	2.1	2.5	0.8			
BS-A335RE	BS-C335RE												
BS-A332RD	BS-C332RD	Green	568	30	100	30	150	2.1	2.5	3.0			
BS-A333RD	BS-C333RD	Yellow	585	35	100	30	150	2.0	2.5	2.0			
BS-A334RD	BS-C334RD	Hi-Eff Red	635	45	100	30	150	1.9	2.5	2.5			
		Orange											
BS-A336RD	BS-C336RD	Super Red	660	20	60	20	150	1.7	2.5	5.0			

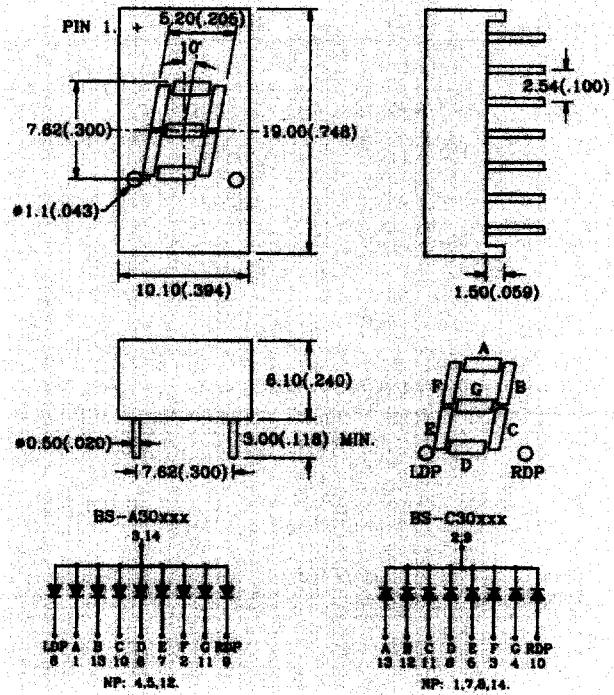
Remark: • The average luminous intensity is obtained by summing the luminous intensity of each segment and dividing by total number of segments.
 • Above part numbers are all with back surface and white segment. For part numbers with other surface and segment color combinations, please check the selection guide Part number system.

LED DISPLAY

SD-01 BS-A₂₈xxx Series

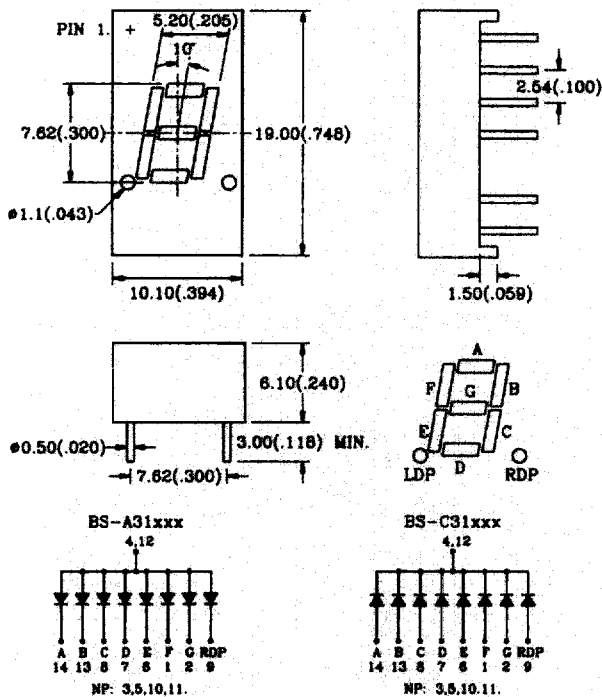


SD-02 BS-A₃₀xxx Series



- NOTES:
1. All Dimensions are in millimeters (inches).
 2. Tolerance is $\pm 0.25\text{mm}$ ($.010''$) unless otherwise specified.
 3. Specifications are subject to change without notice.
 4. NP: No Pin.
 5. NC: No Connect.

SD-03 BS-A₃₁xxx Series



SD-04 BS-A₃₃xxx Series

