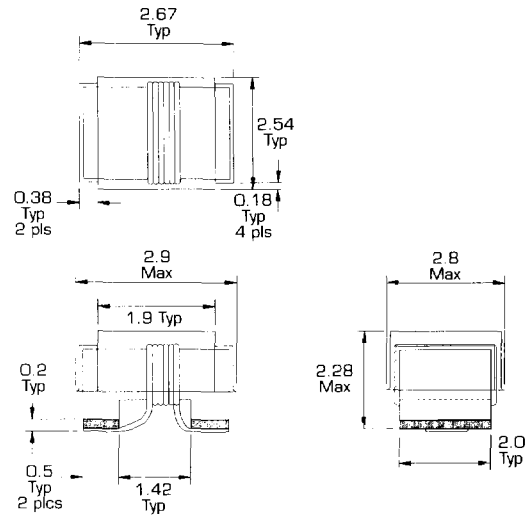
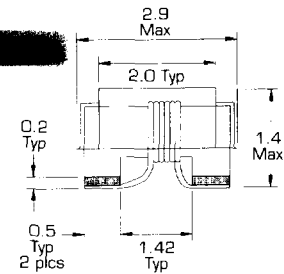


- WRAP AROUND TERMINATIONS
- WIRE TERMINATIONS ARE SPOT WELDED TO TUNGSTEN NICKEL METALLIZATION WITH GOLD FLASH
- SOLDER COAT OPTIONAL
- AVAILABLE ON 8mm TAPE AND REEL
- 5% AND 2% TOLERANCE AVAILABLE
- SPECIAL VALUES AVAILABLE
- EPOXY MOLDED FLAT TOP
- LOW PROFILE CORE AVAILABLE TO 470nH
- MARKING - NUMERICAL OR EIA COLOR CODE



3.3nH — 470nH



L nH	L-Tol.	PART NUMBER	Q min.	f _m MHz	SRF MHz	DCR M ohm	I max mA	MATERIAL
10	20%	1008G100M - **	30	100	>6000	50	1850	ALUMINA
22	20%	1008G220M - **	40	100	2400	60	1450	
33	10%	1008G330K - **	50	100	1700	60	1450	
39		1008G390K - **	50	100	1500	75	1300	
47		1008G470K - **	50	100	1400	75	1300	
56		1008G560K - **	50	100	1200	90	1260	
68		1008G680K - **	50	100	1100	90	1260	
82		1008G820K - **	50	100	1000	150	820	
100		1008G101K - **	50	100	1000	150	820	
120		1008G121K - **	40	100	1000	150	820	
150		1008G151K - **	40	100	825	180	820	
180		1008G181K - **	40	50	770	200	770	
220		1008G221K - **	40	50	690	260	660	
270		1008G271K - **	40	50	650	300	610	
330		1008G331K - **	40	50	570	450	500	
390		1008G391K - **	35	50	520	700	360	
470		1008G471K - **	35	50	490	780	310	
560		1008G561K - **	35	35	440	1200	260	
680		1008G681K - **	35	35	390	2100	200	
820		1008G821K - **	35	35	360	2300	170	
1000		1008G102K - **	35	35	330	2700	170	
1200		1008G122K - **	35	35	310	3000	170	
1500		1008G152K - **	30	35	250	5200	170	

ALUMINA 1008G | 4nH — 1500nH (up to 5600nH on request)