

SPECIFICATIONS

Mechanical

Unmating Force with FPC/FFC: 0.75 kgf min.
Durability: 30 Cycles

Electrical

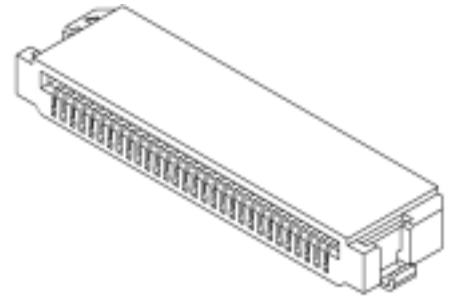
Current Rating: 0.3A DC
Contact Resistance: 40mΩ max. (initial) , 50mΩ max. (after)
Dielectrical Withstanding Voltage: 90V
Insulation Resistance: 50MΩ min.

Physical

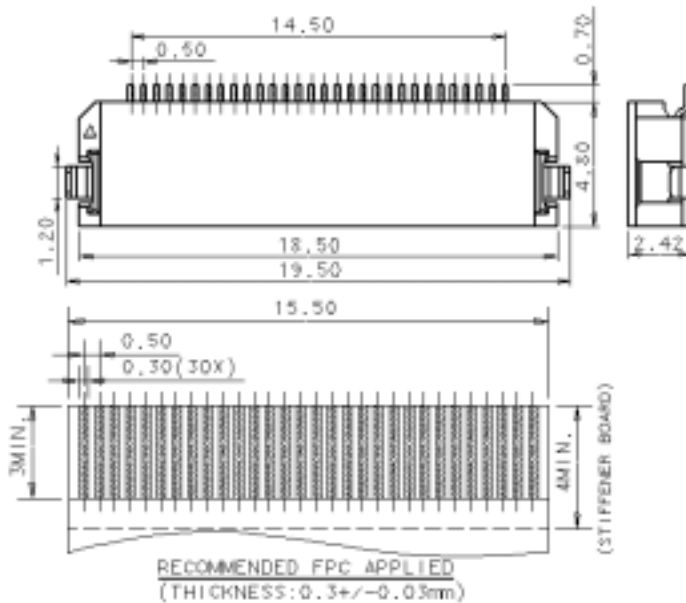
Housing: LCP, UL 94V-0 rated in White Color
Contact: Phosphor Bronze
Plating: 50u" min. Nickel Under Plating
 4u" min Gold Plating on Contact Area
Metal Ear: Brass Alloy
Plating: 50u" min. Nickel Under Plating
 50u" min Tin Plating
Operating Temperature: -40 to +85

FPC/FFC Connector

GB11301-0L21-7F
0.50mm [.019"] Pitch
LIF Type
30Pos.



DRAWING



ORDERING INFORMATION

