

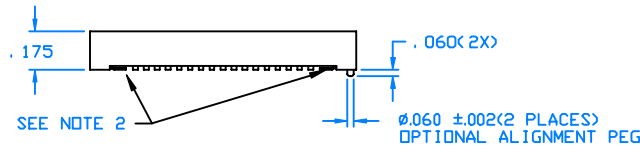
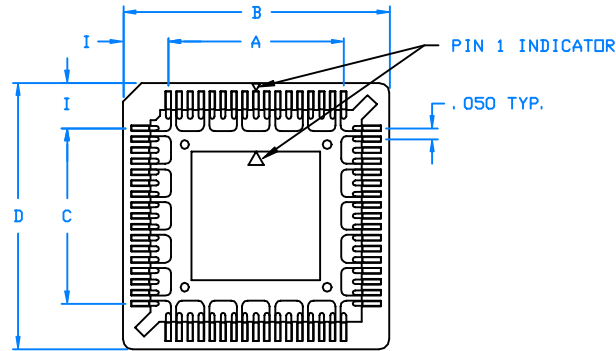
1

2

3

4

ZONE	REV	DESCRIPTION	ECO. NO.	DATE
	A	NEW RELEASE	576	10/14/92
	B	CLARIFIED SOCKET OUTLINE IN PAD LAYOUT, .700 WAS .300 IN COLUMN B FOR 32 POSITION	657	12/21/92
	C	PACKAGING INFORMATION ADDED TO DRAWING	1368	4/22/94
	D	ADDED BERG PART NUMBER TO TABLE.	2048	6/27/95
	E	ADDED BERG PART NUMBER TO TABLE.	2156	10/2/95
	F	ADDED ±.002 TO PEG TOLERANCE	2668	12/17/96



NOTE: 'PLCC-68P-T-SMT-P' SOCKET SHOWN

NOTES:

- THESE SOCKETS ARE PROVIDED BOTH WITH AND WITHOUT THE ALIGNMENT PEGS IN THE TUBE FORMAT. SOCKETS WITHOUT THE ALIGNMENT PEGS ARE ALSO AVAILABLE IN TAPE & REEL FORMAT. SOCKET'S PART NUMBER AND SOCKET DIMENSIONS ARE LISTED IN THE TABLE ON SHEET 2. FOR PACKAGING DIMENSIONS PLEASE SEE SHEET 3 AND SHEET 5.
- THE LEAD FEET BOTTOM SURFACES SHALL BE COPLANAR WITH RESPECT TO ONE ANOTHER WITHIN .004. NO PART OF THE PLASTIC INSULATOR SHALL PROTRUDE BEYOND THE LEAD FEET PLANE, WITH THE EXCEPTION OF THE OPTIONAL ALIGNMENT PEGS.
- THESE SOCKETS ARE DESIGNED FOR USE WITH PLASTIC LEADED CHIP CARRIERS (PLCC'S) THAT MEET THE DIMENSIONAL REQUIREMENTS OF JEDEC PUBLICATION 95, FOR PACKAGE NUMBERS MD-047 AA-AH & MD-052 AA-AE (RECTANGULAR PACKAGES).
- MATERIALS:
 - CONTACT MATERIAL: PHOSPHOR BRONZE
 - CONTACT PLATING: 150 μ" MIN. TIN OVER 40 μ" MIN. NICKEL
 - INSULATOR: PPS, HIGH TEMP., UL 94V-0

5. PERFORMANCE:

- TEMPERATURE RANGE: -55° C TO 125° C
- CONTACT RESISTANCE: 20 MILLIOHMS MAX.
- INSERTION FORCE: SEE TABLE
- EXTRACTION FORCE: SEE TABLE
- DIELECTRIC WITHSTANDING VOLTAGE: 600 VOLTS RMS FOR 60 SEC.
- DURABILITY: 25 CYCLES MINIMUM.
- WEIGHT: SEE TABLE

CUSTOMER PART NO.	BERG <small>McKenzie</small> ELECTRONICS <small>Socinet Division</small>	PRODUCT CODE: PLCC	PART NUMBER: PLCC-[JP-T-SMT-[]
THIRD ANGLE PROJECTION	DRAWN BY: B. DEASY 9/25/92	TITLE : SURFACE MOUNT PLCC SOCKET	
UNLESS OTHERWISE SPECIFIED DIMENSIONS ARE IN INCHES. TOLERANCES ARE: ±.XX ±.XXX ANGLES: — ±.008	ENG. CHK.: ENG. APP.: DO NOT SCALE DRAWING	DRAWING NO. SAL B 020036-000	REV. F
SCALE: NONE AUTO CAD FILE NAME: F:\DWG\CD\PLCC\PLCC-[JP-T-SMT-[] (1 OF 5).DWG		SHT. 1 OF 5	SIZE B
THIS DOCUMENT CONTAINS TRADE SECRET INFORMATION OF MCKENZIE TECHNOLOGY & IS NOT TO BE COPIED OR DISTRIBUTED NOR ARE THE CONCEPTS OR THE DETAILS DISCLOSED BY THE SAME TO BE USED OTHER THAN FOR THE BENEFIT OF MCKENZIE TECHNOLOGY. WITHOUT THE PRIOR WRITTEN CONSENT OF AN OFFICER OF MCKENZIE TECHNOLOGY. THE RECEIPT OR POSSESSION OF THIS DOCUMENT DOES NOT CONVEY ANY RIGHTS TO REPRODUCE IT, DISCLOSE ITS CONTENTS, OR TO MANUFACTURE, USE OR SELL ANYTHING INCORPORATING THE CONCEPTS OR DETAILS DISCLOSED BY IT.			

1

2

3

4

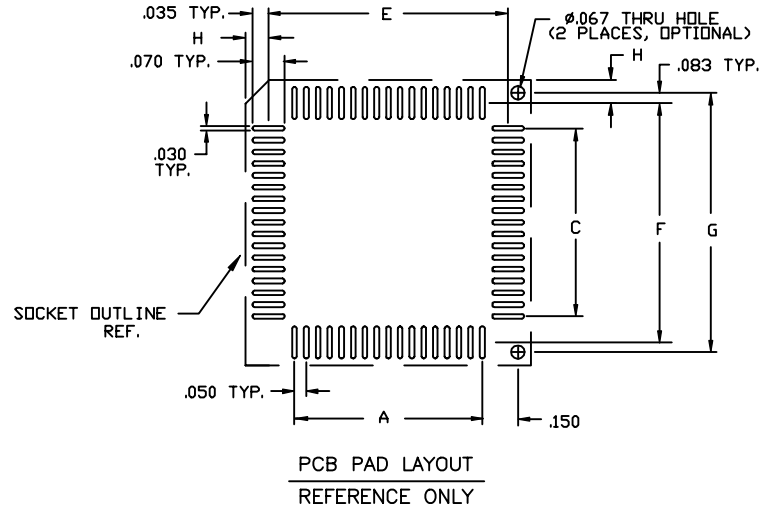
1

2

3

4

ZONE	REV	DESCRIPTION	ECO. NO.	DATE
	F	SEE SHEET 1	---	---



MCKENZIE PART NUMBER	BERG PART NUMBER	MCKENZIE PART NUMBER	BERG PART NUMBER	MCKENZIE PART NUMBER	BERG PART NUMBER	SOCKET DIMENSIONS									INSERTION FORCE (LBF. MAX.)	EXTRACTION FORCE (LBF. MIN.)	WEIGHT (OUNCE)
WITHOUT PEGS		WITH PEGS		WITH TAPE & REEL		A	B	C	D	E	F	G	H	I			
PLCC-20P-T-SMT	69802-120	PLCC-20P-T-SMT-P	69802-020	PLCC-20P-T-SMT-TR	69802-520C	.200	.600	.200	.600	.334	.334	.500	.133	.200	13.0	1.1	.031
PLCC-28P-T-SMT	69802-128	PLCC-28P-T-SMT-P	69802-028	PLCC-28P-T-SMT-TR	69802-528	.300	.700	.300	.700	.434	.434	.600	.133	.200	15.0	1.1	.040
PLCC-32P-T-SMT	69802-132	PLCC-32P-T-SMT-P	69802-032	PLCC-32P-T-SMT-TR	69802-432	.300	.700	.400	.800	.434	.534	.700	.133	.200	15.0	1.5	.044
PLCC-44P-T-SMT	69802-144	PLCC-44P-T-SMT-P	69802-044	PLCC-44P-T-SMT-TR	69802-444	.500	.900	.500	.900	.634	.634	.800	.133	.200	19.0	2.8	.063
PLCC-52P-T-SMT	69802-152	PLCC-52P-T-SMT-P	69802-052	PLCC-52P-T-SMT-TR	69802-452	.600	1.000	.600	1.000	.734	.734	.900	.133	.200	22.0	3.5	.071
PLCC-68P-T-SMT	69802-168	PLCC-68P-T-SMT-P	69802-068	PLCC-68P-T-SMT-TR	69802-468	.800	1.213	.800	1.213	.934	.934	1.100	.140	.207	26.0	5.1	.095
PLCC-84P-T-SMT	69802-184	PLCC-84P-T-SMT-P	69802-084	PLCC-84P-T-SMT-TR	69802-484	1.000	1.413	1.000	1.413	1.134	1.134	1.300	.140	.207	33.0	6.0	.119

CUSTOMER PART NO.

BERG McKenzie
ELECTRONICS Socinet Division
PH. NO. (510) 651-2700
FAX NO. (510) 651-1220

PRODUCT CODE: PART NUMBER:

PLCC

PLCC-[]P-T-SMT-[]

THIRD ANGLE PROJECTION

UNLESS OTHERWISE SPECIFIED DIMENSIONS ARE IN INCHES. TOLERANCES ARE:

±.XX ±.XXX ANGLES:
— ±.008 —

DRAWN BY: B. DEASY 9/25/92

ENG. CHK.:

ENG. APP.:

DO NOT SCALE DRAWING

SCALE: NONE

AUTO CAD FILE NAME: F:\DWG\CD\PLCC\PLCC-[]P-T-SMT-[] (2 OF 5).DWG

TITLE : SURFACE MOUNT PLCC SOCKET

DRAWING NO. SAL B 020036-000

REV. F

THIS DOCUMENT CONTAINS TRADE SECRET INFORMATION OF MCKENZIE TECHNOLOGY & IS NOT TO BE COPIED OR DISTRIBUTED NOR ARE THE CONCEPTS OR THE DETAILS DISCLOSED BY THE SAME TO BE USED OTHER THAN FOR THE BENEFIT OF MCKENZIE TECHNOLOGY. WITHOUT THE PRIOR WRITTEN CONSENT OF AN OFFICER OF MCKENZIE TECHNOLOGY. THE RECEIPT OR POSSESSION OF THIS DOCUMENT DOES NOT CONVEY ANY RIGHTS TO REPRODUCE IT, DISCLOSE ITS CONTENTS, OR TO MANUFACTURE, USE OR SELL ANYTHING INCORPORATING THE CONCEPTS OR DETAILS DISCLOSED BY IT.

SIZE B

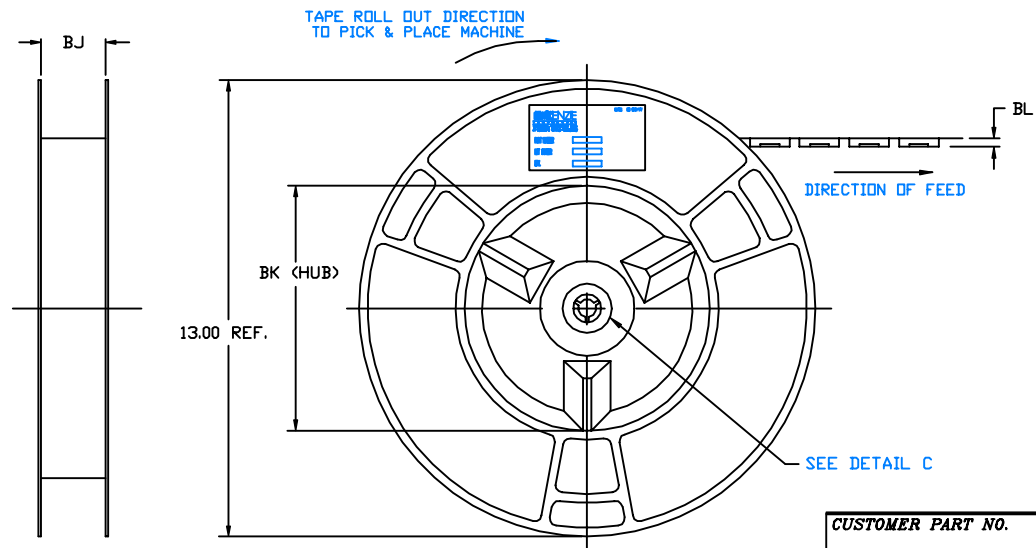
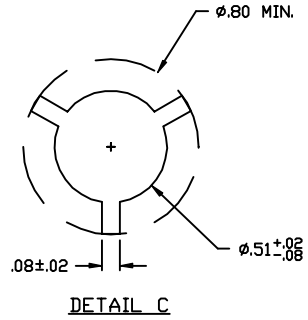
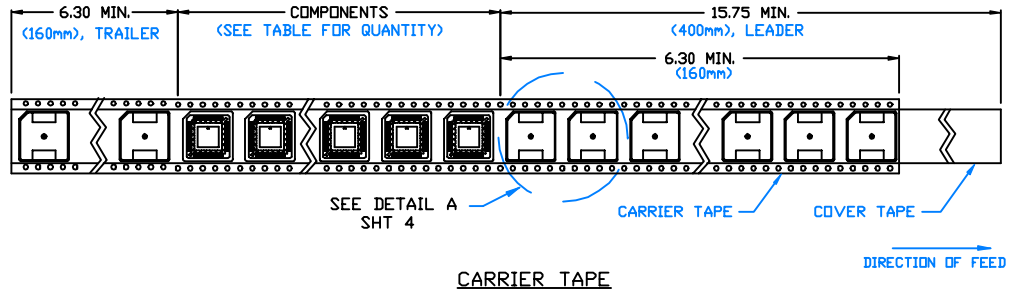
1

2

3

4

ZONE	REV	DESCRIPTION	ECO. NO.	DATE
	F		---	---



- NOTES:
- FOR SOCKETS' DIMENSIONS PLEASE SEE SHEET 1.
 - TAPE MATERIAL: POLYSTYRENE, COLOR: BLACK
 - 10 HOLE PITCH CUMULATIVE TOLERANCE ± 0.08 (± 0.20).
 - THE TAPE FOR THE 20 POSITION SOCKET ONLY HAS ONE ROW OF SPROCKET HOLES ON THE SAME SIDE AS THE CHAMFER (TOP). ALL OTHER TAPES HAVE HOLES ON BOTH SIDE AS SHOWN.
 - ALL DIMENSIONS AND TOLERANCES SHOULD MEET EIA STANDARD EIA-481.
 - THIS TAPE IS THE MODIFIED VERSION FROM 'PLCC-20P-T-SMT-TR' AND THE PITCH (DIM. 'BG') HAS CHANGED FROM 24 MM TO 20 MM.
 - FOR TAPE & REEL PACKAGING DIMENSIONS PLEASE SEE SHEET 4.

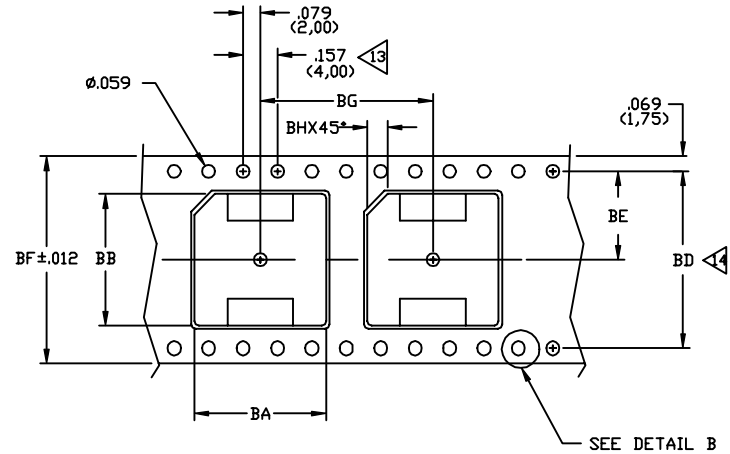
CUSTOMER PART NO.	BERG <small>McKenzie Sociale Division</small> ELECTRONICS	PRODUCT CODE: PLCC	PART NUMBER: PLCC-[] JP-T-SMT-[]
THIRD ANGLE PROJECTION	DRAWN BY: H. CHING	4/22/94	
UNLESS OTHERWISE SPECIFIED DIMENSIONS ARE IN INCHES. TOLERANCES ARE:	ENG. CHK.:	TITLE : SURFACE MOUNT PLCC SOCKETS	
$\pm .XX$ $\pm .XXX$ ANGLES: $\pm 2^\circ$	ENG. APP.:	DRAWING NO. SAL B 020036-000	REV. F
SCALE: NONE		AUTO CAD FILE NAME: F:\DWG\CD\PLCC\PLCC-[] JP-T-SMT-[] (3 OF 5).DWG	
THIS DOCUMENT CONTAINS TRADE SECRET INFORMATION OF MCKENZIE TECHNOLOGY & IS NOT TO BE COPIED OR DISTRIBUTED NOR ARE THE CONCEPTS OR THE DETAILS DISCLOSED BY THE SAME TO BE USED OTHER THAN FOR THE BENEFIT OF MCKENZIE TECHNOLOGY. WITHOUT THE PRIOR WRITTEN CONSENT OF AN OFFICER OF MCKENZIE TECHNOLOGY. THE RECEIPT OR POSSESSION OF THIS DOCUMENT DOES NOT CONVEY ANY RIGHTS TO REPRODUCE IT, DISCLOSE ITS CONTENTS, OR TO MANUFACTURE, USE OR SELL ANYTHING INCORPORATING THE CONCEPTS OR DETAILS DISCLOSED BY IT.			SIZE B

1 2 3 4

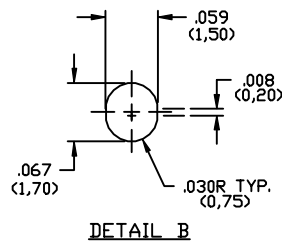
1 2 3 4

ZONE	REV	DESCRIPTION	ECO. NO.	DATE
	F		---	---

MCKENZIE PART NUMBER	BERG PART NO.	PACKAGING DIMENSIONS										QTY./REEL
		BA	BB	BD	BE	BF	BG	BH	BJ	BK	BL	
PLCC-20P-T-SMT-TR	69802-520C	0.630 (16,00)	0.630 (16,00)	---	0.453 (11,50)	0.945 (24,00)	0.945 (24,00)	0.059 (1,50)	0.976 (24,80)	4.00 (100,0)	.220 (5,58)	490
PLCC-28P-T-SMT-TR	69802-528	0.732 (18,60)	0.732 (18,60)	1.118 (28,40)	0.559 (14,20)	1.260 (32,00)	0.945 (24,00)	0.094 (2,40)	1.291 (32,80)	4.00 (100,0)	.252 (6,40)	400
PLCC-32P-T-SMT-TR	69802-432	0.740 (18,80)	0.839 (21,30)	1.118 (28,40)	0.559 (14,20)	1.260 (32,00)	0.945 (24,00)	0.098 (2,50)	1.291 (32,80)	4.00 (100,0)	.252 (6,40)	400
PLCC-44P-T-SMT-TR	69802-444	0.937 (23,80)	0.937 (23,80)	1.591 (40,40)	0.795 (20,20)	1.732 (44,00)	1.260 (32,00)	0.098 (2,50)	1.764 (44,80)	7.00 (177,8)	.252 (6,40)	250
PLCC-52P-T-SMT-TR	69802-452	1.031 (26,20)	1.031 (26,20)	1.591 (40,40)	0.795 (20,20)	1.732 (44,00)	1.260 (32,00)	0.098 (2,50)	1.764 (44,80)	7.00 (177,8)	.252 (6,40)	250
PLCC-68P-T-SMT-TR	69802-468	1.236 (31,40)	1.236 (31,40)	1.591 (40,40)	0.795 (20,20)	1.732 (44,00)	1.417 (36,00)	0.098 (2,50)	1.764 (44,80)	7.00 (177,8)	.252 (6,40)	220
PLCC-84P-T-SMT-TR	69802-484	1.429 (36,30)	1.429 (36,30)	2.063 (52,40)	1.031 (26,20)	2.205 (56,00)	1.575 (40,00)	0.098 (2,50)	2.236 (56,80)	7.00 (177,8)	.252 (6,40)	200
PLCC-20P-T-SMT-TR-M	69802-520	0.630 (16,00)	0.630 (16,00)	---	0.453 (11,50)	0.945 (24,00)	0.787 (20,00)	0.094 (2,40)	0.976 (24,80)	4.00 (100,0)	.252 (6,40)	490

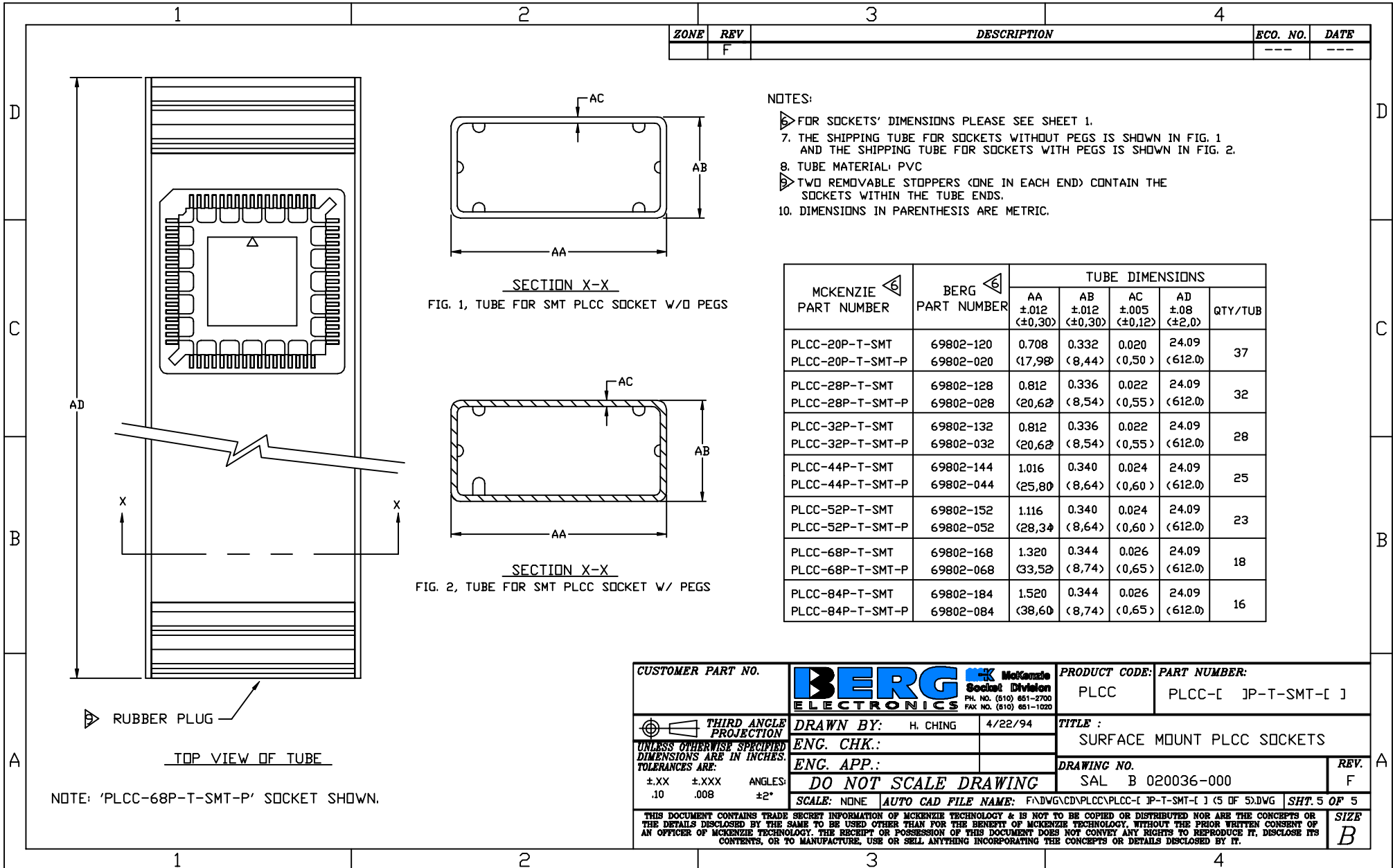


CARRIER TAPE
DETAIL A



DETAIL B

CUSTOMER PART NO.	BERG McKENZIE ELECTRONICS Social Division PH. NO. (510) 651-2700 FAX NO. (510) 651-1220	PRODUCT CODE:	PART NUMBER:
		PLCC	PLCC-[JP-T-SMT-[]
THIRD ANGLE PROJECTION	DRAWN BY: H. CHING 4/22/94	TITLE : SURFACE MOUNT PLCC SOCKETS	
UNLESS OTHERWISE SPECIFIED DIMENSIONS ARE IN INCHES. TOLERANCES ARE:	ENG. CHK.:	DRAWING NO.	REV.
±.XX ±.XXX ANGLES: .10 .008 ±2°	ENG. APP.:	SAL B 020036-000	F
SCALE: NONE AUTO CAD FILE NAME: F:\DWG\CD\PLCC\PLCC-[JP-T-SMT-[] (4 OF 5).DWG		SHT. 4 OF 5	
THIS DOCUMENT CONTAINS TRADE SECRET INFORMATION OF MCKENZIE TECHNOLOGY & IS NOT TO BE COPIED OR DISTRIBUTED NOR ARE THE CONCEPTS OR THE DETAILS DISCLOSED BY THE SAME TO BE USED OTHER THAN FOR THE BENEFIT OF MCKENZIE TECHNOLOGY. WITHOUT THE PRIOR WRITTEN CONSENT OF AN OFFICER OF MCKENZIE TECHNOLOGY. THE RECEIPT OR POSSESSION OF THIS DOCUMENT DOES NOT CONVEY ANY RIGHTS TO REPRODUCE IT, DISCLOSE ITS CONTENTS, OR TO MANUFACTURE, USE OR SELL ANYTHING INCORPORATING THE CONCEPTS OR DETAILS DISCLOSED BY IT.			
			SIZE B



ZONE	REV	DESCRIPTION	ECO. NO.	DATE
	F		---	---

- NOTES:
- ▶ FOR SOCKETS' DIMENSIONS PLEASE SEE SHEET 1.
 - 7. THE SHIPPING TUBE FOR SOCKETS WITHOUT PEGS IS SHOWN IN FIG. 1 AND THE SHIPPING TUBE FOR SOCKETS WITH PEGS IS SHOWN IN FIG. 2.
 - 8. TUBE MATERIAL: PVC
 - ▶ TWO REMOVABLE STOPPERS (ONE IN EACH END) CONTAIN THE SOCKETS WITHIN THE TUBE ENDS.
 - 10. DIMENSIONS IN PARENTHESIS ARE METRIC.

SECTION X-X
FIG. 1, TUBE FOR SMT PLCC SOCKET W/D PEGS

SECTION X-X
FIG. 2, TUBE FOR SMT PLCC SOCKET W/ PEGS

MCKENZIE PART NUMBER	BERG PART NUMBER	TUBE DIMENSIONS				QTY/TUB
		AA ±.012 (±0,30)	AB ±.012 (±0,30)	AC ±.005 (±0,12)	AD ±.08 (±2,0)	
PLCC-20P-T-SMT	69802-120	0.708	0.332	0.020	24.09	37
PLCC-20P-T-SMT-P	69802-020	(17,98)	(8,44)	(0,50)	(612,0)	
PLCC-28P-T-SMT	69802-128	0.812	0.336	0.022	24.09	32
PLCC-28P-T-SMT-P	69802-028	(20,62)	(8,54)	(0,55)	(612,0)	
PLCC-32P-T-SMT	69802-132	0.812	0.336	0.022	24.09	28
PLCC-32P-T-SMT-P	69802-032	(20,62)	(8,54)	(0,55)	(612,0)	
PLCC-44P-T-SMT	69802-144	1.016	0.340	0.024	24.09	25
PLCC-44P-T-SMT-P	69802-044	(25,80)	(8,64)	(0,60)	(612,0)	
PLCC-52P-T-SMT	69802-152	1.116	0.340	0.024	24.09	23
PLCC-52P-T-SMT-P	69802-052	(28,34)	(8,64)	(0,60)	(612,0)	
PLCC-68P-T-SMT	69802-168	1.320	0.344	0.026	24.09	18
PLCC-68P-T-SMT-P	69802-068	(33,52)	(8,74)	(0,65)	(612,0)	
PLCC-84P-T-SMT	69802-184	1.520	0.344	0.026	24.09	16
PLCC-84P-T-SMT-P	69802-084	(38,60)	(8,74)	(0,65)	(612,0)	

NOTE: 'PLCC-68P-T-SMT-P' SOCKET SHOWN.

CUSTOMER PART NO.	BERG <small>McKenzie Social Division</small> ELECTRONICS	PRODUCT CODE: PLCC	PART NUMBER: PLCC-[JP-T-SMT-[]
THIRD ANGLE PROJECTION	DRAWN BY: H. CHING	TITLE : SURFACE MOUNT PLCC SOCKETS	
UNLESS OTHERWISE SPECIFIED DIMENSIONS ARE IN INCHES. TOLERANCES ARE:	ENG. CHK.:	DRAWING NO. SAL B 020036-000	REV. F
±.XX ±.XXX ANGLES: .10 .008 ±2°	ENG. APP.:	DO NOT SCALE DRAWING	
SCALE: NONE		AUTO CAD FILE NAME: F:\DWG\CD\PLCC\PLCC-[JP-T-SMT-[] (5 OF 5).DWG	SHT. 5 OF 5
THIS DOCUMENT CONTAINS TRADE SECRET INFORMATION OF MCKENZIE TECHNOLOGY & IS NOT TO BE COPIED OR DISTRIBUTED NOR ARE THE CONCEPTS OR THE DETAILS DISCLOSED BY THE SAME TO BE USED OTHER THAN FOR THE BENEFIT OF MCKENZIE TECHNOLOGY. WITHOUT THE PRIOR WRITTEN CONSENT OF AN OFFICER OF MCKENZIE TECHNOLOGY. THE RECEIPT OR POSSESSION OF THIS DOCUMENT DOES NOT CONVEY ANY RIGHTS TO REPRODUCE IT, DISCLOSE ITS CONTENTS, OR TO MANUFACTURE, USE OR SELL ANYTHING INCORPORATING THE CONCEPTS OR DETAILS DISCLOSED BY IT.			SIZE B