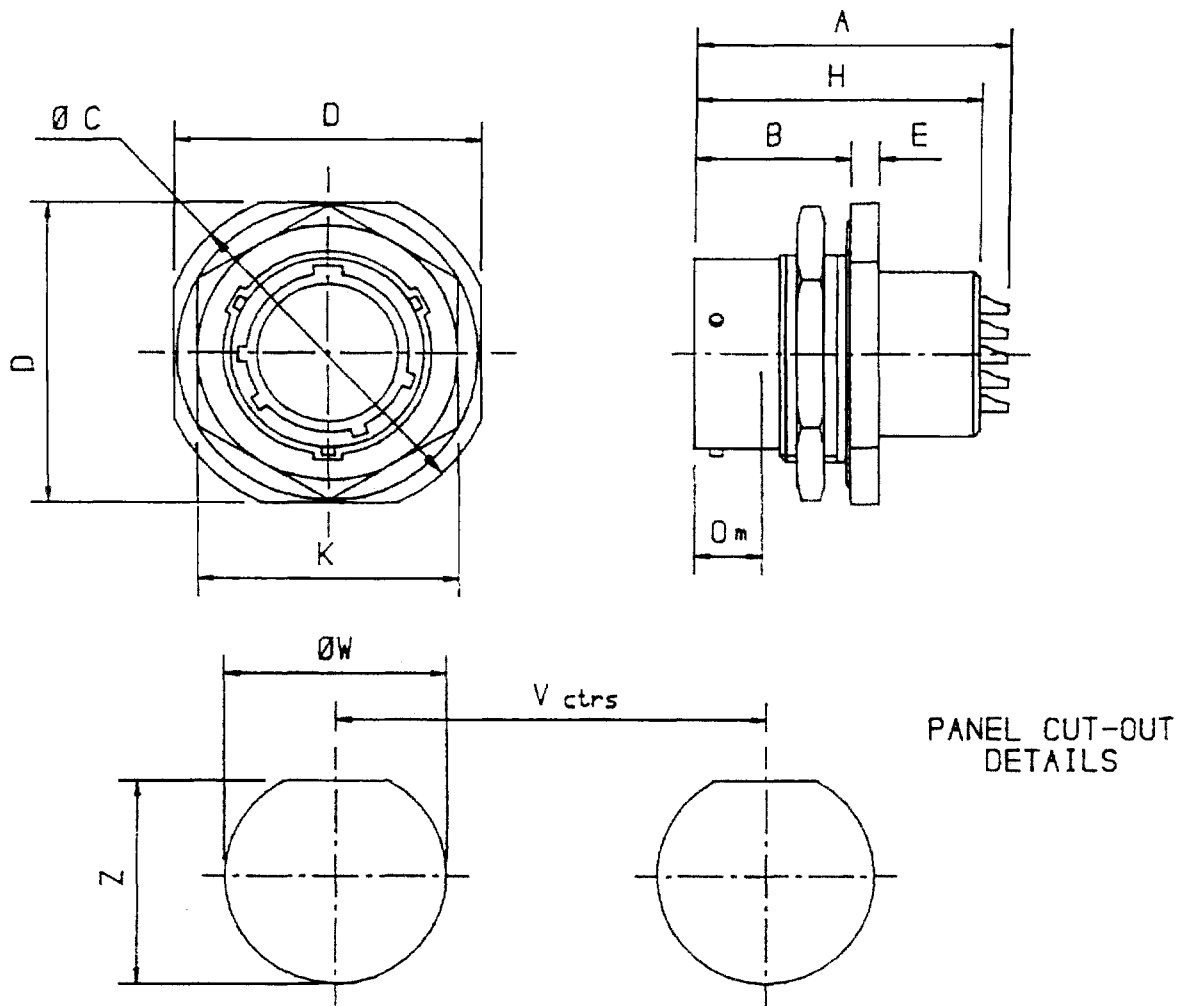


# Style:-ABF5-3100 Filter Receptacle Jam Nut, No Provision For Accessory



PANEL CUT-OUT  
DETAILS

Shell size	A	B	C	D	E	H	K	Om min o'lap	Panel Thickness		V	W	Z
	max	max	max	max	max	max	max		max	min			
08	35.5	18.6	27.5	24.4	3.6	31.7	19.6	7.3	3.3	1.5	24.7	14.6	13.8
10	35.5	18.6	30.8	27.5	3.6	31.7	22.9	7.3	3.3	1.5	28.0	17.7	16.7
12	35.5	18.6	35.6	32.3	3.6	31.7	27.5	7.3	3.3	1.5	32.8	22.5	21.1
14	35.5	18.6	38.7	35.6	3.6	31.7	30.8	7.3	3.3	1.5	25.9	25.7	21.2
16	35.5	18.6	42.0	38.7	3.6	31.7	33.8	7.3	3.3	1.5	39.2	28.9	27.4
18	35.5	18.6	45.0	42.0	3.6	31.7	37.1	7.3	3.3	1.5	43.0	32.0	30.6
20	38.1	23.1	49.8	46.5	4.4	34.1	40.2	8.9	6.4	1.5	47.8	35.2	33.8
22	38.1	23.1	52.9	49.8	4.4	34.1	43.5	8.9	6.4	1.5	50.8	38.4	36.8
24	38.1	23.1	56.2	52.9	4.4	34.1	46.5	8.9	6.4	1.5	54.2	41.6	40.1

All dimensions in mm