




# THT/SMT POWER INDUCTORS

## Toroid - Designed for National's 260kHz Simple Switcher™



-  Tested and recommended by National Semiconductor for the LM267X series
-  Base material meets flammability requirements of UL 94V-0
-  Available in surface mount and through hole versions

### Electrical Specifications @ 25°C— Operating Temperature -40°C to +130°C<sup>7</sup>

Pulse <sup>5</sup> THT Part Number	Pulse <sup>4,5</sup> SMT Part Number	National Part Number	In Circuit Operating Parameters <sup>1</sup>			Nominal DCR (Ω)	Package		
			Nominal Inductance (μH)	Rated Current (A <sub>dc</sub> )	Max <sup>2</sup> ETOP (V-μSec)		Through Hole	Surface Mount	Lead Diameter
P0841NL	—	LM267X-L41	22.8	4.9	23.3	.036	KM-3.0	—	.035
P0845NL	—	LM267X-L45	10.2	4.3	10.0	.026	KM-1.1	—	.031
P0846NL	—	LM267X-L46	14.8	5.0	17.0	.023	KM-2.1	—	.035
P0847NL	—	LM267X-L47	10	5.0	13.0	.025	KM-2.0	—	.031
P0848NL	—	LM267X-L48	50	5.0	40.0	.050	KM-4.0	—	.039
P0849NL	—	LM267X-L49	33	5.0	36.0	.047	KM-4.0	—	.035
P0850NL	—	LM267X-L50	23	5.0	24.0	.026	KM-3.0	—	.043
—	P0841SNL	LM267X-L41	22.8	4.9	23.3	.036	—	HCI-68	
—	P0845SNL	LM267X-L45	10	4.3	10.0	.050	—	LCI-44	
—	P0846SNL	LM267X-L46	15	5.0	17.0	.027	—	LCI-50	
—	P0847SNL	LM267X-L47	11	5.0	13.0	.025	—	LCI-50	
—	P0848SNL	LM267X-L48	52 <sup>6</sup>	5.0	40.0	.025	—	Bigfoot	
—	P0849SNL	LM267X-L49	36 <sup>6</sup>	5.0	36.0	.019	—	Bigfoot	
—	P0850SNL	LM267X-L50	24.7 <sup>6</sup>	5.0	24.0	.013	—	Bigfoot	

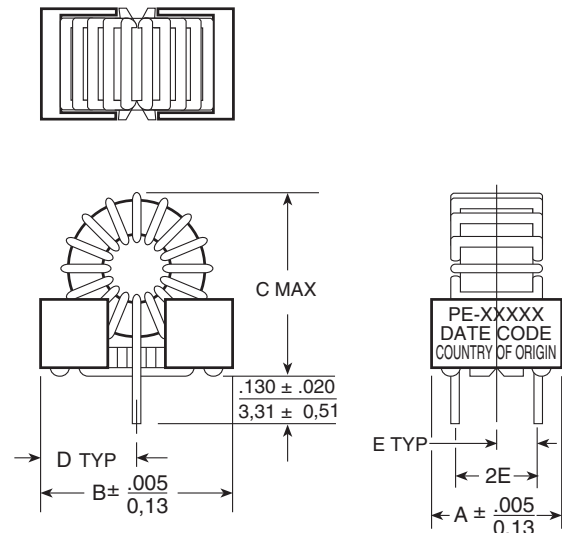
#### Notes :

1. Inductance values may vary ±20%.
2. ETop rated at 260kHz.
3. SIMPLE SWITCHER™ is a trademark of National Semiconductor Corporation.
4. For SMT parts, optional Tape & Reel packaging can be ordered by adding a "T" suffix to the part number (i.e. P0841SNL becomes P0841SNLT). Pulse complies to industry standard tape and reel specification EIA481.
5. The "NL" suffix indicates an RoHS-compliant part number. Non-NL suffixed parts are not necessarily RoHS compliant, but are electrically and mechanically equivalent to NL versions. If a part number does not have the "NL" suffix, but an RoHS compliant version is required, please contact Pulse for availability.
6. Series connection (pins 2-4 connected)
7. The temperature of the component (ambient plus temperature rise) must be within the stated operating temperature range.

### KlipMount™ Series

PKG	A	B	C	D	E
KM-1.1	.350	.580	.715	.290	.110
	8,89	14,74	18,17	7,37	2,80
KM-2.0	.450	.650	.700	.325	.150
	11,43	21,08	17,78	8,26	3,81
KM-2.1	.460	.670	.750	.335	.150
	11,69	17,02	19,05	8,51	3,81
KM-3.0	.450	.830	.950	.415	.150
	11,43	21,09	24,13	10,55	3,81
KM-4.0	.600	.950	1.350	.475	.225
	15,24	24,13	34,29	12,07	5,72

Dimensions:  $\frac{\text{Inches}}{\text{mm}}$   
 Unless otherwise specified, all tolerances are ±  $\frac{.010}{0,25}$



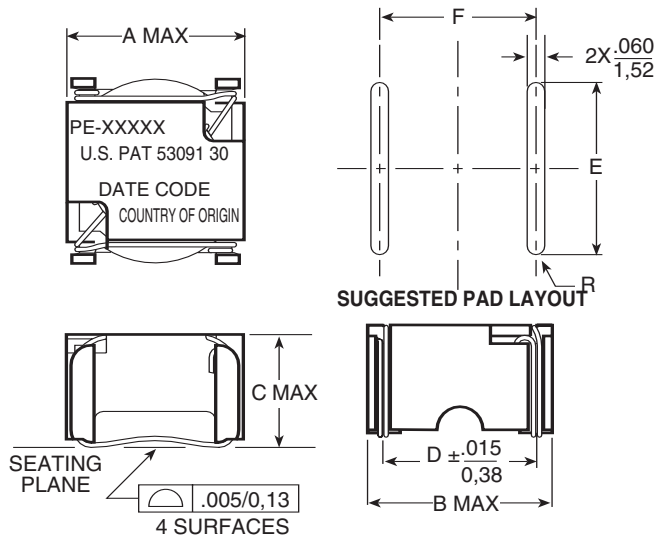
# THT/SMT POWER INDUCTORS

## Toroid - Designed for National's 260kHz Simple Switcher™



### Mechanicals

#### LCI Series



PKG	A	B	C	D	E	F
LCI-44	.600 15,24	.620 15,75	.390 9,91	.500 12,70	.550 13,97	.510 12,95
LCI-50	.670 17,02	.700 17,78	.390 9,91	.580 14,74	.620 15,75	.590 14,99

**Note:**  
Coil must clear seating plane by  $\frac{.010}{0,25}$  MIN

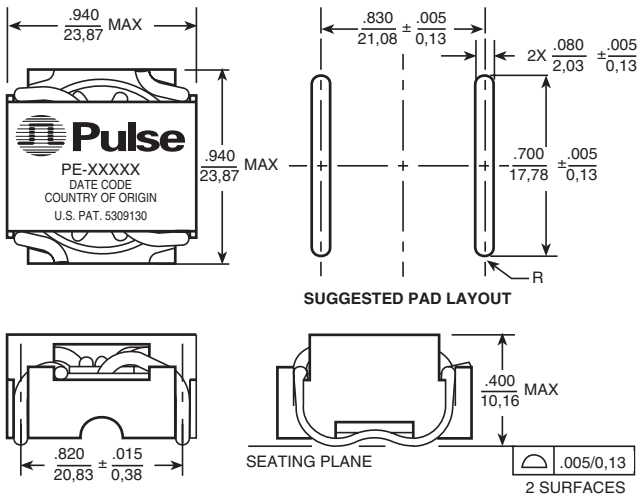
**Dimensions:** Inches / mm

Unless otherwise specified, all tolerances are  $\pm \frac{.010}{0,25}$

- Notes:**
- Dimension "D" is measured across terminal blocks only.
  - Coil must clear seating plane by  $\frac{.010}{0,25}$  MIN.

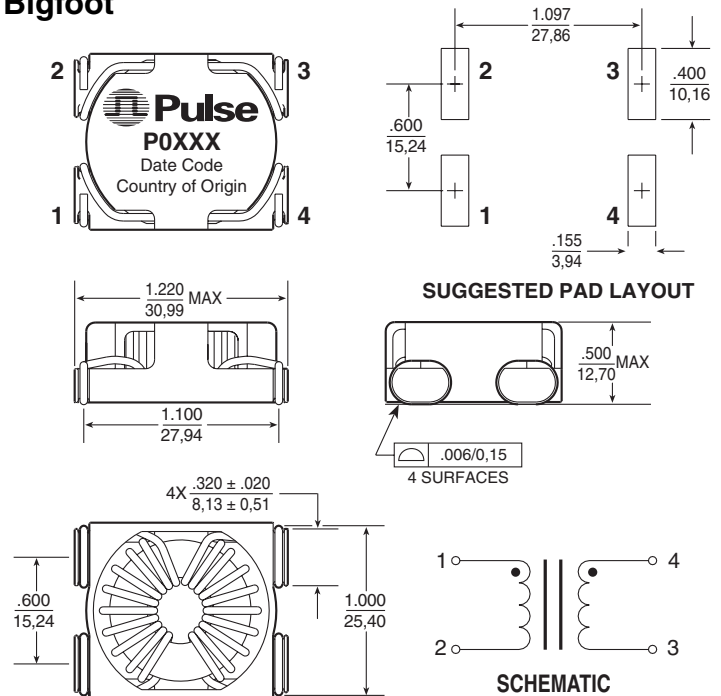
	<b>LCI-44</b>	<b>LCI-50</b>
<b>Weight</b>	.....3.6 grams	.....4.8 grams
<b>Tape &amp; Reel</b>	.....200/reel	.....200/reel
<b>Tube</b>	.....30/tube	.....30/tube

#### HCI-68



<b>Weight</b>	.....12.1 grams
<b>Tape &amp; Reel</b>	.....100/reel
<b>Tube</b>	.....40/tube

#### Bigfoot



<b>Weight</b>	.....18 grams
<b>Tape &amp; Reel</b>	.....20/reel
<b>Tube</b>	.....75/tube