

Actual Size = 5 x 7mm



#### Product Features

- Less than 1.5 ps RMS jitter with fundamental or overtone design
- 2.5V CMOS compatible logic levels
- Pin-compatible with standard 5x7mm packages
- Designed for standard reflow and washing techniques
- Low power standby mode
- Pb-free and RoHS/Green compliant

#### Product Description

The S1614 Series is a 2.5V crystal clock oscillator that achieves superb jitter and stability over a broad range of operating conditions and frequencies. The output clock signal, generated internally with a non-PLL oscillator design, is compatible with LVCMOS logic levels. The device, available on tape and reel, is contained in a 5x7mm surface-mount ceramic package.

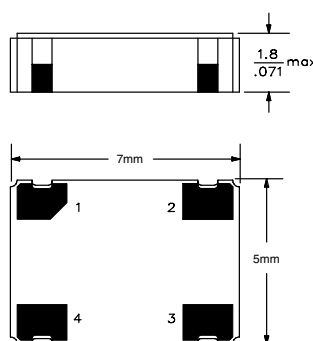
#### Applications

The S1614 Series is an ideal reference clock for applications requiring low jitter or tight stability, including:

- Ethernet
- FibreChannel
- Serial Attached SCSI (SAS)
- Server & Storage platforms
- SONET/SDH linecards
- T1/E1, T3/E3 linecards
- DSLAM
- 802.11a/b/g WiFi



#### Packaging Outline



#### Pin Functions

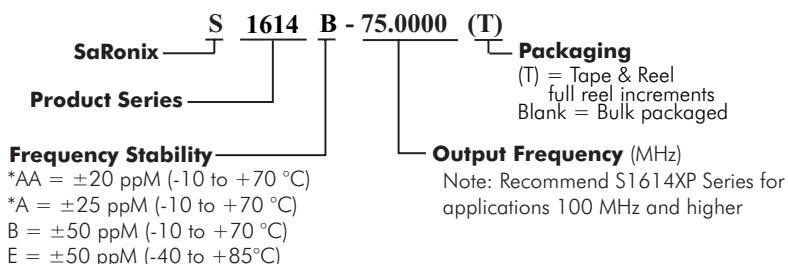
Pin	Function
1	OE Function
2	Ground
3	Clock Output
4	V <sub>DD</sub>

#### Common Frequencies

Contact SaRonix for additional frequencies

1.5440 Mhz	22.0000 MHz	44.7360 MHz
2.0480 MHz	24.5760 MHz	48.0000 MHz
3.6864 MHz	25.0000 MHz	50.0000 MHz
8.0000 MHz	32.0000 MHz	60.0000 MHz
10.0000 MHz	32.7680 MHz	66.0000 MHz
14.3181 MHz	33.0000 MHz	66.6667 MHz
16.0000 MHz	34.3680 MHz	74.2500 MHz
16.3840 MHz	35.3280 MHz	75.0000 MHz
18.4320 MHz	38.8800 MHz	77.7600 MHz
19.4400 MHz	40.0000 MHz	80.0000 MHz
20.0000 MHz	44.0000 MHz	90.0000 MHz

#### Ordering Information



\* Availability varies by frequency.

**Electrical Performance**

Parameter	Min.	Typ.	Max.	Units	Notes
Output frequency	1.544		125	MHz	As specified
Supply voltage	+2.375	+2.5	+2.625	V	
Supply current, output enabled			15	mA	1.544 to 32 MHz
			25		>32 to 50 MHz
			35		>50 to 125 MHz
Supply current, standby mode			10	μA	Output Hi-Z
Frequency stability			±20 to ±50	ppM	See Note 1 below
Operating temperature	-40		+85	°C	As specified
Output logic 0, VOL			10% V <sub>DD</sub>	V	
Output logic 1, VOH	90% V <sub>DD</sub>			V	
Output load	15 pF (max)				
Duty cycle	45		55	%	-40 to +85°C measured 50%VDD
Rise and fall time	up to 32 MHz		10	ns	measured 20/80% of waveform
	>32 to 70 MHz		7		
	>70 to 125 MHz		3		
Jitter, Phase	up to 80 MHz		1.5	ps RMS (1-σ)	10kHz to 20 MHz frequency band
	>80 to 125 MHz		1		
Jitter, Accumulated	up to 80 MHz		5	ps RMS (1-σ)	20.000 adjacent periods
	>80 to 125 MHz		3		
Jitter, Total	up to 80 MHz		50	ps pk-pk	100.000 random periods
	>80 to 125 MHz		30		

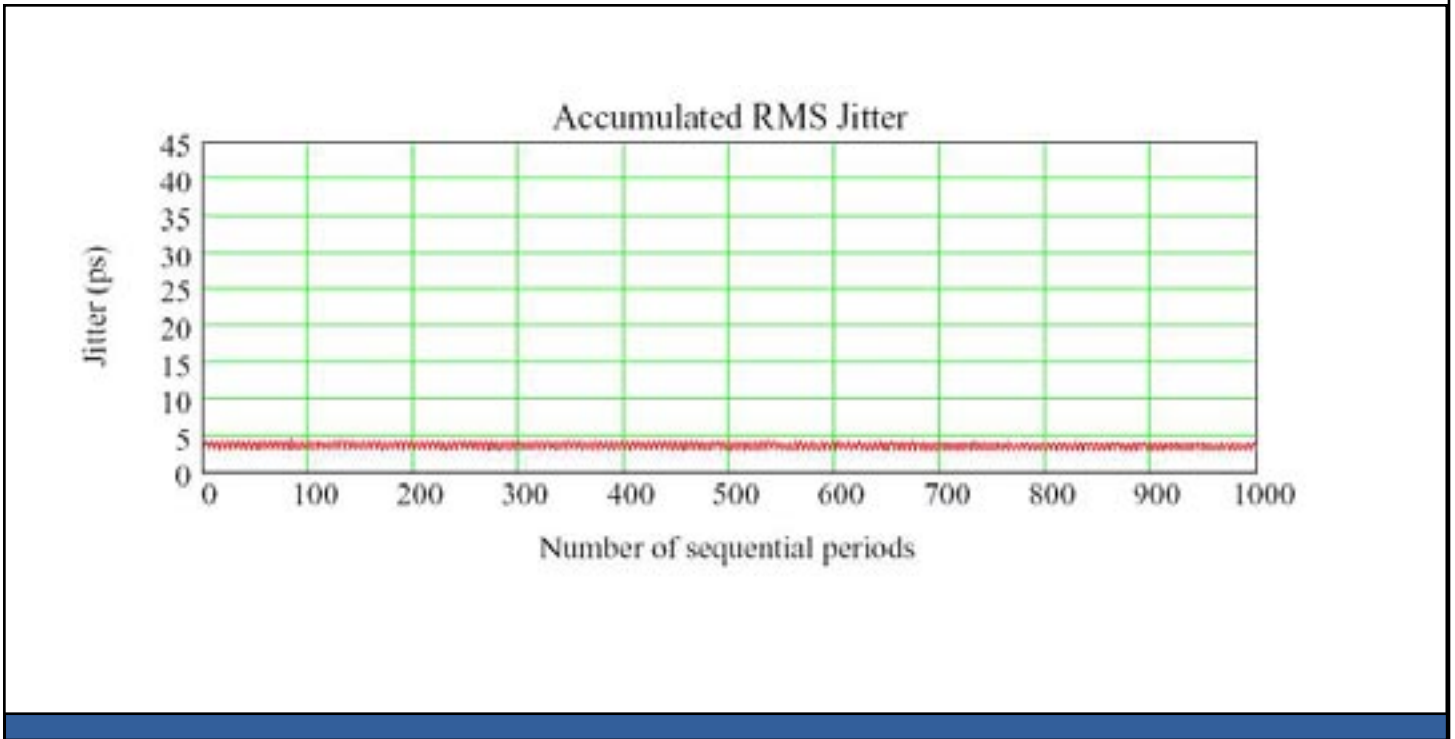
**Notes:**

- As specified. Stability includes all combinations of operating temperature, load changes, rated input (supply) voltage changes, initial calibration tolerance (25°C), aging (1 year at 25°C average effective ambient temperature), shock and vibration.

**Output Enable / Disable Function**

Parameter	Min.	Typ.	Max.	Units	Notes
Input Voltage (pin 1), Output Enable	0.7 V <sub>DD</sub>			V	or open
Input voltage (pin 1), Output Disable (low power standby)			0.3 V <sub>DD</sub>	V	Output is Hi-Z
Internal pullup resistance	50			kΩ	
Output disable delay			100	ns	
Output enable delay			10	ms	

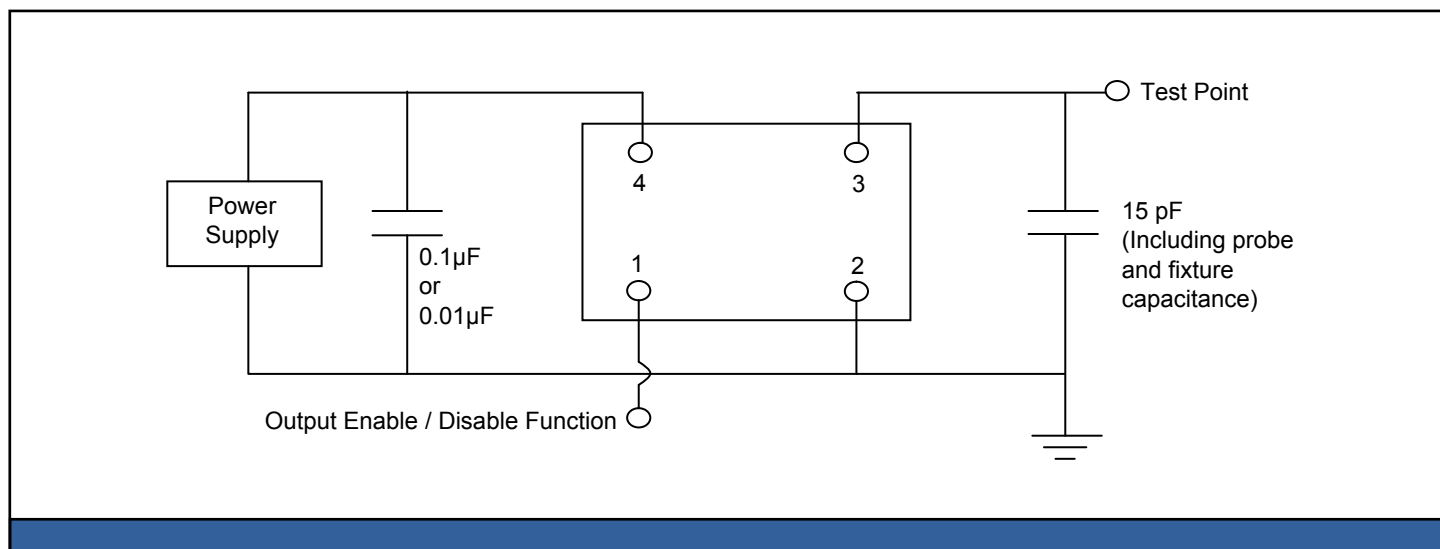
Typical Accumulated Jitter



**Absolute Maximum Ratings**

Parameter	Min.	Typ.	Max.	Units	Notes
Storage temperature	-55		+125	°C	

**Test Circuit**

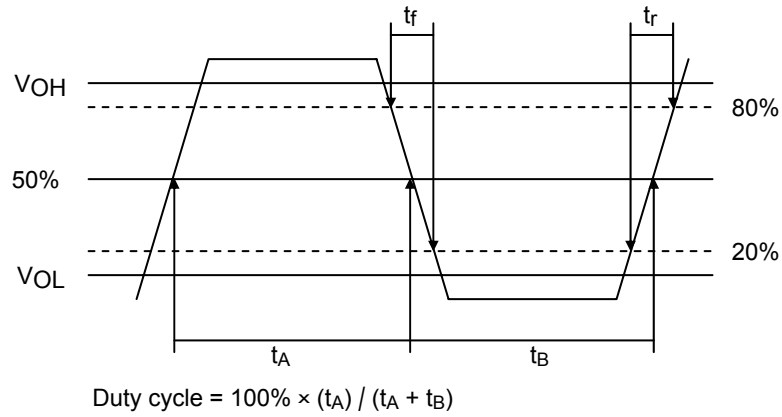


**Reliability Test Ratings**

This product is rated to meet the following test conditions:

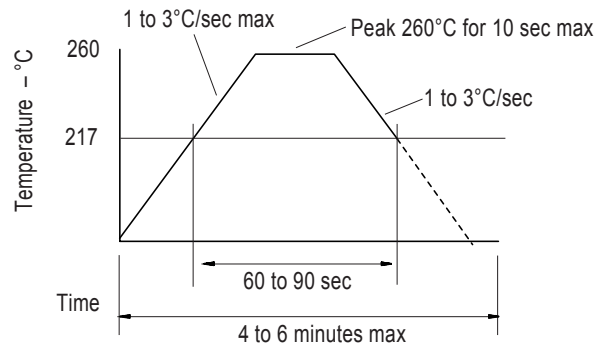
Type	Parameter	Test Condition
Mechanical	Shock	MIL-STD-883, Method 2002, Condition B
Mechanical	Solderability	JESD22-B102-D Method 2 (Preconditioning E)
Mechanical	Terminal strength	MIL-STD-883, Method 2004, Condition D
Mechanical	Gross leak	MIL-STD-883, Method 1014, Condition C
Mechanical	Fine leak	MIL-STD-883, Method 1014, Condition A2 ( $R_1 = 2 \times 10^{-8}$ atm cc/s)
Mechanical	Solvent resistance	MIL-STD-202, Method 215
Environmental	Thermal shock	MIL-STD-883, Method 1011, Condition A
Environmental	Moisture resistance	MIL-STD-883, Method 1004
Environmental	Vibration	MIL-STD-883, Method 2007, Condition A
Environmental	Resistance to soldering heat	J-STD-020C Table 5-2 Pb-free devices (2 cycles max)

**Output Waveform**

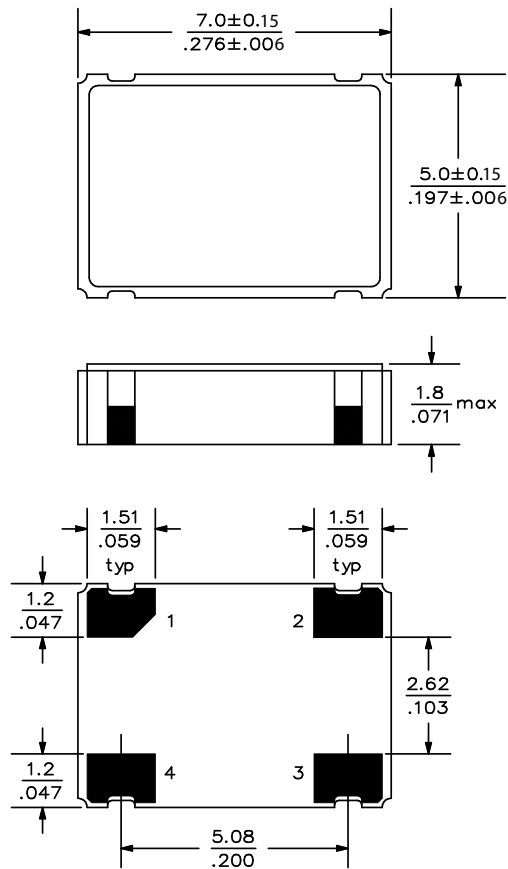


**Reflow Soldering Profile**

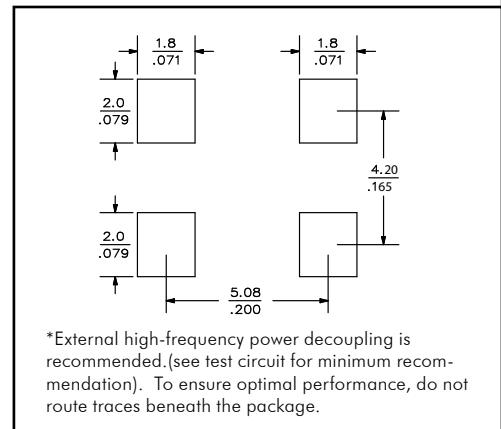
**As per IPC/JEDEC J-STD-020C**



**Mechanical Drawings**



**Recommended Land Pattern\***



Scale: None. Dimensions are in mm/inches.

**Marking LINE 1:** S P X (SaRonix, Model, Stability code)  
**Marking LINE 2:** Frequency (Frequency code)  
**Marking LINE 3:** ● YY WW X (Pin 1, Year, Week, Origin)

\*\*Exact location of markings may vary.