

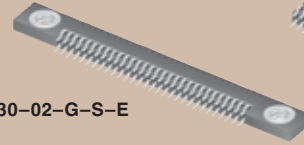
(1,00mm) .03937"

SEI SERIES

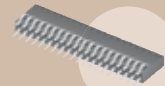
SEI-110-02-GF-S-AT



SEI-130-02-G-S-E



SEI-120-02-GF-S



LOW PROFILE ONE PIECE INTERFACE

SPECIFICATIONS

For complete specifications and recommended PCB layouts see www.samtec.com?SEI

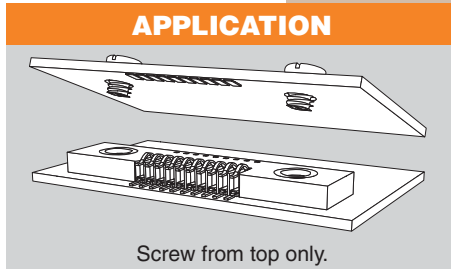
Insulator Material: Liquid Crystal Polymer
Contact Material: Phosphor Bronze
Plating: Au over 50µ" (1,27µm) Ni
Current Rating: 1A @ 80°C ambient
Mating Force: 50g (0,49N) per contact
Voltage Rating: 60VAC
Cycles: 100 min
Contact Deflection: (0,46mm) .018" nominal
Operating Temp Range: -55°C to +125°C
RoHS Compliant: Yes



Processing:

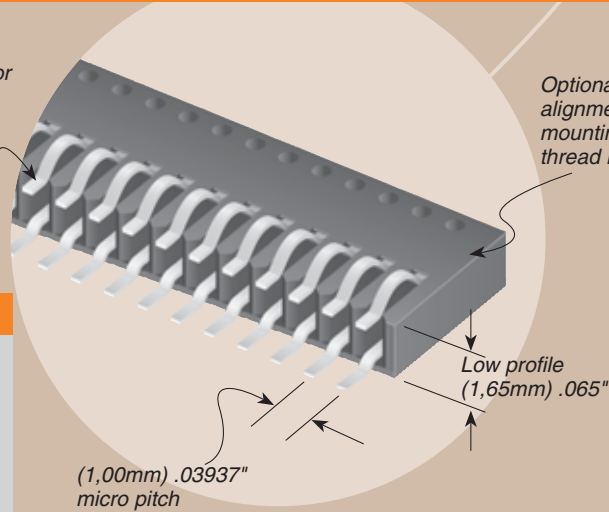
Max Processing Temp: 230°C for 60 seconds, or 260°C for 20 seconds 3x
Lead-Free Solderable: Yes
SMT Lead Coplanarity: (0,10mm) .004" max (05-25) (0,15mm) .006" max (30)

APPLICATION



Phosphor Bronze contact

Optional alignment pins & mounting screw thread inserts



SEI	PINS PER ROW	PLATING OPTION	INSERT OPTION	ALIGNMENT OPTION	OTHER OPTION
05, 10, 15, 20, 25, 30 (Call Samtec for other sizes)		-G = 10µ" (0,25µm) Gold -GF = 3µ" (0,08µm) Gold flash	Leave blank for Short Version (No screw down inserts or holes) -E = #2-56 x 1/16" screw thread -M = 2,00mm x 0,40mm screw thread	Leave blank for no Alignment Pin -AT = Alignment Pin Top Side -AB = Alignment Pin Bottom Side	-TR = Tape & Reel

Technical drawings showing dimensions for the SEI component, including pin pitch, contact height, and alignment options.

Dimensions shown include: (6,10) .240, (4,95) .195, (1,00) .03937 + (0,41) .016, (1,65) .065, (0,31) .012, (1,27) .050, (0,15) .006, (0,46) .018, (0,89) .035 DIA, (1,27) .050, (4,32) .170, (1,27) .050, (0,89) .035 DIA, (4,32) .170, (3,43) .135, ((No. of pins - 1) x (1,00) .03937) + (7,62) .300, Threaded Insert (2).

Note: Some lengths, styles and options are non-standard, non-returnable.

Due to technical progress, all designs, specifications and components are subject to change without notice.

WWW.SAMTEC.COM