

FEATURES AND SPECIFICATIONS

Features and Benefits

- 15 circuits female high-density design
- Fork board lock provides positive PCB holddown
- Grounding indents in metal shell ensure reliable ground connection
- Single in-line tail pattern
- Less PCB space required

Reference Information

Product Specification: PS-89220

Packaging: Tube or tray

Designed In: Millimeters

Electrical

Current: 1.0A

Contact Resistance: 40mΩ max.

Dielectric Withstanding Voltage: 1000V

Insulation Resistance: 1000 MΩ min.

Physical

Housing: Black LCP, UL 94V-0

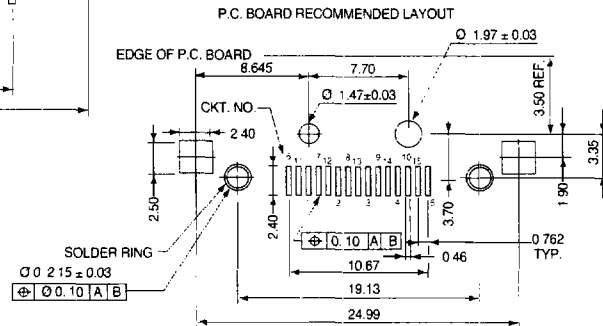
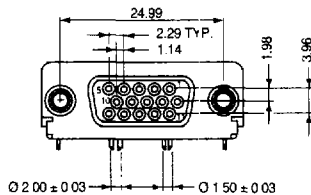
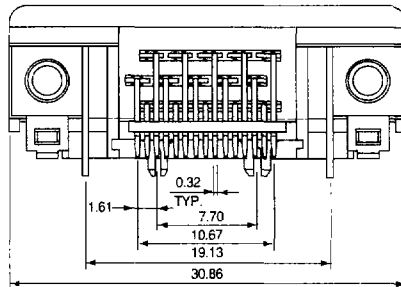
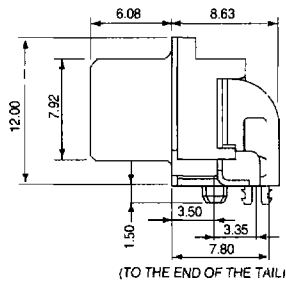
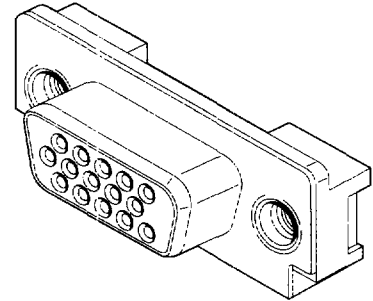
Contact: Phosphor Bronze

Plating: Select Gold

Temperature: -55 to +105°C

molex® Slimline D-Subminiature Receptacle

89220 Female, High Density



Shielded I/O

ORDERING INFORMATION

89220 -

X
A

X
B

X
C

X
D

A	
Packaging	
3	Tube
7	Tray

B	
Plating	
1	0.75μm (30μ") Gold min.
2	0.33μm (15μ") Gold min.

C	
Screw Type	
0	Without screws
1	M2.6 screw with M2.6 inner thread, hex length 5.00mm
3	4-40 screw with 4-40 inner thread, hex length 5.00mm

D	
Accessories	
0	4-40 flush insert only
1	M2.6 flush insert only
2	Attached screw
3	Attached screw with washer

Note: Natural housing color and version without peg optional, contact factory