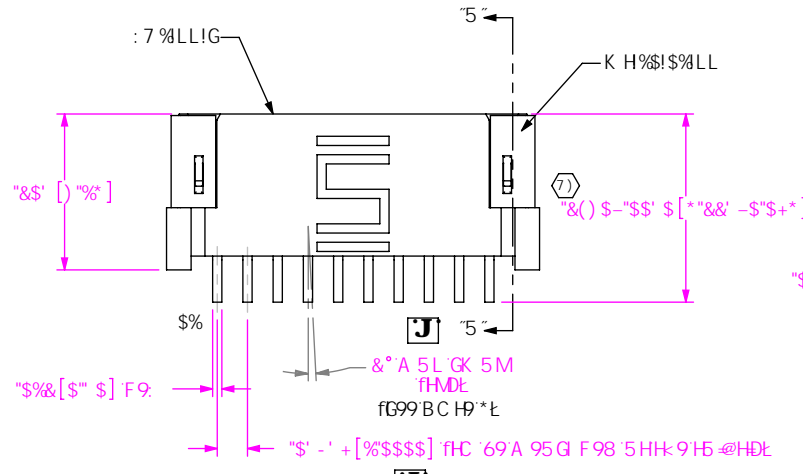
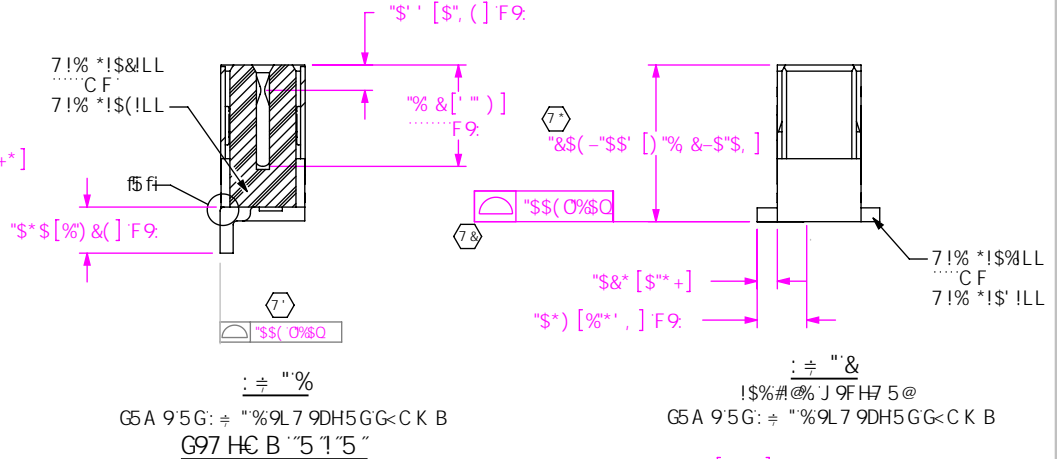
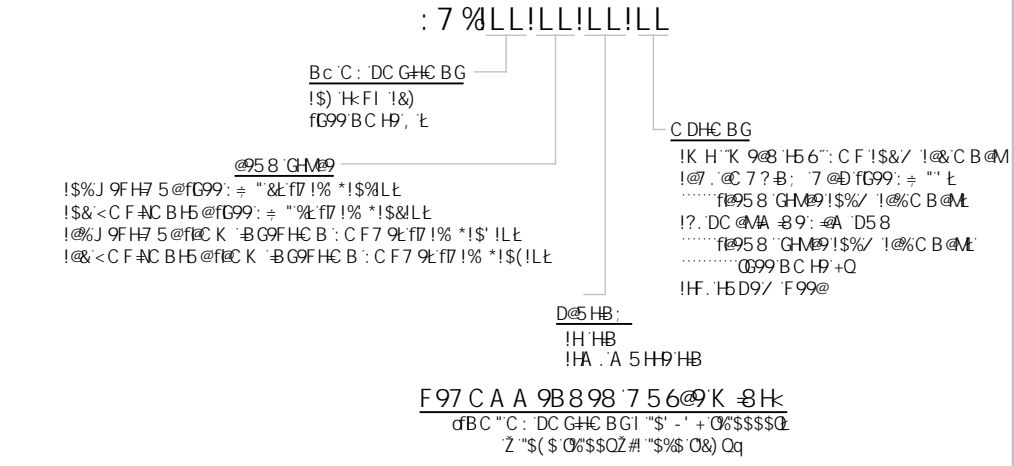
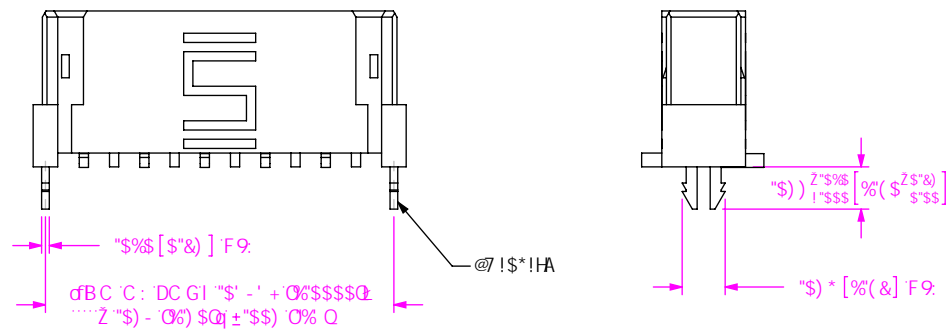


!\$%#1@%Q 9FH7 5@958'GHM9GQ




!\$&#!@%Q C F AC BH5 @958'GHM9GQ

: ± " "
!@ 'C DHC B
G5A 95G: ± "%9L7 9DH5GG<C K B

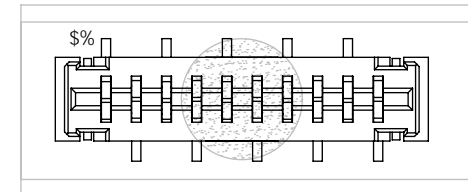
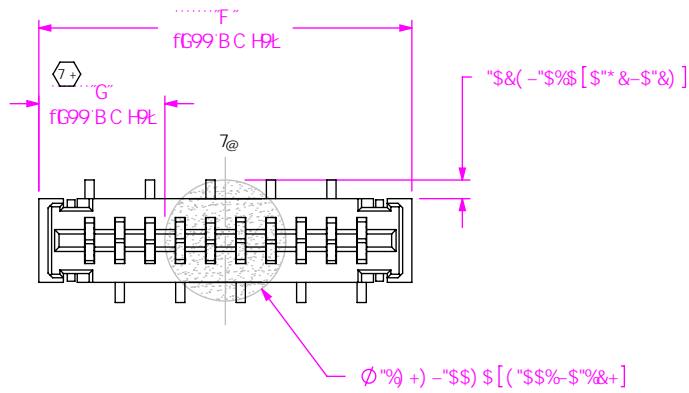


BC H9G
%"(7) " "F9DF9G9BHG'5 7 F #7 5 @8-A 9BGC B"
&"7 C D@5B5F HMC "69K 4K-B "\$\$(L"
" "6l FF 5 @C K 5B7 9. "\$\$\$) Q\$', 'QA 5L"
("A 5L-A I A 7 I H: @G<. "\$%\$ Q&) Q
" "A -B A I A DI G<C I H: CF7 9. " " @"
* "H5 @GK 5MA I GH69 B' G5A 98 F97 HC B
" "C B '5 @7 C BH5 7 HH5 @G"
+ " ?5 DHC B D58 fl?L 5 J 5 -@6@9 C B 5 @DC GHC BG: C F @958'GHM9
" "1\$% / !@%fG99: ± " "(L"
, "1\$) H-FI !8) DC GHC BG5 F9 & D5 FHGD9F 5B8 F9E I F9A I @#7 I HHB; "

<p>I B @9G: C H: 9FK -69' @D97 ± 98Z 8-A 9BGC BG5 F9-B 'B7 <9G" HC @F5B7 9G 5F9. 897 A 5@G:5B: @9G "LL ± "\$%0' O&" "LLL ± "\$\$) 0% Q "LLLL ± "\$\$&\$) 0, \$ Q</p>	<p>D F C D F 9 H 5 F M B C H 9 H: G8C 71A 9B H7 C B H 5 B G B: C F A 5 H C B 7 C B: 8 9 B H 5 @5 B 8 D F C D F 9 H 5 F M C G 5 A H 7 2 B 7 * 5 B 8 G: 5 @B C H 6 9 F 9 D F C B I 7 9 B C F H 5 B G 9 F 9 B H C C H: 9 F B C 7 I A 9 B H G C F 8 4 7 @C 9 8 H C C H: 9 F G C F I 9 8: C F 5 B M D I F D C 9 C H: 9 F H 5 B H 5 H K <7 < H K 5 G C 6 5 8 9 8 K H C I H H: 9 9 L D F 9 G 9 8 K F H 9 B 7 C B 9 8 H C: G 5 A H 7 2 B 7 "</p>	 <p>) & \$ D5 F? 95 GH6 @ 8 Z B 9K 5 @ 5 B M - B (+) \$ D < C B 9; % & - ((! * +) 5 L; % & - (,) \$ (+ Y I A U J; b z A G 5 A H 7 W a W X Y.) ' &&</p>
<p>8 C ' B C H 7 5 @ 9 8 F 5 K B: G: 9 9 H 7 5 @ 9 (% < C I G B; : 6 @ 7 ? @ 7 D 7 C B H 5 7 H D < C G D < C F ' 6 F C B N 9' K 9 @ 8 H 5 6 G ' 6 F 5 G G</p>	<p>8 9 6 7 F @ H C B: % A ' A C 7 ? 9 H 8 K: " B C " : 7 % LL! LL! LL! LL! 6 M ; " D I F G ' # / @ / - - G < 9 9 H % C : &</p>	<p>: ± " " !@ 'C DHC B G5A 95G: ± "%9L7 9DH5GG<C K B</p>

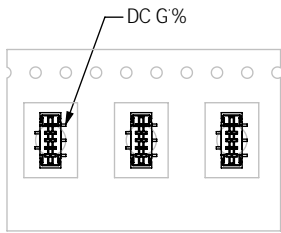
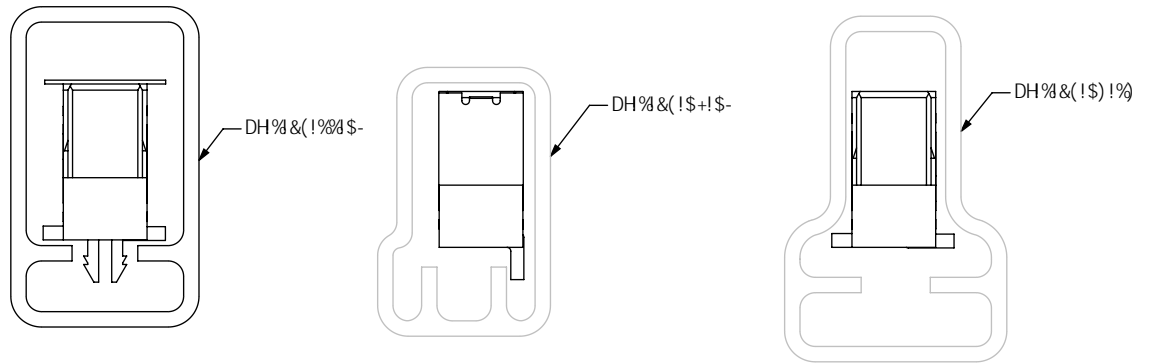
: ± "(
 !?. DC @MA 89: @A 'D58
 GM@9!\$%/ '1@%CB@M

BC H9: "F" 11 G98 'A 95G F98 '8 A 9B G€ B 'F9: ±
G"1 (dIF 1%) +) 'Q "\$SQ#&q ± "\$&\$ O) %Q

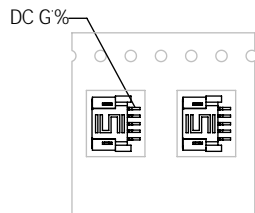


DC G#C B', \$%HC '69@C 75H8 '5GG<C K B
 K #K DC G#C B', \$%B '8 # 97 HC B C: '5FFC K 'C B H 69
 fd?; "J -9K : C F ! \$ % # @ % < C K B E

D57 ?5; B; 'H 69J -9K G



H5D9/ 'F99@J -9K : C F J 9FH7 5 @D5FH6



H5D9/ 'F99@J -9K : C F ' < C F # C B H 5 @D5FH6

I G9F '8 # 97 HC B C: '1 BF 99@B;
DC 7 ? 9HGBC H8 9H5 -@8

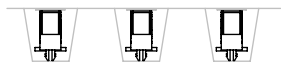


TABLE 2

LEAD	OPTION	PACKAGING TUBE	PLUG
-X2	NONE, -WT	PT-1-24-07-09	TP-24-02
-X1	NONE	PT-1-24-05-15	TP-24
-X1	-K, -LC, -K-LC	PT-1-24-11-09	TP-09

D F C D F -9 H 5 F M B C H 9
 H: € B C 7 1 A 9 8 H 7 C B H 5 B G B: C F A 5 H C B
 7 C B: @ 9 8 H 5 9 5 B 8 D F C D F 9 4 5 F M C
 G S A H 9 2 4 7 * 5 8 8 G: 5 @ @ B C H 6 9 F 9 0 F C 8 1 7 9 8
 C F H F 5 B G 9 F 9 8 H C C H: 9 F 8 C 7 1 A 9 8 H 6 C F
 8 4 7 @ C 9 8 H C C H: 9 F G C F 1 9 8 : C F 5 B M
 D I F D C 9 9 C H: 9 F H: 5 B H: 5 H K < 7 < # H 5 G
 C 6 H 5 B 9 8 K # C I H H: 9 9 L D F 9 0 9 8 K F # H 8
 7 C B 9 8 H C: G S A H 9 2 4 7 *

8 C ' B C H G 7 5 @ 9 8 F 5 K B:
 G: 9 9 H G 7 5 @ 9 (: %



) & \$ D 5 F ? 9 5 G H 6 @ 8 2 B 9 K ' 5 @ 5 B M B ' (+) \$
 D < C B 9 ; % & - ((! * + ' 5 L ; % & - (!) \$ (+
 Y I A U J ; . b z 4 G S A H 9 7 ' W c a W E X Y .) ' & &

8 9 G 7 F @ H C B:
 % A ' G C 7 ? 9 H
 8 K : " B C *
 : 7 % @ L L L ! L L ! L L L L
 6 M ; " D I F J € ' # % @ # % - - G < 9 9 H & C : &