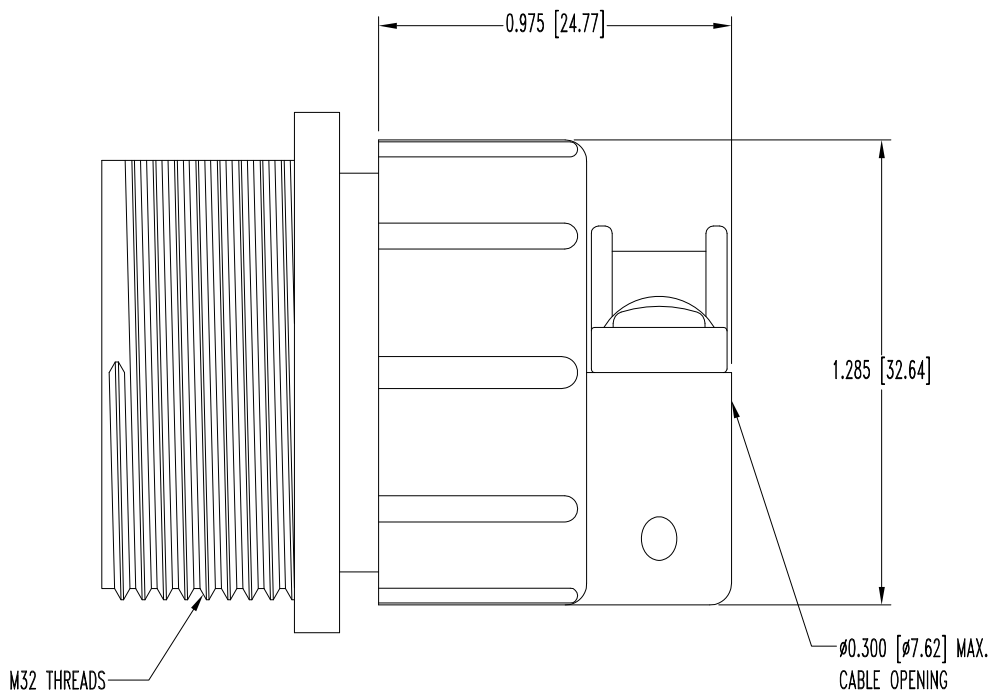
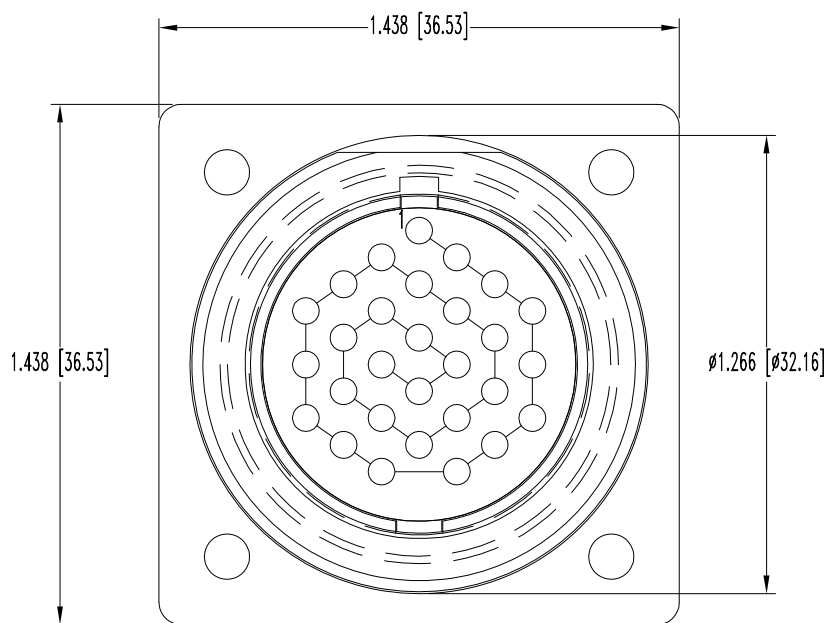


THIS DRAWING CONTAINS INFORMATION PROPRIETARY TO POSITRONIC AND ITS SUBSIDIARIES. POSITRONIC BELIEVES THE DATA ON THIS DRAWING TO BE RELIABLE, SINCE THE TECHNICAL INFORMATION IS GIVEN FREE OF CHARGE, THE USER EMPLOYS SUCH INFORMATION AT HIS OWN DISCRETION AND RISK. POSITRONIC ASSUMES NO RESPONSIBILITY FOR RESULTS OBTAINED OR DAMAGES INCURRED FROM USE OF SUCH INFORMATION IN WHOLE OR IN PART.

DATE	REV	REVISION RECORD	APP	DR	CK
5-14-10	NC	ECO 32490	TK	BS	TK



NOTES:

1. MATERIALS AND FINISHES:

- INSULATOR: GLASS FILLED DAP, SDG-F, UL 94V-0, COLOR: BLACK.
- HOOD AND CABLE CLAMPS: GLASS FILLED POLYESTER, UL 94V-0, COLOR: BLACK.
- HOUSING: GLASS FILLED POLYESTER, UL 94V-0, COLOR: BLACK.
- SCREWS: STAINLESS STEEL, PASSIVATED.

2. DETAILED PRODUCT, MECHANICAL, AND ELECTRICAL INFORMATION IS AVAILABLE IN THE LATEST FRONT RUNNER PRODUCT PUBLICATION. VISIT CONNECTPOSITRONIC.COM/PRODUCTS/50/FRONTRUNNER OR CONNECTPOSITRONIC.COM.

3. DIMENSIONS ARE IN INCHES [MILLIMETERS].

	POSITRONIC INDUSTRIES INC. www.connectpositronic.com		FSCM 28198
	DECIMAL TOL. ± 0.015 [0.38]	FRONT RUNNER	SCALE N.T.S.
ANGULAR TOL. ± 5°	DATE 5-14-10	DRAWING NUMBER SK11500	APPROVED BY T KEPLEY
TITLE FR19MF2922K2		REV. NC	