

CARD SLOT THICKNESS	"A"	"G"
-02	.072 [1.83]	.0265[.673]

EDGE MOUNT OPTION	"B"	"C"	"D"	"E"	"F"
-EM1	.016 [.41]	.027 [.69]	.185 [4.70]	.05 [1.3]	.126 [3.20]
-EM2	.054 [1.37]	.058 [1.47]	.195 [4.95]	.04 [1.0]	.108 [2.74]

MEC1-1XX-XX-XX-D-EMX-XX

No OF POSITIONS

-05, -08, -20, -30, -40, -50, -60 & -70 (PER ROW)

CARD SLOT THICKNESS

-02: .062 THICK CARD (USE MEC1-XX-S-D-EMX-X) (SEE TABLE 1)

PLATING

-F: FLASH GOLD (USE C-150-07-F-P)
 -L: LIGHT SELECTIVE GOLD (USE C-150-07-L-P)
 -S: SELECTIVE GOLD (USE C-150-07-S-P)
 -FM: FLASH GOLD SELECTIVE, MATTE TIN TAIL (USE C-150-07-F-P)
 -LM: LIGHT SELECTIVE GOLD, MATTE TIN TAIL (USE C-150-07-L-P)
 -SM: SELECTIVE GOLD, MATTE TIN TAIL (USE C-150-07-S-P)

OPTIONS

-NP: NO POLARIZED POSITION (USE MEC1-XX-X-D-EMX-N) (ONLY AVAILABLE ON -05, -08, -20 & -30 POSITIONS)
 -TR: (SEE PAGE 2 -TR PACKAGE VIEW, NOT AVAILABLE FOR -60 OR -70 POS.)
 -BLANK: BODY IS POLARIZED

EDGE MOUNT OPTION

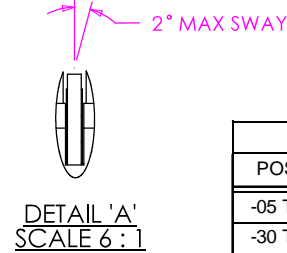
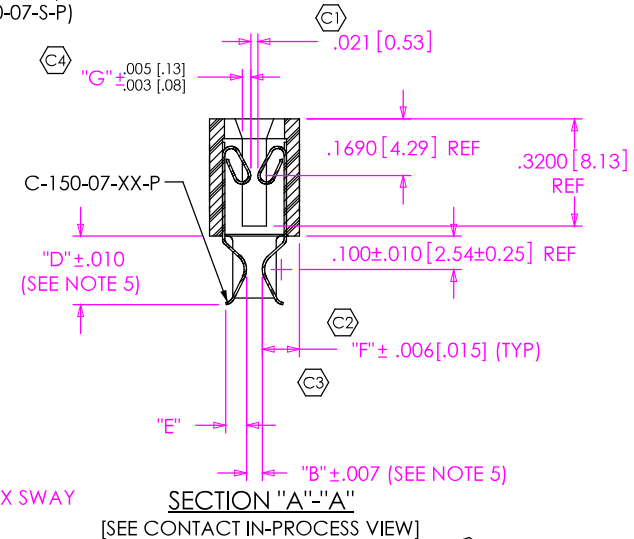
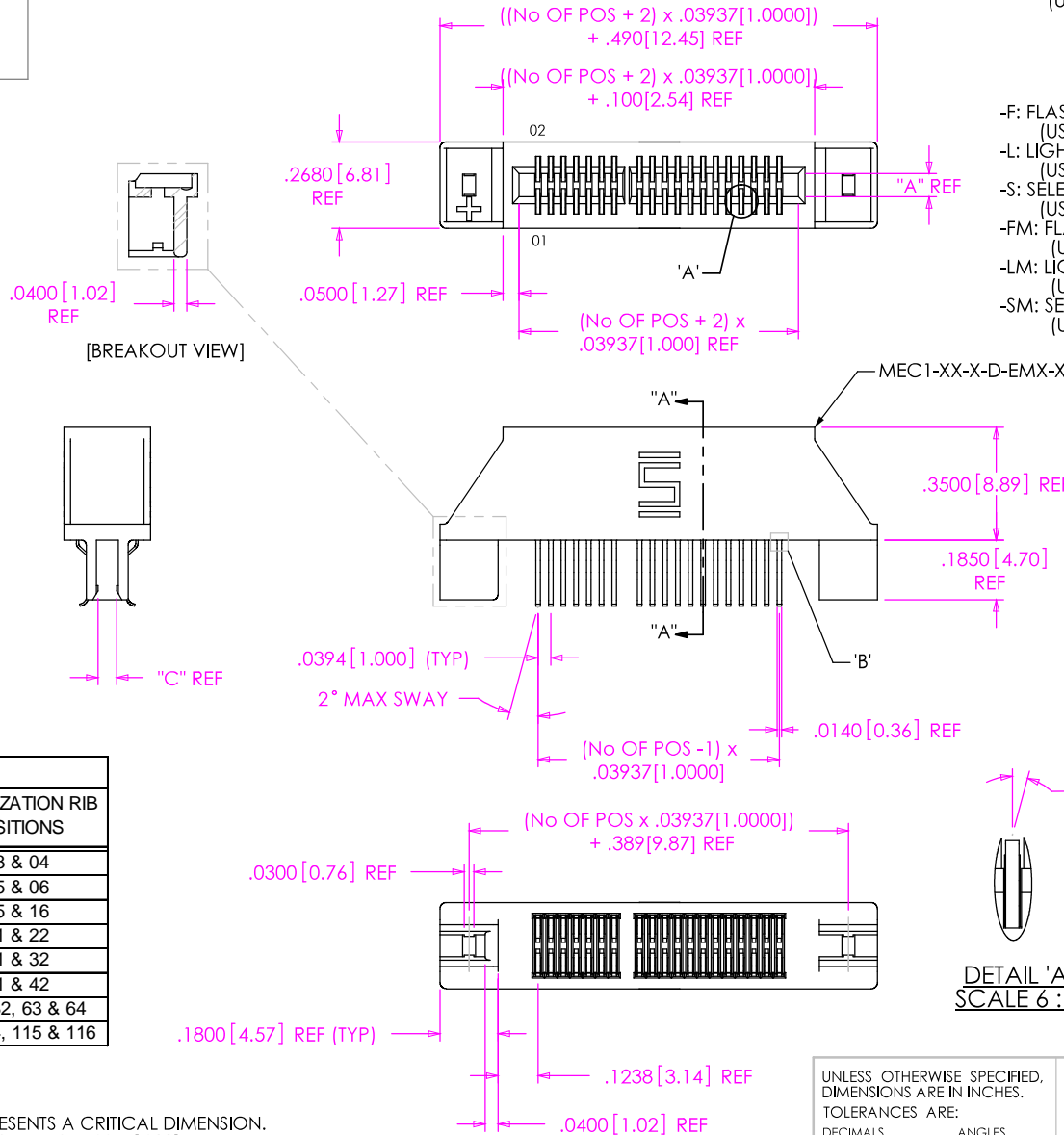
-EM1: .031 THICK PCB
 -EM2: .062 THICK PCB (SEE TABLE 3)

ROW SPECIFICATION

-D: DOUBLE (USE MEC1-XX-X-D-EMX-X)

* NOT ENGINEERING APPROVED

DO NOT SCALE FROM THIS PRINT



POSITIONS	POLARIZATION RIB POSITIONS
-05	03 & 04
-08	05 & 06
-20	15 & 16
-40	31 & 32
-50	41 & 42
-60	31 & 32, 63 & 64
-70	53 & 54, 115 & 116

POSITIONS	MAX BOW (T/B)
-05 THRU -20	.0025[.064]
-30 THRU -50	.0040[.102]
-60 THRU -70	.0055[.140]

- NOTES:
- ⊕ REPRESENTS A CRITICAL DIMENSION.
 - BURR ALLOWANCE: .0015[.038] MAX.
 - MINIMUM PUSHOUT FORCE: .5 LB.
 - DELETED.
 - .020[.51] MAX VARIATION ON ONE PART.
 - .0040[.102] MAX ALLOWABLE BURR ON TAILS.
 - DELETED.
 - .0050[.127] MAX BARB PROTRUSION BELOW BODY.
 - PART TO BE TRAY PACKAGED USING TRAY-XX-01.

UNLESS OTHERWISE SPECIFIED, DIMENSIONS ARE IN INCHES. TOLERANCES ARE:
 DECIMALS ANGLES
 .XX: ±.01 [.3] 2°
 .XXX: ±.005 [.13]
 .XXXX: ±.0020 [.051]

PROPRIETARY NOTE
 THIS DOCUMENT CONTAINS INFORMATION CONFIDENTIAL AND PROPRIETARY TO SAMTEC, INC. AND SHALL NOT BE REPRODUCED OR TRANSFERRED TO OTHER DOCUMENTS OR DISCLOSED TO OTHERS OR USED FOR ANY PURPOSE OTHER THAN THAT WHICH IT WAS OBTAINED WITHOUT THE EXPRESSED WRITTEN CONSENT OF SAMTEC, INC.

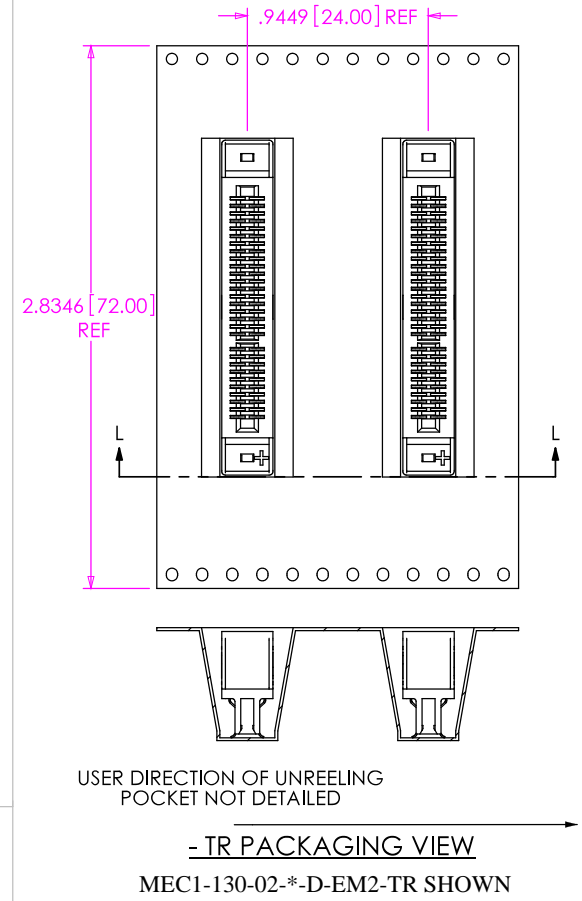
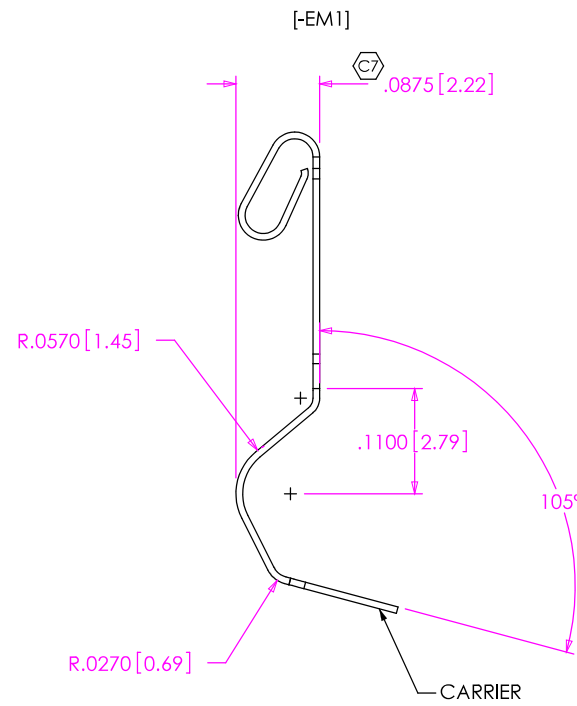
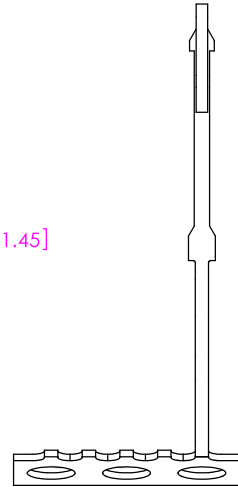
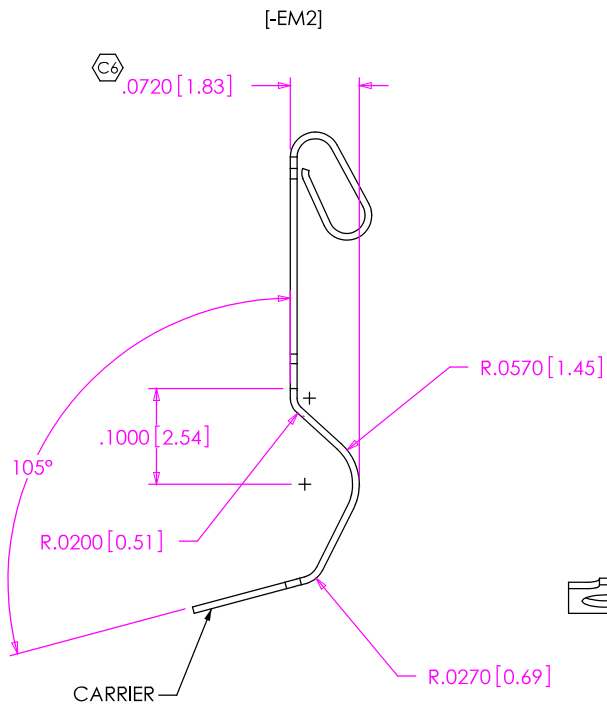
520 PARK EAST BLVD, NEW ALBANY, IN 47150
 PHONE: 812-944-6733 FAX: 812-948-5047
 e-Mail: info@SAMTEC.com code: 55322

MATERIAL: DO NOT SCALE DRAWING SHEET SCALE: 1.75:1

INSULATOR: LCP, COLOR: BLACK
CONTACT: PHOS BRONZE

DESCRIPTION: 1mm MINI-EDGE, EDGE MOUNT ASSEMBLY
DWG. NO.: MEC1-1XX-XX-XX-D-EMX-XX
BY: KEVIN B 5/19/2000 SHEET 1 OF 3

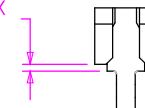
CONTACT IN-PROCESS FORM



PACKAGING VIEW
[PARTS TO HAVE POSITION #1 LOADED IN SAME DIRECTION FOR ALL PARTS]

TABLE 5		PARTS PER TRAY
POSITIONS	USE TRAY	
-05	TRAY-MEC1001-PR-05-AP-T-B	66
-08	TRAY-MEC1002-PR-08-AP-T-B	66
-20	TRAY-MEC1003-PR-20-AP-T-B	55
-30	TRAY-MEC1004-PR-30-AP-T-B	11
-40	TRAY-MEC1005-PR-40-AP-T-B	33
-50	TRAY-MEC1006-PR-50-AP-T-B	33
-60	TRAY-MEC1007-PR-60-AP-T-B	22
-70	TRAY-MEC1008-PR-70-AP-T-B	22

(C5) .0050 [0.13] MAX (SEE NOTE 8)



DETAIL 'B'
SCALE 7 : 1

PROPRIETARY NOTE
THIS DOCUMENT CONTAINS INFORMATION CONFIDENTIAL AND PROPRIETARY TO SAMTEC, INC. AND SHALL NOT BE REPRODUCED OR TRANSFERRED TO OTHER DOCUMENTS OR DISCLOSED TO OTHERS OR USED FOR ANY PURPOSE OTHER THAN THAT WHICH IT WAS OBTAINED WITHOUT THE EXPRESSED WRITTEN CONSENT OF SAMTEC, INC.

DO NOT SCALE DRAWING

SHEET SCALE: 1.75:1

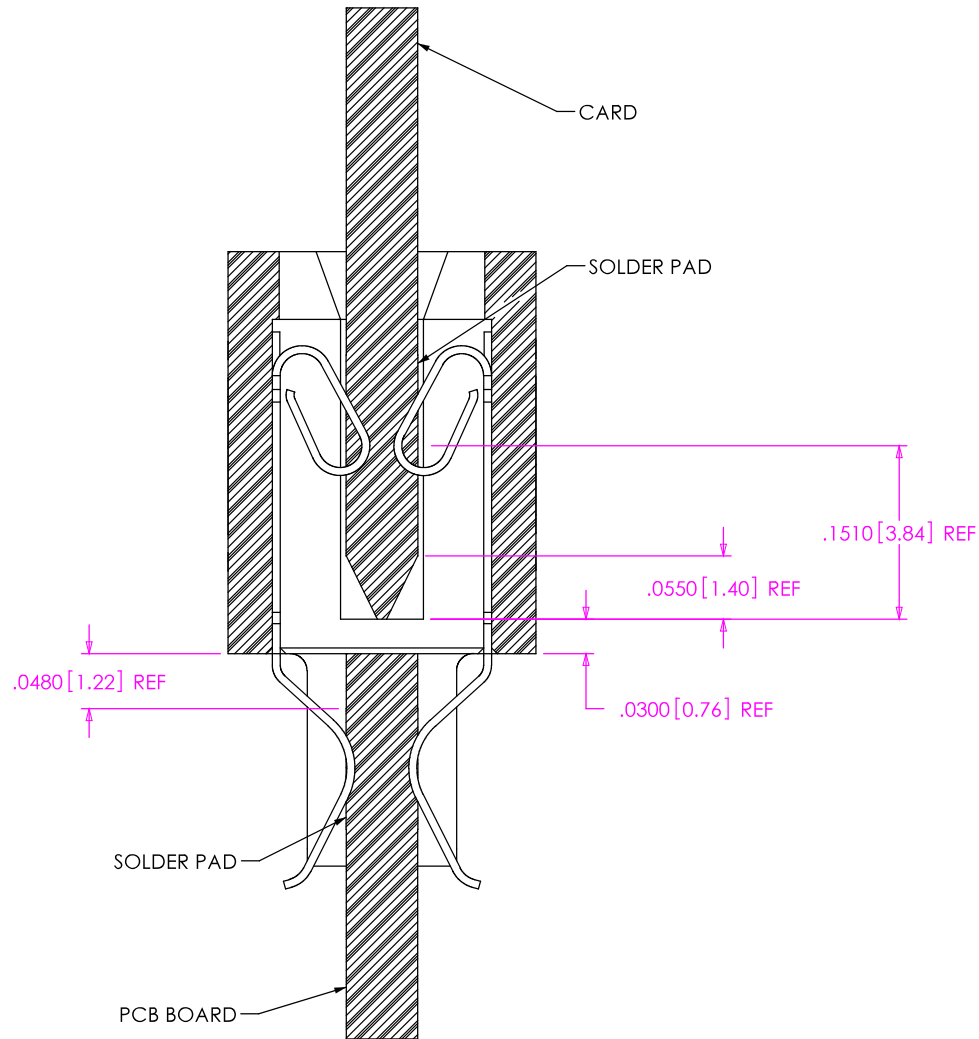


520 PARK EAST BLVD, NEW ALBANY, IN 47150
PHONE: 812-944-6733 FAX: 812-948-5047
e-Mail: info@SAMTEC.com code: 55322

DESCRIPTION:
1mm MINI-EDGE, EDGE MOUNT ASSEMBLY

DWG. NO.
MEC1-1XX-XX-XX-D-EMX-XX

BY: KEVIN B 5/19/2000 SHEET 2 OF 3



APPLICATION VIEW

PROPRIETARY NOTE
 THIS DOCUMENT CONTAINS INFORMATION CONFIDENTIAL AND PROPRIETARY TO SAMTEC, INC. AND SHALL NOT BE REPRODUCED OR TRANSFERRED TO OTHER DOCUMENTS OR DISCLOSED TO OTHERS OR USED FOR ANY PURPOSE OTHER THAN THAT WHICH IT WAS OBTAINED WITHOUT THE EXPRESSED WRITTEN CONSENT OF SAMTEC, INC.

DO NOT SCALE DRAWING

SHEET SCALE: 1.75:1



520 PARK EAST BLVD, NEW ALBANY, IN 47150
 PHONE: 812-944-6733 FAX: 812-948-5047
 e-Mail: info@SAMTEC.com code: 55322

DESCRIPTION:
 1mm MINI-EDGE, EDGE MOUNT ASSEMBLY

DWG. NO.
MEC1-1XX-XX-XX-D-EMX-XX

BY: KEVIN B 5/19/2000 SHEET 3 OF 3