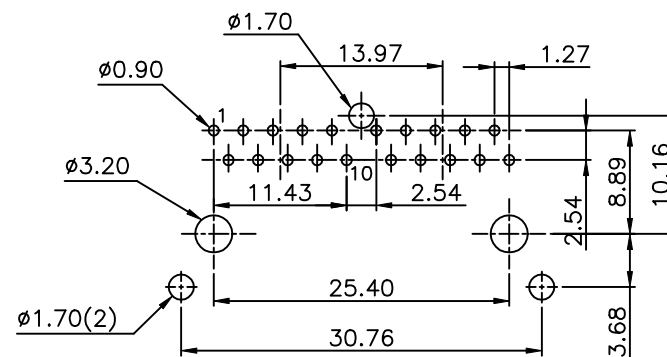
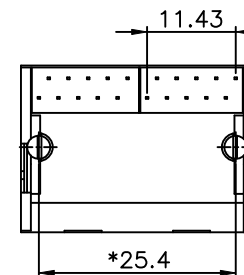
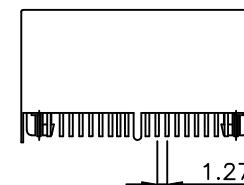
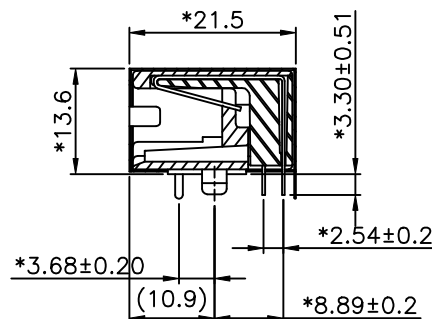
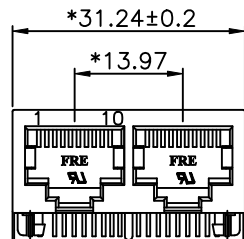


REVISION RECORD				
REV	ECO	DESCRIPTION	DRFT	CHKD
△		ADD P/N	HADQIN	06/18/05



PC Board Layout Component Side Shown

NOTES:

ELECTRICAL:

1. VOLTAGE RATING: 125 VAC RMS.
2. CURRENT RATING: 1.5 AMP.
3. CONTACT RESISTANCE: 50 MILLIOHMS MAX.
4. INSULATION RESISTANCE: 1000 MEGOHMS MIN @ 500 VDC.
5. DIELECTRIC STRENGTH: 1000 VAC RMS 60Hz, 1MIN.

MECHANICAL:

1. HOUSING MATERIAL: NYLON+30%.G.F(FR52) UL 94V-0.
2. CONTACT MATERIAL: PHOSPHOR BRONZE t=0.35mm.
3. PLATING: : GOLD PLATING OVER NICKEL.
4. SHIELD PLATING : NICKEL PLATING OVER BRASS
5. OPERATING LIFE: 750 CYCLES MIN.
6. PCB RETENTION PRE-SOLDER: 1 LB MIN.
7. PCB RETENTION POST-SOLDER: 10 LBS MIN.

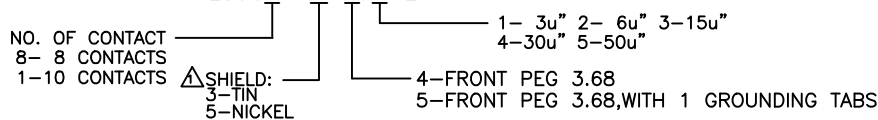
ENVIRONMENTAL:

1. STORAGE: -40°C TO +85°C.
2. OPERATION: 0°C TO 70°C.
3. WAVE SOLDERING TEMPERATURE: 255~265° C (5~10 SECONDS)

MATES WITH MODULAR PLUG CONFORMING TO FCC PART 68, SUBPART F.

CUL FILE NO. E163191

ROHS PART NUMBER: E590X-1XAX6X-L



DETACHED LISTS	← MM (INCH) →	DFTO JAMY	DATE 4/20/05	FULL RISE ELECTRONIC CO., LTD TITLE 20.57 SIDE ENTRY PCB JACK 10P DRAWING NO. GE593A48-LA SIZE REV /PART NO. SEE NOTE A3 1
	TOLERANCES EXCEPT AS NOTED	CHKD <small>mmw</small>	DATE <small>06/18/05</small>	
	MM	MFO	DATE	
	.0 ±0.2 ±	APPV <small>Lumina</small>	DATE <small>06/18/05</small>	
.00 ±0.15 ±	MATERIAL :		QT'Y :	
.000 ±0.075 ±	FINISH :		SCALE : 1.5:1	
ANGLES ± 0.5	DO NOT SCALE DRAWING		SHEET OF	
THIRD ANGLE PROJECTION				