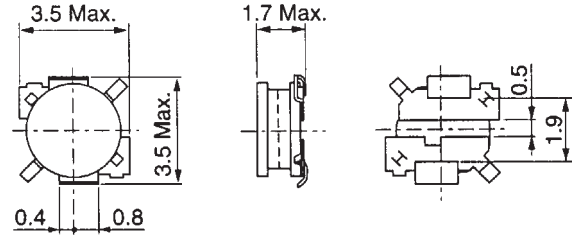


## TYPE D31FU

**Frequency Range:** 10kHz - 1MHz

**Inductance Range:** 0.1 - 1.2mH



Unit: mm  
Tolerance : ±0.2

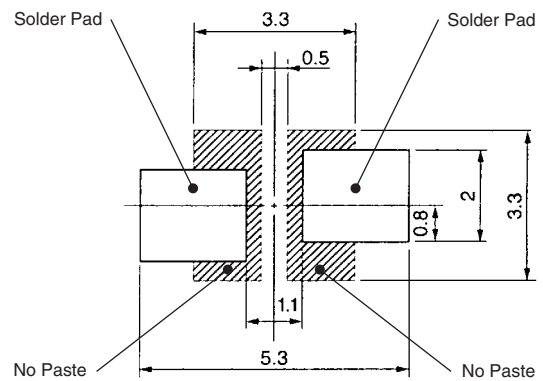
## Features

- Low profile (1.7mm max. height) and 3.5mm square
- Ideal for IC inverter EL lamp driver applications
- Available on tape and reel for auto-insertion
- Suitable for reflow soldering
- Lead-free terminations

## STANDARD PARTS SELECTION GUIDE

- (1) Inductance is measured by LCR-meter 4284A (HP) or equivalent.
- (2) DC Resistance is measured by Digital Multimeter TR6871 (Advantest) or equivalent.
- (3) Maximum allowable DC current is that which causes a 10% inductance reduction from the initial value, or coil temperature to rise by 40°C, whichever is smaller. (Reference ambient temperature 20°C).

## Recommended patterns:



Unit: mm

## TYPE D31FU

TOKO Part Number	Inductance <sup>(1)</sup> (mH) ±20%	DC <sup>(2)</sup> Resistance (Ω) max.	Inductance <sup>(3)</sup> Decrease Current (mA) max.	Temperature <sup>(3)</sup> Rise Current (mA) max.
#888FU-101M=P3	0.1	4.8	168	161
#888FU-121M=P3	0.12	6.0	152	148
#888FU-151M=P3	0.15	7.1	138	137
#888FU-181M=P3	0.18	9.0	121	121
#888FU-221M=P3	0.22	10	115	107
#888FU-271M=P3	0.27	14	100	97
#888FU-331M=P3	0.33	16	92	90
#888FU-391M=P3	0.39	18	85	86
#888FU-471M=P3	0.47	26	78	68
#888FU-561M=P3	0.56	30	72	68
#888FU-681M=P3	0.68	34	66	62
#888FU-821M=P3	0.82	46	58	52
#888FU-102M=P3	1.0	53	54	50
#888FU-122M=P3	1.2	60	50	47

Note: =P3 is added to each part number to indicate tape and reel packaging.