

Electrical Specifications ⁽¹⁾:

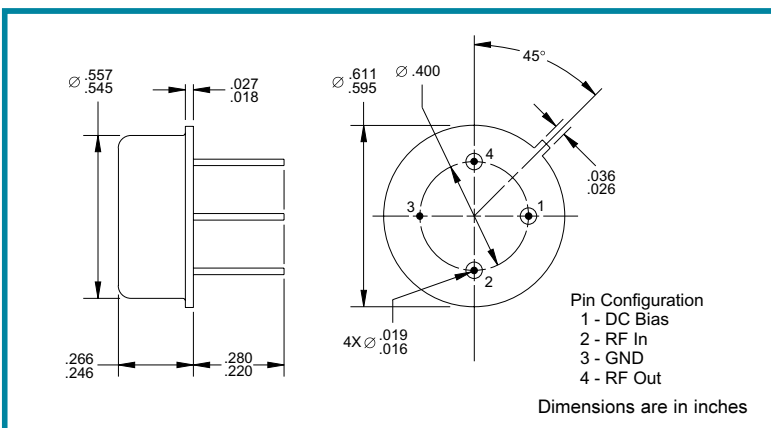
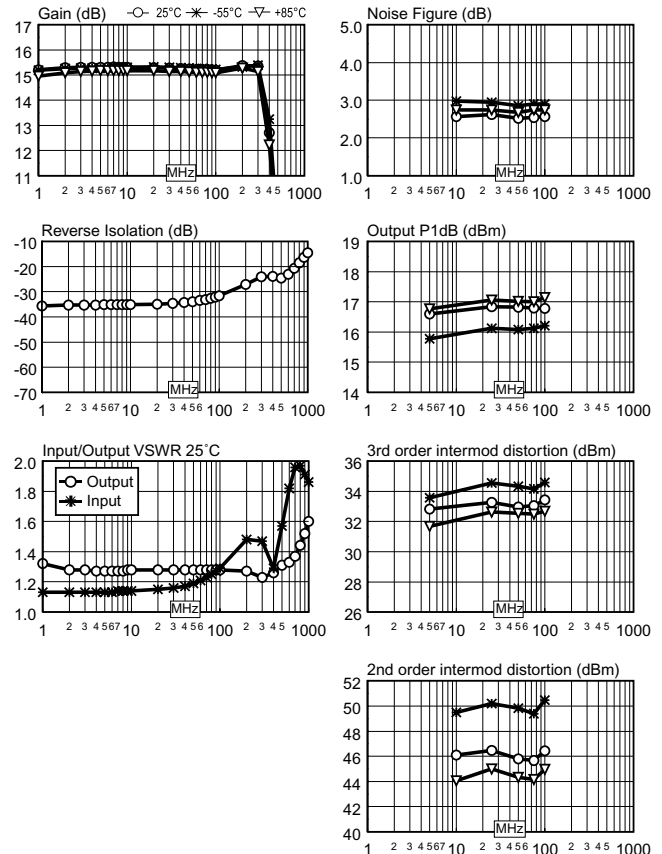
Parameter	Specification Limit		Units
Temperature	+25	-55 to +85	°C
Frequency Range	1 - 100		MHz
Small Signal Gain	15.0 ± 0.5		dB
Gain vs. Temperature		+0.2 / -0.8	dB Max
Gain Flatness	0.6	0.8	dB Max p-p
Reverse Isolation	27	27	dB Min
VSWR Input	1.5:1	1.5:1	Max
VSWR Output	1.5:1	1.6:1	Max
1 dB Compression	+16	+15	dBm Min
Output Intercept Point			
3rd Order	+31	+30	dBm Min
2nd Order	+45	+42	dBm Min
Noise Figure	3.3	3.8	dB Max
DC Power @ 15 Vdc ± 1%	51	54	mA Max
Gain vs. Vdc	0.10		dB/Volt Max
Housing	TO-8 (E52-1202-2)		

QBH-172

Absolute Maximum Ratings	
Power Supply Voltage	
Sustaining	16.5 Vdc
Pulse (transient)	20.0 Vdc
Temperature	
Operating	-55 to +125°C
Storage	-65 to +150°C
Max Input Drive	1.7 VRMS
Thermal Rise, junction-to-case	+24°C

Notes:
1. Specifications are guaranteed when tested in a 50 Ohm system. Specifications indicated as typical are not guaranteed.

Typical S-Parameter Data										
MHz	S11		S21		S12		S22		dB	Ang
	dB	Ang	dB	Ang	dB	Ang	dB	Ang		
1	-24.1	-17.8	15.2	-177.2	-35.7	10.2	-17.3	41.2		
5	-24.1	0.1	15.3	178.9	-35.2	4.7	-18.4	8.9		
7	-24.0	2.1	15.3	178.0	-35.1	4.8	-18.4	5.4		
9	-23.9	3.3	15.3	177.1	-35.1	5.8	-18.3	3.0		
20	-23.3	7.6	15.3	173.0	-34.9	7.7	-18.3	-4.0		
40	-22.0	11.5	15.3	165.9	-34.3	15.1	-18.3	-12.1		
60	-20.5	11.2	15.2	159.0	-33.5	21.5	-18.3	-19.3		
80	-19.2	7.8	15.2	152.1	-32.6	24.5	-18.3	-26.1		
100	-18.0	2.2	15.2	145.3	-31.7	26.6	-18.2	-33.0		



Specifications subject to change without notice.