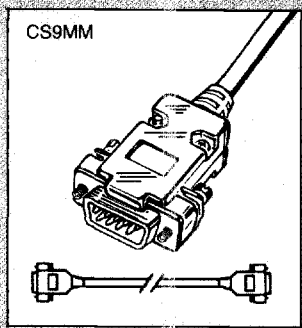


MODEL-FT	TYPE	GENDER	#WIRES	1-9	10-24	25-99
----------	------	--------	--------	-----	-------	-------

9 Position Cables - Fully Populated and Shielded, Used in Many Popular Applications

All 9 wires terminate straight-thru to two D-Sub 9 Pin Connectors, genders as shown. Foil shield connected to both metalized D-sub shells.

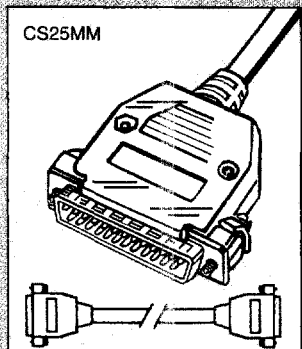
CS9MM-2.5	Shielded DB9	Male / Male	9	9.25	8.51	7.77
CS9MM-5	Shielded DB9	Male / Male	9	10.00	9.20	8.40
CS9MM-10	Shielded DB9	Male / Male	9	11.50	10.58	9.66
CS9MM-15	Shielded DB9	Male / Male	9	13.00	11.96	10.92
CS9MM-25	Shielded DB9	Male / Male	9	16.00	14.72	13.44
CS9MF-2.5	Shielded DB9	Male / Female	9	9.25	8.51	7.77
CS9MF-5	Shielded DB9	Male / Female	9	10.00	9.20	8.40
CS9MF-10	Shielded DB9	Male / Female	9	11.50	10.58	9.66
CS9MF-15	Shielded DB9	Male / Female	9	13.00	11.96	10.92
CS9MF-25	Shielded DB9	Male / Female	9	16.00	14.72	13.44



25 Position, Fully Shielded Data Cable - Fully Populated, Straight-Thru Wired

Meets all FCC system requirements at a very reasonable cost. Recommended for short, intermediate, and long runs. Gray cable & metalized connector hoods. Straight-thru wiring (1-1, 2-2, 3-3, ...).

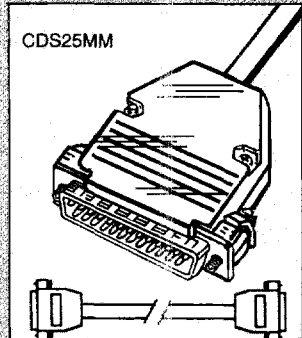
CS25MM-2.5	Shielded DB25	Male / Male	25	14.50	13.34	12.18
CS25MM-5	Shielded DB25	Male / Male	25	16.00	14.72	13.44
CS25MM-10	Shielded DB25	Male / Male	25	19.00	17.48	15.96
CS25MM-15	Shielded DB25	Male / Male	25	22.00	20.24	18.48
CS25MM-25	Shielded DB25	Male / Male	25	28.00	25.76	23.52
CS25MM-50	Shielded DB25	Male / Male	25	43.00	39.56	36.12
CS25MF-2.5	Shielded DB25	Male / Female	25	14.50	13.34	12.18
CS25MF-5	Shielded DB25	Male / Female	25	16.00	14.72	13.44
CS25MF-10	Shielded DB25	Male / Female	25	19.00	17.48	15.96
CS25MF-15	Shielded DB25	Male / Female	25	22.00	20.24	18.48
CS25MF-25	Shielded DB25	Male / Female	25	28.00	25.76	23.52
CS25MF-50	Shielded DB25	Male / Female	25	43.00	39.56	36.12



25 Position Cable - Features Full Braid and Mylar Shields For Noisy Environments

Our premium line offers maximum protection from radiation. Mylar foil plus copper braid shield the 25 conductors. Ends are shielded by cast metal connector covers terminated to ground. Best choice for long runs.

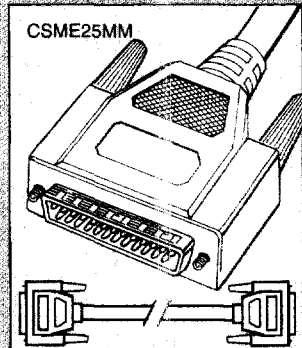
CDS25MM-5	Double Shielded DB25	Male / Male	25	22.50	20.70	18.90
CDS25MM-10	Double Shielded DB25	Male / Male	25	26.50	24.38	22.26
CDS25MM-15	Double Shielded DB25	Male / Male	25	30.50	28.06	25.62
CDS25MM-25	Double Shielded DB25	Male / Male	25	38.50	35.42	32.34
CDS25MM-50	Double Shielded DB25	Male / Male	25	58.50	53.82	49.14
CDS25MM-100	Double Shielded DB25	Male / Male	25	98.50	90.62	82.74
CDS25MF-5	Double Shielded DB25	Male / Female	25	22.50	20.70	18.90
CDS25MF-10	Double Shielded DB25	Male / Female	25	26.50	24.38	22.26
CDS25MF-15	Double Shielded DB25	Male / Female	25	30.50	28.06	25.62
CDS25MF-25	Double Shielded DB25	Male / Female	25	38.50	35.42	32.34
CDS25MF-50	Double Shielded DB25	Male / Female	25	58.50	53.82	49.14
CDS25MF-100	Double Shielded DB25	Male / Female	25	98.50	90.62	82.74



Economy Priced Molded DB25 Data Cables - Shielded, Molded and Fully Populated

Large production runs afford economy of scale to OEM users in need of best pricing for the most popular D-sub 25 equipped data cables. Extremely good quality design and workmanship, including such features as: fully populated (28 AWG) conductors, aluminum mylar shielding throughout, double molded connector ends, serrated plastic holddown screws and your choice of genders in the most popular lengths. Sorry, no custom adaptations considered for this series.

CSME25MM-3	Shielded Data Cable	Male / Male	25	8.95	8.23	7.52
CSME25MM-6	Shielded Data Cable	Male / Male	25	9.95	9.15	8.36
CSME25MM-10	Shielded Data Cable	Male / Male	25	12.65	11.64	10.63
CSME25MM-15	Shielded Data Cable	Male / Male	25	15.95	14.67	13.40
CSME25MM-25	Shielded Data Cable	Male / Male	25	23.75	21.85	19.95
CSME25MM-50	Shielded Data Cable	Male / Male	25	39.95	36.75	33.56
CSME25MF-3	Shielded Extension Cable	Male / Female	25	8.95	8.23	7.52
CSME25MF-6	Shielded Extension Cable	Male / Female	25	9.95	9.15	8.36
CSME25MF-10	Shielded Extension Cable	Male / Female	25	12.65	11.64	10.63
CSME25MF-15	Shielded Extension Cable	Male / Female	25	15.95	14.67	13.40
CSME25MF-25	Shielded Extension Cable	Male / Female	25	23.75	21.85	19.95
CSME25MF-50	Shielded Extension Cable	Male / Female	25	39.95	36.75	33.56
CSME25FF-6	Shielded Data Cable	Female / Female	25	9.95	9.15	8.36
CSME25FF-10	Shielded Data Cable	Female / Female	25	12.65	11.64	10.63
CSME25FF-15	Shielded Data Cable	Female / Female	25	15.95	14.67	13.40
CSME25FF-25	Shielded Data Cable	Female / Female	25	23.75	21.85	19.95



Q&A:

What is the difference between assembled and molded cable assemblies?

Assembled cable assemblies use backshells made of plastic or metal to protect the wires at the terminated connector. These assembled shells can be shielded or not shielded. Molded backshells are made from PVC which is melted and injected into a mold. Assembled shells can be disassembled by removing hardware where molded shells cannot.