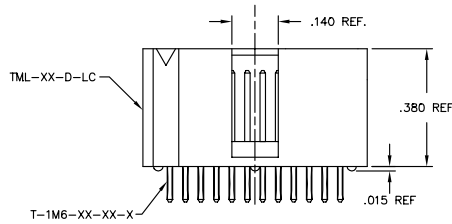
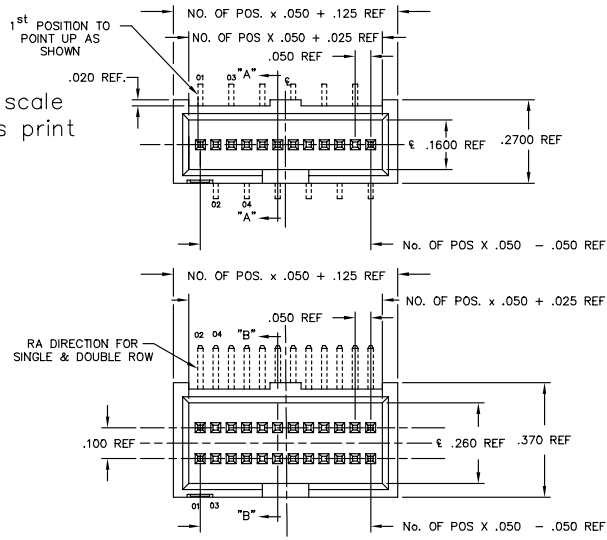


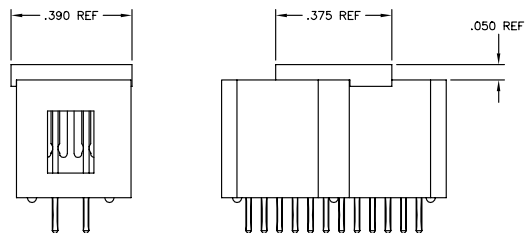
REV. AB

Do not scale from this print



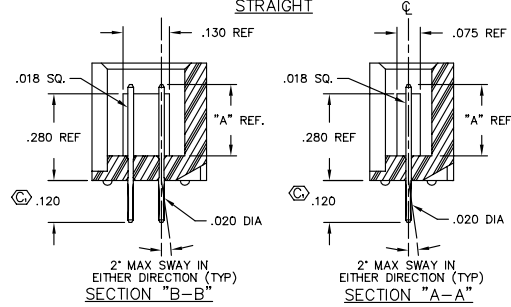
-P
PICK & PLACE PAD

NOTE: LOCATING NOTCH ON PAD TO BE PRESSED AGAINST MIDDLE STANDOFF ON BODY.

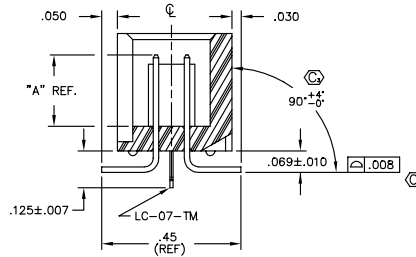


PROPRIETARY NOTE
THIS DOCUMENT CONTAINS INFORMATION OF SAMTEC INC. AND IS PROPRIETARY TO SAMTEC INC. ANY REUSE, REPRODUCTION OR MODIFICATION OF THIS DOCUMENT IS STRICTLY PROHIBITED WITHOUT THE WRITTEN CONSENT OF SAMTEC INC.

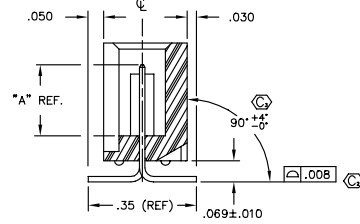
STRAIGHT



SURFACE MOUNT

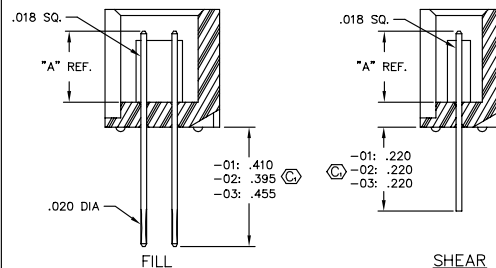


SECTION "B-B"



SECTION "A-A"

IN PROCESS



DIMENSIONS ARE IN INCHES		UNLESS OTHERWISE NOTED		TOLERANCES ARE:		TITLE:		DWG NO.:	
ONE PLACE DECIMALS ± .1	TWO PLACE DECIMALS ± .01	THREE PLACE DECIMALS ± .005	FOUR PLACE DECIMALS ± .0020	ANGLES ± 2°		TML ASSEMBLY		TML-1XX-XX-XX-X-XX-XXX	
SHEET 1 OF 1									

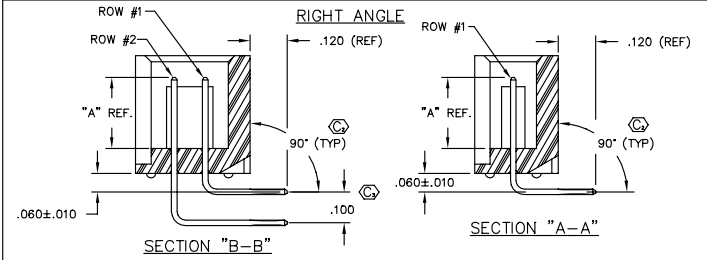
TML-1XX-XX-XX-X-XX-XXX

- NO. OF POSITIONS
-05 THRU -50
- LEAD STYLE
SEE TABLE 1
- PLATING SPECIFICATION
- G: GOLD- (USE T-1M6-XX-G-2)
 - T: TIN- (USE T-1M6-XX-T-2)
 - S: SELECTIVE- (USE T-1M6-XX-S-2)
 - F: FLASH SELECTIVE (USE T-1M6-XX-F-2)
 - H: HEAVY GOLD- (USE T-1M6-XX-H-2)
 - SM: HEAVY GOLD SELECTIVE, MATTE TIN TAIL (USE T-1M6-XX-S-2)
 - TM: MATTE TIN (USE T-1M6-XX-T-2)
 - FM: FLASH GOLD SELECTIVE, MATTE TIN TAIL (USE T-1M6-XX-F-2)
- OPTION #2
- XXX: INDICATES POSITION OMITTED FOR POLARIZED ASSEMBLY (AVAILABLE FOR DOUBLE ROW SURFACE MOUNT ONLY) (USE LC-07-TM)
 - P: PICK & PLACE PAD (USE PPP-22)
- OPTION #1
- BLANK: STRAIGHT
 - RA: RIGHT ANGLE
 - SM: SURFACE MOUNT
- ROW SPECIFICATION
- D: DOUBLE (USE TML-XX-D)
 - S: SINGLE (USE TML-XX-S)

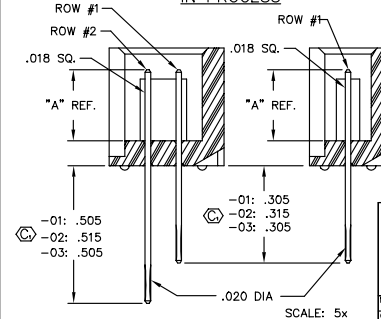
LEAD STYLE	"A"	STRAIGHT	RIGHT ANGLE		SURFACE MOUNT (SINGLE & DOUBLE ROW)
			ROW #1 (SINGLE ROW)	ROW #2	
-01	.120	T-1M6-17-XX-2	T-1M6-04-XX-2	T-1M6-05-XX-2	T-1M6-03-XX-2
-02	.230	T-1M6-12-XX-2	T-1M6-13-XX-2	T-1M6-16-XX-2	T-1M6-05-XX-2
-03	.170	T-1M6-26-XX-2	T-1M6-14-XX-2	T-1M6-15-XX-2	T-1M6-05-XX-2

NOTE:
1. Ⓢ REPRESENTS A CRITICAL DIMENSION.

OPTIONS	PACKAGING TUBE	PLUG
-D-SM	PT-1-24-01-08	TP-13
-D-SM-LC, -D-SM-LC-P	PT-1-24-02-08	TP-13



IN PROCESS



PLOT SCALE: 1 = .2

EQSPROD/ASSEMBLY/050

samtec

520 PARK EAST BLVD. NEW ALBANY, INDIANA 47150
PHONE (812) 944-6733 F.O. BOX 1147
CODE 55322

MADE BY: BRYANT 8-7-90 APPROVAL: DEM TML-1XX-XX-XX-X-XX-XXX
CHECKED BY: ECKERT