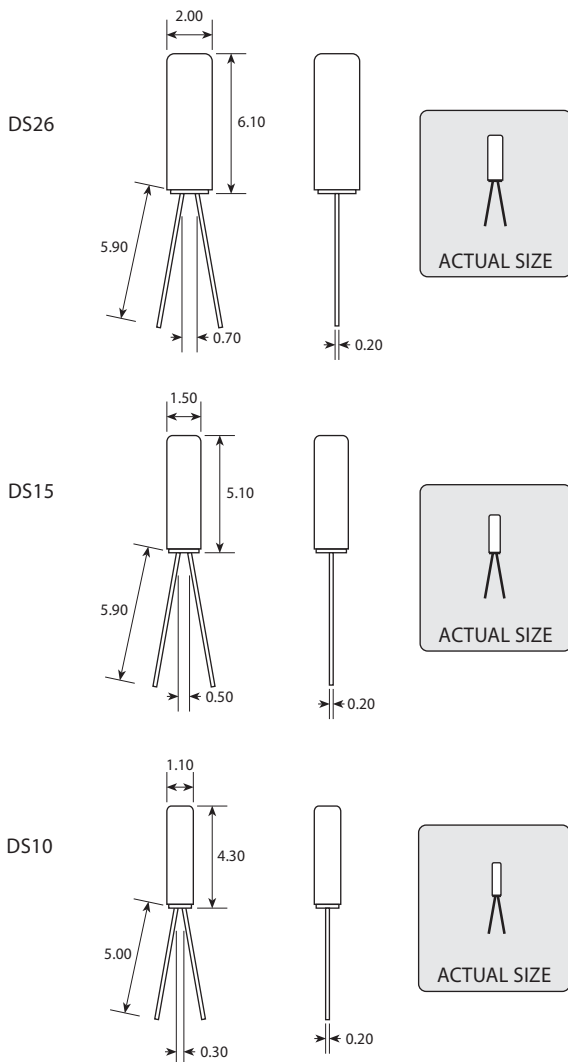


Specifications

DS26: 2.0 x 6.1mm cylindrical package




DS15: 1.5 x 5.1mm cylindrical package

DS10: 1.1 x 4.3mm cylindrical package



Scale 3:1

Features

-  **Low cost**
-  **Miniature size for high density applications**
-  **High shock & vibration resistance**

Parameters	Variant			Option Codes
	26	15	10	
Package: 2.0 x 6.1mm cylinder 1.5 x 5.1mm cylinder 1.1 x 4.3mm cylinder	■	■	■	
Frequency: 32.768kHz	■	■	■	
Calibration tolerance: ±20ppm Other values	■	■	■	specify
Operating temperature range: -10 to +60°C	■	■	■	
Turnover temperature (T₀): +25°C ±5°C	■	■	■	
Frequency / temp coefficient: -0.038ppm/°C ² typ	■	■	■	
Circuit condition: 8.2pF	■	■	■	
Static capacitance (C₀): 0.9 ~ 1.1pF	■	■	■	
Motional capacitance (C₁): 2.35fF typ 2.15fF typ	■	■	■	
Equivalent series resistance: 30kΩ typ, 42kΩ max 35kΩ typ, 50kΩ max 45kΩ typ, 60kΩ max	■	■	■	
Ageing: ±3ppm max first year	■	■	■	
Drive level: 1.0μW max	■	■	■	
Shock resistance: ±5ppm max 5,000g, 0.3ms, ½ sine	■	■	■	
Vibration resistance: ±5ppm max 20g, 10.0 ~ 2,000Hz	■	■	■	

■ Standard. □ Optional - Please specify required code(s) when ordering

Ordering Information

Product name + variant
+ calibration tolerance (if non-standard)

eg: **DS26**

DS15

Option code X (eg DS26/X) denotes a custom specification.