

## 2.5 Gbps APD/TIA Fiber Pigtail Receiver



### Key Features

- Case grounded hermetic five-pin TO-46 coaxial package
- Separate APD and TIA bias inputs, allowing optimization of operating points and noise immunity
- -40 to +85°C operating temperature range with -34 dBm typical sensitivity

### Applications

- Passive Optical Networks and FTTx applications
  - GE-PON
  - GPON
- Access and Metro networks
  - SONET OC-48 LR-2 receivers

The JDSU RXA M DPGX 088 XX-000 series fiber pigtail receivers incorporate a 60-front-illuminated avalanche photodiode (APD) packaged with a transimpedance amplifier (TIA) and a single-mode fiber pigtail, designed to operate up to 2.5 Gbps.

The RXA M DPGX 088 XX-000 series receivers are assembled in a rugged coaxial fiber pigtail package with a choice of connector type. Standard choices for connector type LC and FC/SC with SPC/APC end faces are available.

### Compliance

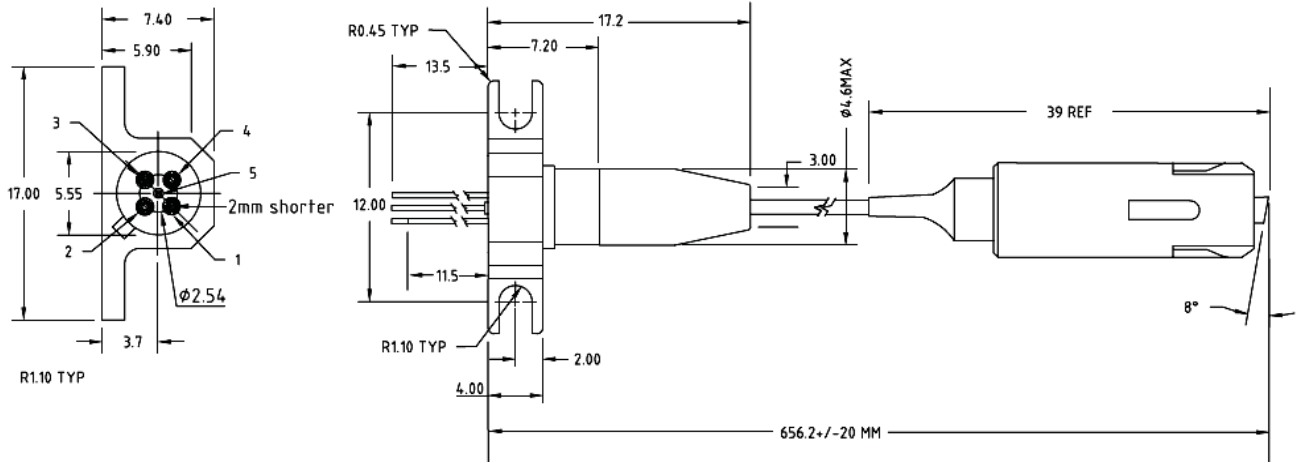
- Telcordia qualified, front-illuminated InP based APD

2

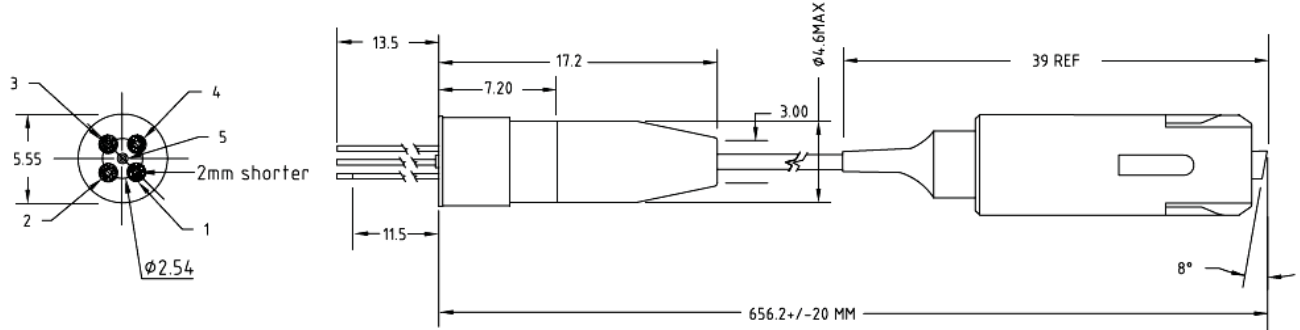
Dimensions Diagram

(Specifications in mm unless otherwise noted.)

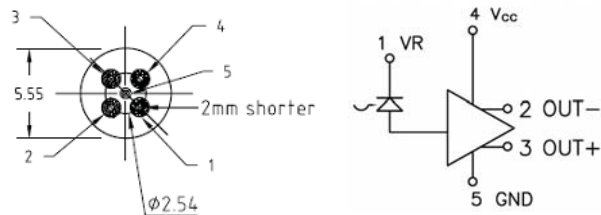
Standard, SC/APC connector



Without bracket, SC/APC connector



Electrical Schematics



Note: Compared with other pins, pin #1 has been shorted by 2 mm for orientation.

Pinout

Pin	Symbol	Description
1	VR	APD bias
2	OUT-	Negative output
3	OUT+	Positive output
4	Vcc	TIA bias
5	GND	Case ground

## 3

**Absolute Maximum Ratings**

Parameter	Rating
Storage temperature	-40 to +85°C
Operating case temperature (T <sub>op</sub> )	-40 to +85°C
APD voltage supply (V <sub>cc</sub> )	V <sub>br</sub> V
APD reverse current	5 mA
APD forward current	10 mA
ESD threshold (HBM)	300 V
Maximum incident optical power	+5 dBm

Note: All specifications are at T<sub>op</sub> = 25°C unless otherwise stated

**Specifications**

Parameter	Conditions	Minimum	Typical	Maximum
TIA supply voltage		3.0 V	3.3 V	3.6 V
TIA current	V <sub>cc</sub> =3.3 V, T <sub>op</sub> =-40 to +85°C	-	48 mA	59 mA
Modulation bandwidth (-3 dB)	Pin = -30 dBm, Ref=200 MHz, single-ended, V <sub>APD</sub> =V <sub>br</sub> -2 V	1.8 GHz	2.0 GHz	-
AC transimpedance	Pin = -30 dBm, f=1.2 GHz, single-ended	1.15 KΩ	1.80 KΩ	2.35 KΩ
Output impedance		40 Ω	50 Ω	60 Ω
Dark current	V <sub>APD</sub> =V <sub>br</sub> -2 V	-	-	20 nA
Sensitivity	2.488 Gbps, NRZ, PRBS=2 <sup>23</sup> -1, BER=10 <sup>-10</sup> , T <sub>op</sub> =-40 to +85°C, ER >10 dB	-	-34 dBm	-32 dBm
Responsivity	Pin=1 uW, V <sub>APD</sub> =V <sub>br</sub> -2 V	-	7.7 A/W	-
Overload	2.488 Gbps, NRZ, PRBS=2 <sup>23</sup> -1, BER=10 <sup>-10</sup> , T <sub>op</sub> =-40 to +85°C, ER >10 dB	0 dBm	-	-
APD breakdown voltage	I <sub>r</sub> =10 μA	40 V	51 V	60 V
V <sub>br</sub> temperature coefficient	-40 to +85°C	0.1%/°C	-	0.3%/°C
Optical insertion loss	For connector	-	-	0.5 dB
Optical return loss		-	-	-30 dB

Note: All specifications are at T<sub>op</sub> = 25°C @1550 nm, TIA supply voltage=3.3 V, beginning of life, unless otherwise stated

**Electrostatic Discharge (ESD)**

ESD protection is imperative. Use of grounding straps, antistatic mats, and other standard ESD protective equipment is required when handling or testing a junction photodiode. Fiber pigtail should be handled with less than 10 N pull and with bending radius greater than one inch. Soldering temperature of the leads should not exceed 260°C for more than 10 seconds.

**Ordering Information**

For more information on this or other products and their availability, please contact your local JDSU account manager or JDSU directly at 1-800-498-JDSU (5378) in North America and +800-5378-JDSU worldwide, or via e-mail at [customer.service@jdsu.com](mailto:customer.service@jdsu.com).

**Sample: RXA M DPG1 088 00-000**

**RXA M DPG  088   -000**

Code	Connector
1	FC/SPC connetor
2	SC/SPC connetor
3	LC/SPC connetor
4	FC/APC connetor
5	SC/APC connetor
6	LC/APC connetor

Code	Package
00	Without bracket
01	With MB14 bracket