

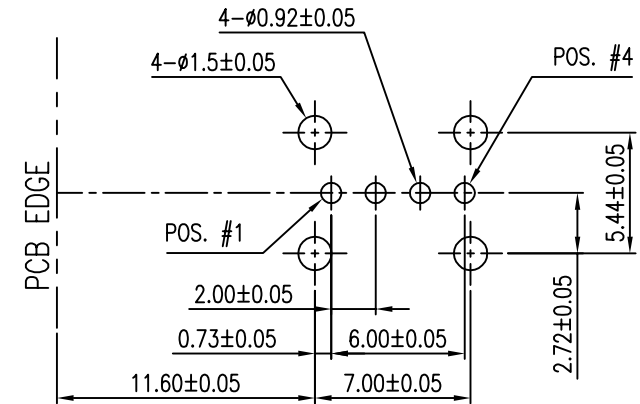
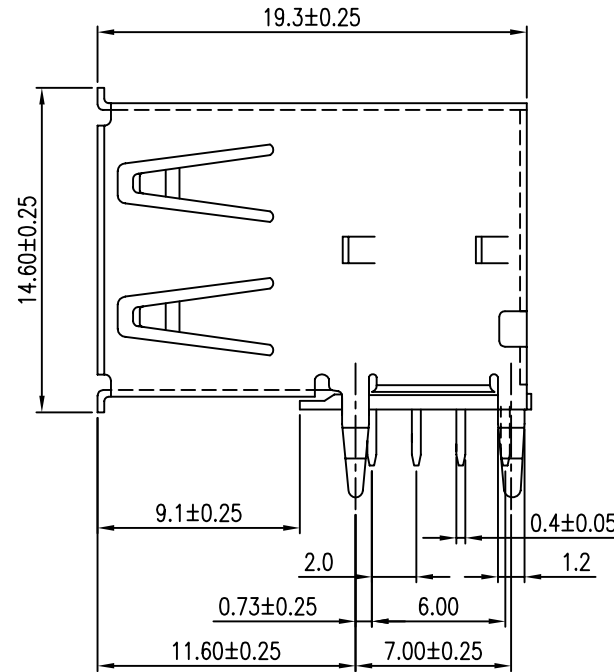
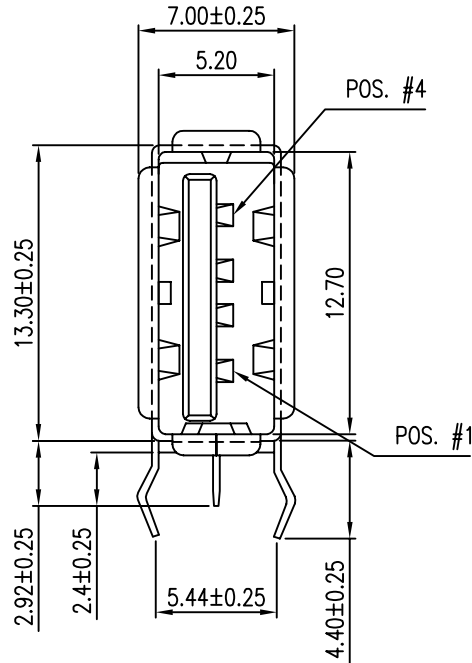
This document is the property of Amphenol Corporation and is delivered on the express condition that it is not to be disclosed, reproduced or used, in whole or in part, for manufacture or sale by anyone other than Amphenol Corporation without its prior consent, and that no right is granted to disclose or to use any information in this document.



CUSTOMER DRAWING ORIGINAL



REVISIONS				
SYM	ECN No.	DESCRIPTION	DATE	APPROVED
A		RELEASE FOR RoHS	07/24/2006	Armstrong Kao
B	NE-07071	ADDING NOTE 5	02/13/2007	HC Liu



RECOMMENDED PC BOARD LAYOUT

NOTES:

- HOUSING & BOTTOM COVER: PBT, UL94V-0, COLOR- WHITE
- CONTACT: PHOSPHOR BRONZE, 0.25 MM THICKNESS SELECTIVE GOLD PLATED ON CONTACT AREA, TIN PLATED ON SOLDERING AREA
- SHELL: BRASS, 0.3 MM THICKNESS, NICKEL PLATED
- REAR SHELL: SPCC, 0.3 MM THICKNESS, NICKEL PLATED
- THE LABEL MARKED WITH Amphenol P/N MUST BE ATTACHED ON PE BAG, TRAY, REEL, INNER BOX OR CARTON, PER Amphenol PACKING SPEC PKS-0001
- △ IS CRITICAL DIMENSIONS
- THIS PRODUCT DOESN'T CONTAIN ENVIRONMENTAL HAZARDOUS MATERIALS PER DIRECTIVE 2002/95/EC FOR RoHS.
- THE PRODUCT MUST BE FOR DIP PROCESS ONLY

TOLERANCE m/m		APPROVALS		DATE	TITLE		 Amphenol Corporation Amphenol Taiwan Corporation SCALE N.A. SHEET 1 OF 1	
x.	±0.30	DRAWN	XL Wu	02/13/07	UNIVERSAL SERIAL BUS RECEPTACLE, SERIES A UPRIGHT, RIGHT-ANGLE PCB MOUNT			
x.x	±0.25	CHECKED	Sondra Sang	02/13/07				
x.xx	±0.15	APPROVED	HC Liu	02/13/07				
x.xxx	±0.08	UNLESS OTHERWISE SPECIFIED		UNIT	SIZE	PART NO.	DRAWING NO.	REV.
ANGULAR	±2°			MM	A4	GSB 191 X0 KEU	OTHER-GSB191X0KEU-29	B