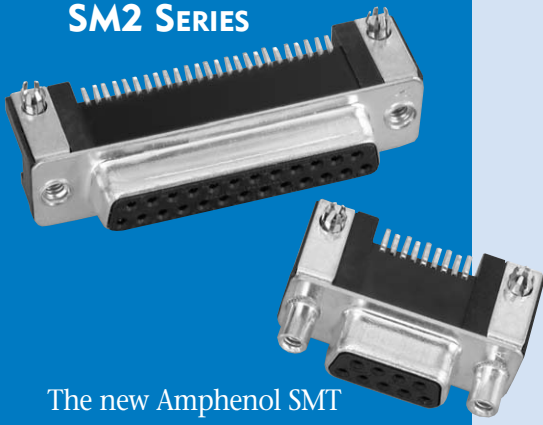


SM2 SERIES

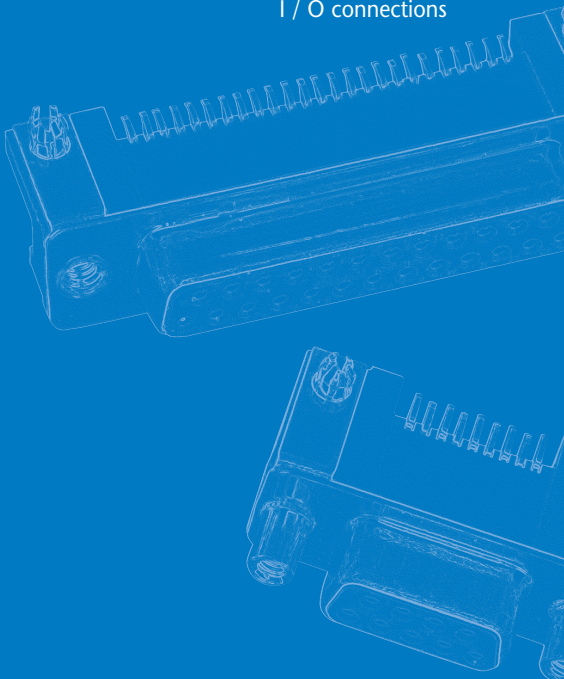


The new Amphenol SMT D-Sub is offered in right angle, receptacle with brackets, as an industry standard for I / O connections.

New boardlock features:
 -LIF (Low Insertion Force) boardlock especially designed to be fully compatible with pick and place equipment.
 -ZeFo (Zero Insertion Force) boardlock has been designed so that once placed and expanded, secures the connector in place.

Applications

- Industrial
- Telecom
- Any industry standard I / O connections



Stamped And Formed Contacts Surface Mount Connectors

SPECIFICATIONS:

MATERIALS AND PLATINGS

Shells	Steel with tin plating
Insulator	High temperature (peak at 500°F [260°C]) glass-filled thermoplastic, UL 94V-0
Socket Contact	Stamped and formed brass, selected gold in mating area; 100μ" (2.54μm) min. tin-lead on termination area, with entire contact under-plated 50μ" (1.27μm) min. nickel
Rear Insert	Brass, 118μ" up to 197μ" (3μm up to 5μm) tinned over nickel 78μ" to 118μ" (2μm up to 3μm)
Boardlock	Tin-lead plating 157μ" up to 236μ" (4μm up to 6μm) over nickel 78μ" up to 118μ" (2μm up to 3μm) Insertion force: Low Insertion Force = LIF (bronze) Zero Insertion Force = ZeFo (brass)
Screwlock	Brass, 236μ" up to 394μ" (6μm up to 10μm) tinned over nickel 78μ" up to 118μ" (2μm up to 3μm)
Grounding	Grounding strap: brass, (4μ" up to 6μ") (0.10μm up to 0.15μm) tin-lead plating over nickel 78μ" up to 118μ" (2μm up to 3μm)

ELECTRICAL DATA

Current Rating	3A
Voltage Rating	300V AC/ rms 50Hz
Withstanding Voltage	1000V AC/ rms 50Hz for one minute
Insulation Resistance	5000MΩ
Contact Resistance	10 mΩ max.

CLIMATIC DATA

Operating Temperature	185°F (85°C), peak at 221°F (105°C)
Damp Heat	56 days 221°F (105°C) - 95% RH

MECHANICAL DATA

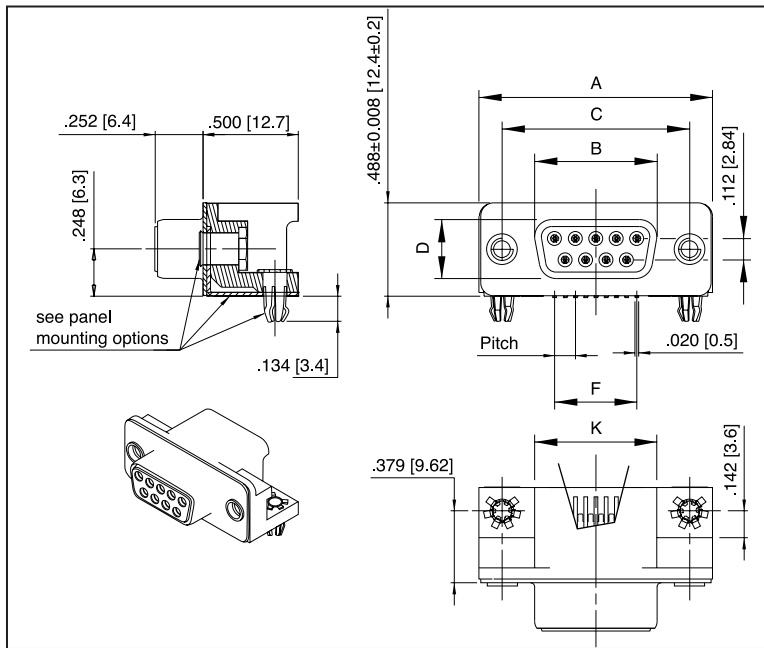
Single Contact Insertion Force	1.2N < F < 2.5N
Single Contact Withdrawal Force	0.4N min.
LIF Boardlock	8N max. per connector
Coplanarity of Contacts	.008" (0.2) max.

Mating and Unmating Force

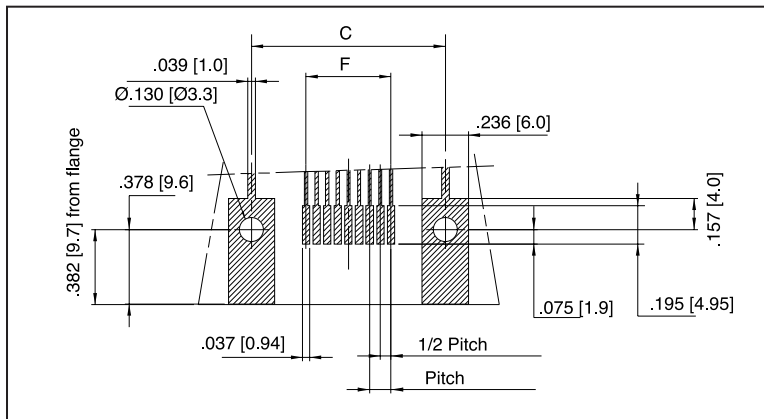
Unit: N

No. of Contacts	Mate (max.)	Unmate (min.)
9 (size E)	30	3.5
15 (size A)	50	4.5
25 (size B)	83	8.0

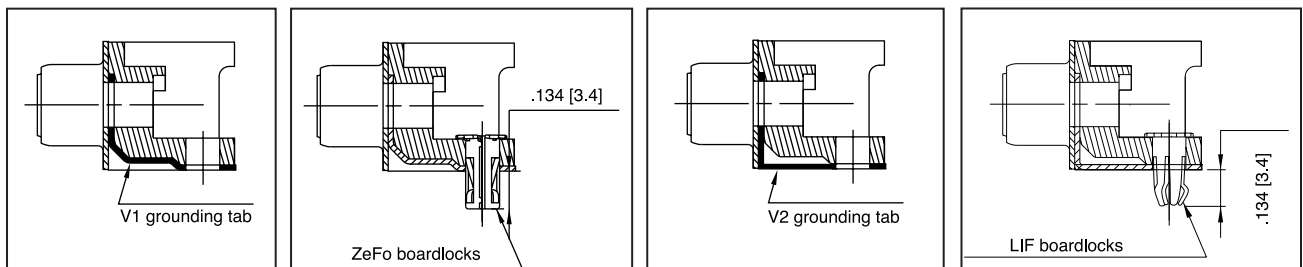
SHELL DIMENSIONS



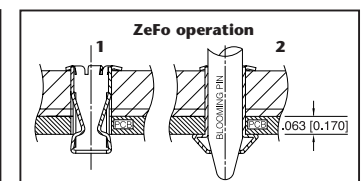
PCB LAYOUT



GROUNDING TABS



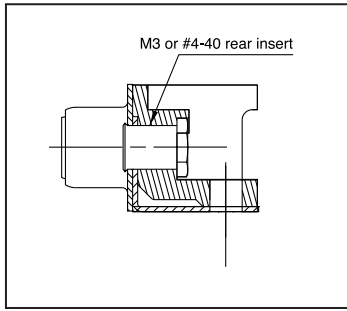
SHELL SIZE	A	B	C	D	PITCH	F	K
	+ .002 (0.05) - .004 (0.1)	0 - .008 (0.2)	± .004 (0.1)	0 - .01 (0.25)			
E	1.226 (31.15)	.645 (16.4)	.984 (25)	.316 (8.03)	.1078 (2.74)	.432 (10.97)	.642 (16.3)
A	1.551 (39.4)	.976 (24.8)	1.311 (33.3)	.316 (8.03)	.1078 (2.74)	.756 (19.2)	.968 (24.6)
B	2.098 (53.3)	1.515 (38.5)	1.850 (47)	.316 (8.03)	.1086 (2.76)	1.304 (33.12)	1.508 (38.3)



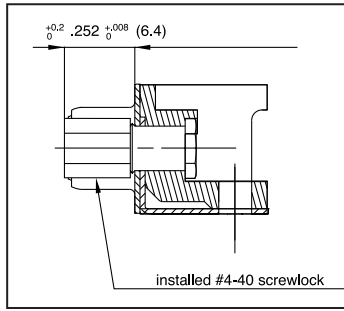
Blooming Pin Tool
P.N. 356-500

INCHES (MM)

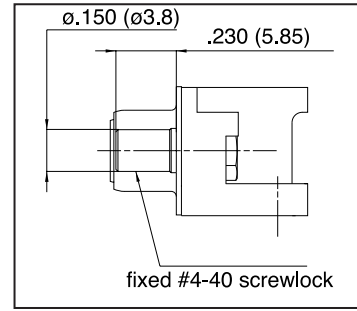
FLANGE ACCESSORIES



Threaded Rear
1/2



Installed Front Female
5



Fixed Front Female
6

ORDERING INFORMATION

17SM2 - XX - S - X - X - X - X

Configuration :

- 09
- 15
- 25

SOCKET ONLY

Board locks / grounding tab:

- 1 V1 grounding tab +ZeFo boardlocks (PCB = .062 [1.6])
- 4 ZeFo boardlocks only (PCB = .062 [1.6])
- 7 V1 grounding tab only
- 8 no grounding tab and no boardlocks
- B V2 grounding tab + LIF boardlocks (PCB = .062 [1.6])

Packaging:

- R reel (9 Pos only, 100/reel)
- T tube

Contact plating:

- 1 7.9µ" (0.2µm Au)
- 2 15.7µ" (0.4µm Au)
- 3 19.7µ" (0.5µm Au)
- 4 31.5µ" (0.8µm Au)
- 6 50µ" (1.27µm Au)

Mounting options:

- 1 rear insert 4-40
- 2 rear insert M3
- 5 installed front screwlock 4-40
- 6 fixed front screwlock 4-40

■ : Standard options