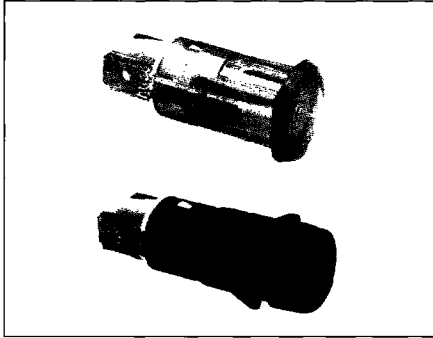


## 12.7mm (1/2") Series

## Indicator Lights



Front panel snap in mounting.

Lens/body transparent polycarbonate, dust and moisture resistant.

### ALTERNATIVES

- Custom lead lengths
- Wire colors
- Custom strip lengths
- Custom lens colors
- 12.0mm Mounting dia 2820
- 14.0mm Mounting dia 579

### ELECTRICAL APPROVALS

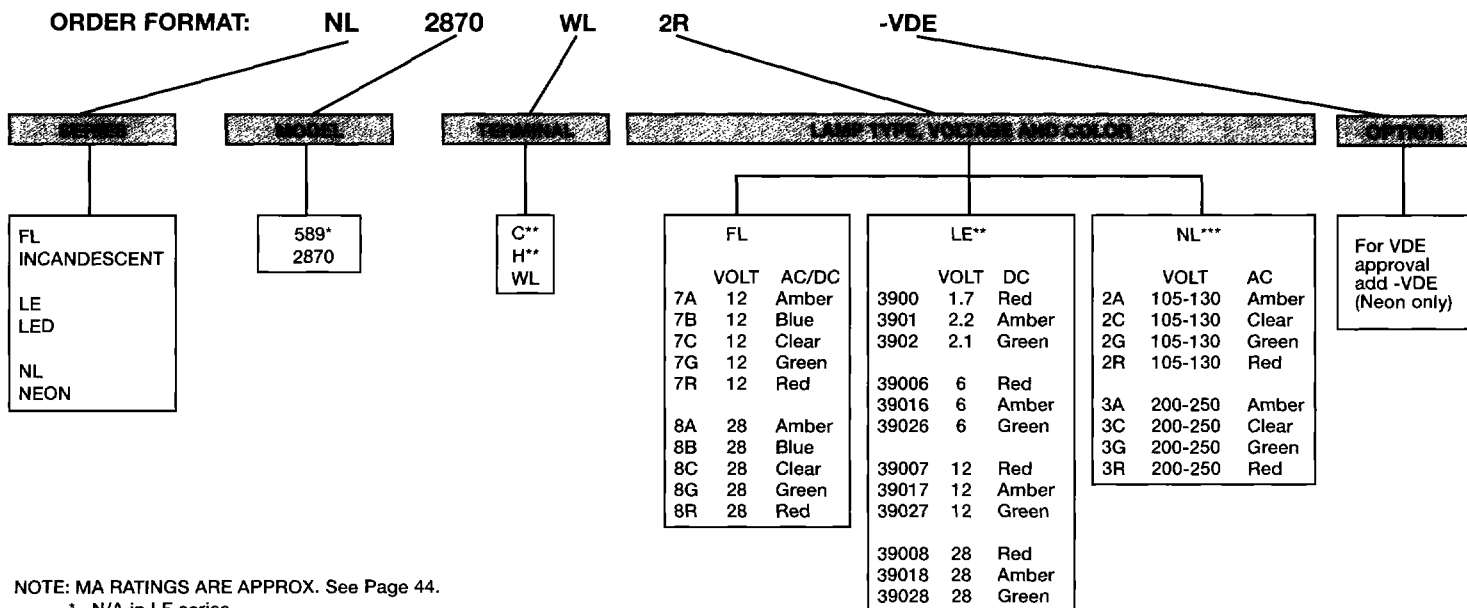
UL / CSA Models made in USA  
 UL E78783  
 CSA LR47253

UL / CSA / VDE Models made in UK\*\*\*\*  
 UL E63363  
 CSA LR29381  
 VDE 6178-4200-1001

For additional approvals consult factory.

DIMENSIONS		TERMINATION		PANEL CUT OUT			
589	15.9 (.626)	C 6.35 (.250) Tab		Model 589	Model 2870		
	3.2 (.126)						
2870	13.6 (.535)	H 4.80 (.187) Tab		Panel cut out diameter	Panel thickness* Max		
	5.0 (.197)						
	21.6 (.850)			12.7 (.500)	12.7 (.500)		
	10.5 (.413)			0.8 (.031)	.75 (.029)		
				1.5 (.059)	2.0 (.078)		
				*For thicker panels a push on internal tooth lockwasher is available. P/N N17			
				<b>SPECIFICATIONS</b>			
		WL Wire leads		Series	Voltage	Current	Estimated Life Hrs
		UL & CSA Versions UL1015, CSA TEW 105C 18AWG Stranded 5 Inch min length 1/4 Inch strip Wire colors; Black FL and NL Series Black and Red LE Series		FL	12 AC*	80ma	15k
					28 AC*	40ma	7k
				LE	1.7-28V DC	20ma	100k
				NL	105-250V AC	1.2-1.9ma	25k 15k Green
				*On DC approx 50% of AC LIFE. LED Data See Page 44			

Above models illustrated with "C" style terminal.



NOTE: MA RATINGS ARE APPROX. See Page 44.

\* N/A in LE series

\*\* N/A in LE series for 28V

\*\*\* For 28V resistor inline on Red lead

\*\*\*\* VDE Approved 125V or 250V add VDE to P/N  
 P/N EX: NL2870C3G-VDE