

**MICRO SWITCH**  
 FREEPORT ILLINOIS U.S.A.  
 A DIVISION OF HONEYWELL  
 FED MFG CODE 81928

**SWITCH-TOGGLE**

CATALOG LISTING  
**1TL156 SERIES**  
**CHART 2**

THIS DRAWING COVERS A PROPRIETARY ITEM AND IS THE PROPERTY OF MICRO SWITCH, A DIVISION OF HONEYWELL. THIS DRAWING IS NOT TO BE COPIED OR USED WITHOUT THE APPROVAL OF MICRO SWITCH.

CATALOG LISTING	AVAILABLE LOCKING COMBINATIONS FOR CONFIGURATION SEE LETTERING DETAILS	CIRCUIT MADE WITH TOGGLE LEVER IN			MILITARY RATING (AMPS)															
		KEYWAY SIDE (1-2,4-5)	CENTER (1-2,4-5)	OPPOSITE KEYWAY (2-3,5-6)	RESISTIVE LOAD		LAMP LOAD		IND. LOAD											
					DC VOLTS	AC VOLTS	28 VDC	125 VAC	28 VDC	125 VAC	28 VDC	125 VAC								
1TL156-1	A,B,D,E,F,G,H,J,K,L,M,NP	ON	OFF	ON																
1TL156-2	D, F, G	OFF	NONE	ON																
1TL156-3	D, F, G	ON	NONE	ON	20	.75	.5	15	6	5	3	15	10	(REFER TO L191 FOR UL RATING)						
1TL156-21	E, F, K, M	NONE	OFF	ON																
1TL156-31	E, F, K, M	NONE	ON	ON																
1TL156-4	F	MOM OFF	NONE	ON																
1TL156-5	E, F, K, L, M, N	MOM ON	OFF	ON																
1TL156-6	F	MOM ON	NONE	OFF																
1TL156-7	E, L, N	MOM ON	OFF	MOM ON	15	.75	.5	15	6	4	2	10	7	(REFER TO L192 FOR UL RATING)						
1TL156-8	F	MOM ON	NONE	ON																
1TL156-51	E	NONE	ON	MOM ON																
1TL156-61	E	MOM ON	OFF	NONE																

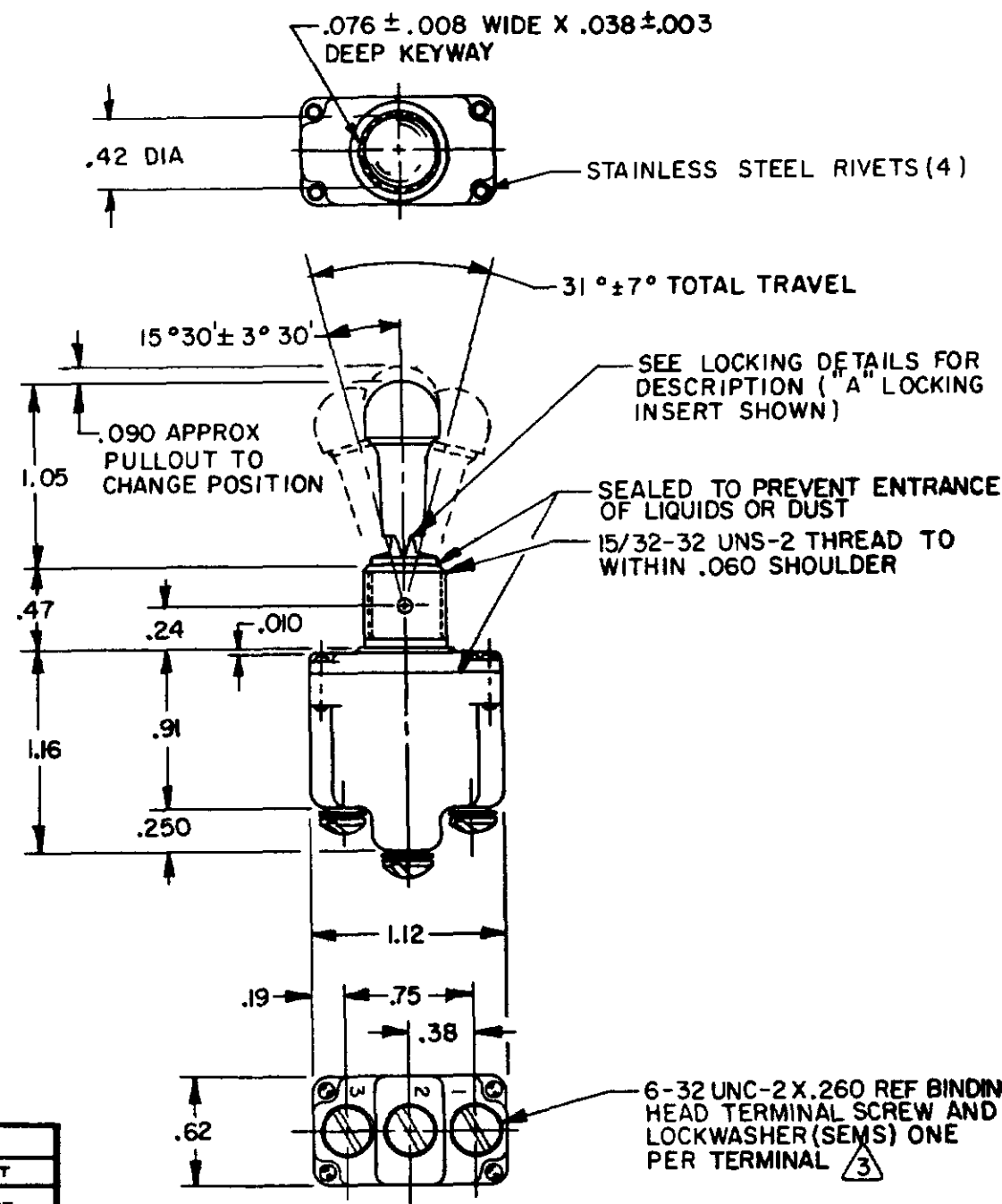
CATALOG LISTING  
**1TL156 SERIES CHART 2**  
 PAGE 1 OF 1

ISSUE  
**M**  
 7

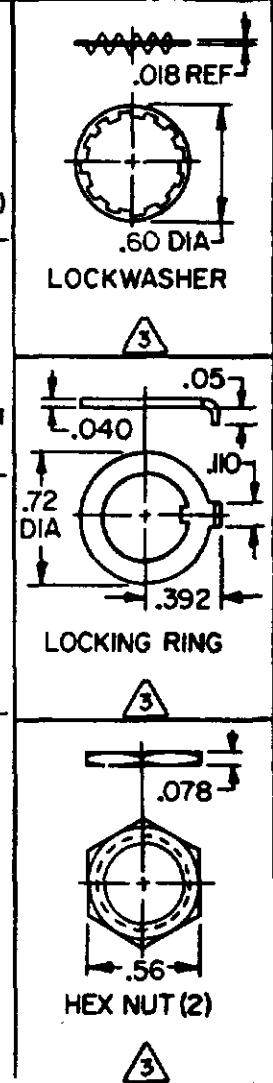
REVISIONS  
 A CO77942  
 J A F  
 28 JUN 94  
 B CO-94430  
 J J A  
 10 NOV 99

FORMTEK  
 DRAWN  
 JAF  
 28 JUN 94

CHECK  
 RELEASE NO PR-8719  
 REPLACES



"A" LOCKED IN THREE POSITIONS	"B" LOCKED IN CENTER AND EXTREME POSITION (KEYWAY SIDE)	"D" LOCKED OUT OF CENTER POSITION	"E" LOCKED IN CENTER POSITION	"F" LOCKED IN EXTREME POSITION (OPPOSITE KEYWAY)
"G" LOCKED IN EXTREME POSITION (KEYWAY SIDE)	"H" LOCKED OUT OF CENTER AND EXTREME POSITION (KEYWAY SIDE)	"J" LOCKED OUT OF CENTER AND EXTREME POSITION (OPPOSITE KEYWAY)	"K" LOCKED IN CENTER AND EXTREME POSITION (OPPOSITE KEYWAY)	"L" LOCKED OUT OF EXTREME POSITION (KEYWAY SIDE)
"M" LOCKED OUT OF AND INTO EXTREME POSITION (OPPOSITE KEYWAY)	"N" LOCKED OUT OF EXTREME POSITION (OPPOSITE KEYWAY)	"P" LOCKED OUT OF AND INTO EXTREME POSITION (KEYWAY SIDE)		



**NOTES**

1 - SWITCHES ARE CAPABLE OF WITHSTANDING A TEMPERATURE OF 160°F CONTINUOUSLY AT FULL RATED LOAD

2 - CIRCUIT DESIGNATION AND MICRO SWITCH CATALOG LISTING MARKED ON SIDE OF SWITCH

3 FURNISHED UNASSEMBLED

5 KEYWAY SHOWN ON LEFT SIDE

6 SUFFIX LETTER MUST BE ADDED FOR DESIRED TYPE OF TOGGLE LOCKING. SEE CHART FOR AVAILABLE LOCKING COMBINATIONS

7 APPLIES ONLY TO "ON" AND "MOMENTARY ON" POSITIONS

**SCALE FULL**  
 DO NOT SCALE PRINT

UNLESS OTHERWISE NOTED  
 DIMENSIONS ARE IN INCHES

**TOLERANCES ARE:**

ONE PLACE (.0)	±.000
TWO PLACE (.00)	±.005
THREE PLACE (.000)	±.0008

ANGLES ±.005

**WEIGHT .08 LBS APPROX**

L191 15A 125, 250, 277 VAC 1/2HP 125 VAC 1HP 250, 277 VAC 5A 125 VAC "L"	L192 10A 125, 250, 277 VAC 1/4HP 125 VAC, 1/2HP 250, 277 VAC 3A 125 VAC "L"
---	--