

AMPHENOL PART NUMBER CONFIGURATION:

U65 - X XX - X X 6 XXX

INFINITY
RECEPTACLE

STYLE

B = R/A SMT, 2 LOCATION
AND 4 SOLDERING POSTS
E = R/A SMT, 2 LOCATION
AND 4 SCREW MOUNT HOLES

CONNECTOR TYPE

04 = 4X
12 = 12X

PLATING

1 = 50µ" GOLD
2 = 30µ" GOLD
3 = GOLD FLASH OVER
PALLADIUM-NICKEL (LEAD FREE)
4 = 50µ" GOLD (RoHS COMPLIANT)
5 = 30µ" GOLD (RoHS COMPLIANT)

OPTION

0= 2 PIECE LOCKING PLATE (SHIPPED LOOSE)
1= ONE PIECE LOCKING PLATE (SHIPPED LOOSE)
2= NO LOCKING PLATE
3= NO LOCKING PLATE AND NO GASKET
4= NO LOCKING PLATE WITH SPECIAL EMI GASKET
(LANYARD ONLY)

1. MATERIAL:

PLASTIC HOUSING:

HIGH TEMPERATURE RESISTANT NYLON, FLAMMABILITY RATING UL94V-0.

CONTACTS:

PHOSPHOR BRONZE

PLATING OPTION 1 OR 2 (50µ" OR 30µ" GOLD):

50µ" [1.27 µm] OR 30µ" [0.76 µm] MIN. GOLD OVER 50µ" [1.27 µm] MIN. NICKEL ON CONTACT
MATING SURFACES. 150µ" [3.81 µm] MIN. TIN-LEAD (90/10) OVER 50µ" [1.27 µm] NICKEL ON CONTACT TAILS.

PLATING OPTION 3 (GOLD FLASH OVER PALLADIUM-NICKEL):

2µ" [0.05 µm] MIN. GOLD OVER 25µ" [0.635 µm] MIN. PALLADIUM-NICKEL ON CONTACT MATING
SURFACES. 0.3µ" [0.007 µm] MIN. GOLD OVER 1.2µ" [0.03 µm] MIN. PALLADIUM-NICKEL ON
CONTACT TAILS. 50µ" [1.27 µm] MIN. NICKEL UNDER PLATING.

PLATING OPTION 4 OR 5 (RoHS) (50µ" OR 30µ" GOLD):

50µ" [1.27 µm] OR 30µ" [0.76 µm] MIN. GOLD OVER 50µ" [1.27 µm] MIN. NICKEL ON CONTACT
MATING SURFACES. 2µ" [0.05 µm] MIN. GOLD OVER 50µ" [1.27 µm] MIN. NICKEL ON CONTACT TAILS.

METAL SHELL:

DIE CASTING ALLOY

PLATING:

100µ" [2.54 µm] MIN. NICKEL OVER COPPER UNDER LAYER

GASKET:

STAINLESS STEEL

LOCKING PLATE:

STAINLESS STEEL

M2 SCREWS:

STEEL WITH ZINC PLATING

2. TEMPERATURE RANGE:

-40°C TO +85°C

REVISIONS			
SYM	ZONE	ECN, ERN NO.	DATE
E		PROPOSAL	2009/01/27

THIS IS A CAD DRAWING. DO NOT MANUALLY REVISE.

PACKAGING/SPECIAL

(NOTE: ALL "M" OPTIONS ARE FOR STYLE E
WITH .062" TO .093" THICK PCB'S ONLY)
NO DIGIT = TRAY PACKAGING
NO REAR COVER
C = TRAY PACKAGING
WITH REAR COVER (SHIPPED LOOSE)
M = TRAY PACKAGING, NO REAR COVER,
M2 SCREWS INCLUDED (SHIPPED LOOSE)
CM = TRAY PACKAGING, W/ REAR COVER,
M2 SCREWS INCLUDED (BOTH SHIPPED LOOSE)
T = TAPE & REEL PACKAGING
NO REAR COVER
CT = TAPE & REEL PACKAGING
W/ REAR COVER (SHIPPED LOOSE)
MT = TAPE & REEL PACKAGING, NO REAR COVER,
M2 SCREWS INCLUDED (SHIPPED LOOSE)
CMT = TAPE & REEL PACKAGING, W/ REAR COVER,
M2 SCREWS INCLUDED (BOTH SHIPPED LOOSE)

KEYING OPTION

0 = NO KEYING (STD)
1 = KEYING 1 & 6
2 = KEYING 2 & 6
3 = KEYING 3 & 5
4 = KEYING 4 & 5

MOUNTING STYLE

LANYARD LATCH, (4) SOLDER
POSTS OR (4) MOUNTING HOLES

DRAWN	M.LONG	DATE	2005/05/17
DESIGNED			
CHECKED	J.SI	DATE	2005/05/17
I. E. APPRD.			
Q. A. APPRD.			
DWG. APPRD.			
ENG. REL. NO.			
REF.			
DIMENSIONS ARE IN	CODE ID. NO.		
INCHES [mm]	03554		

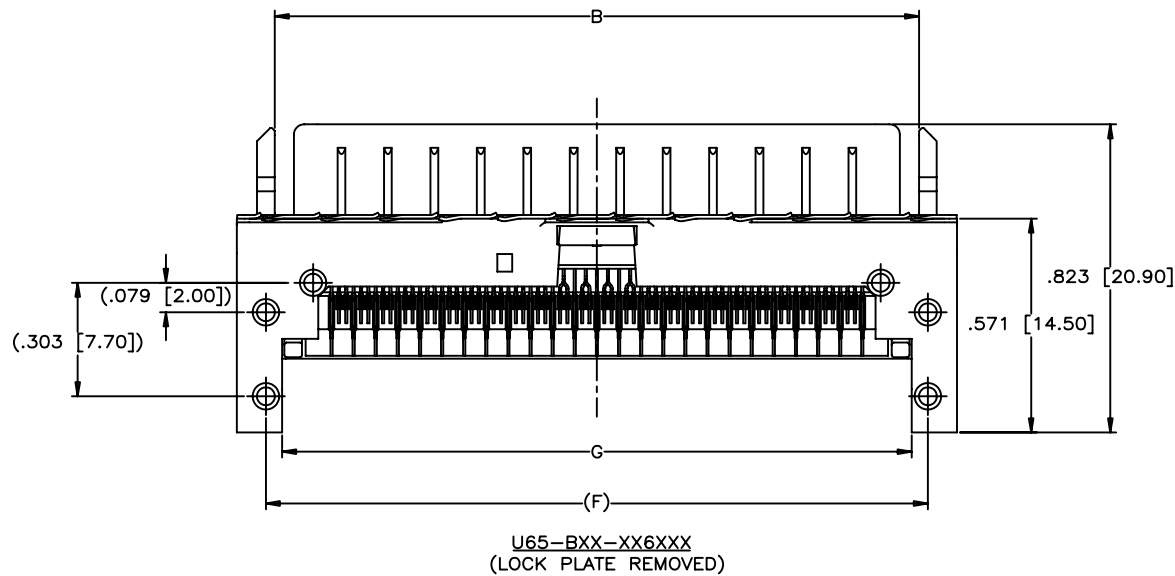
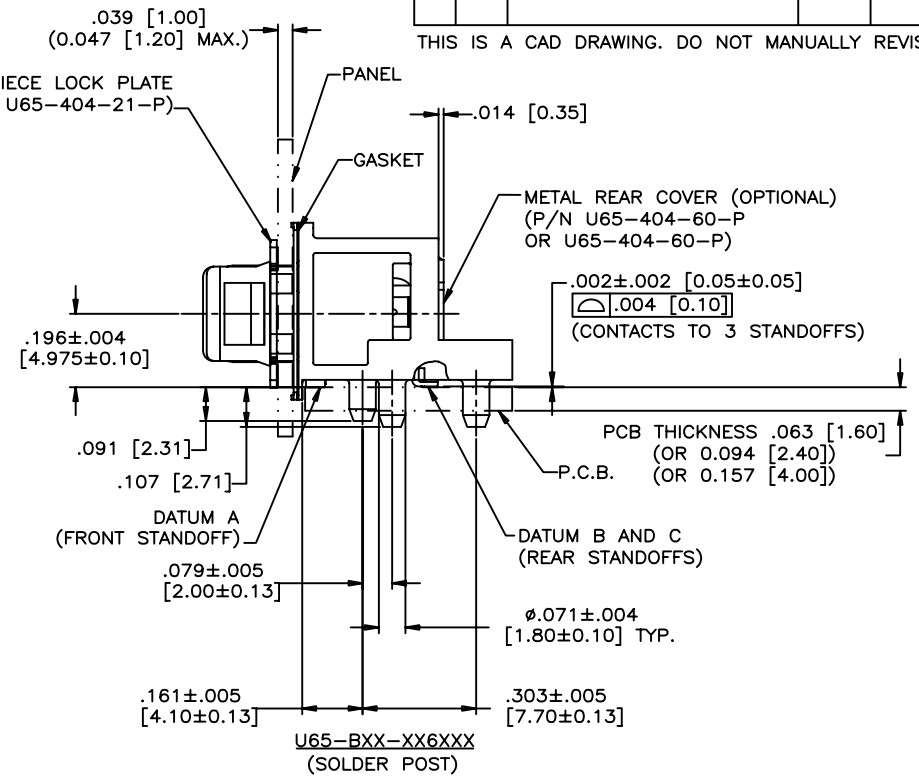
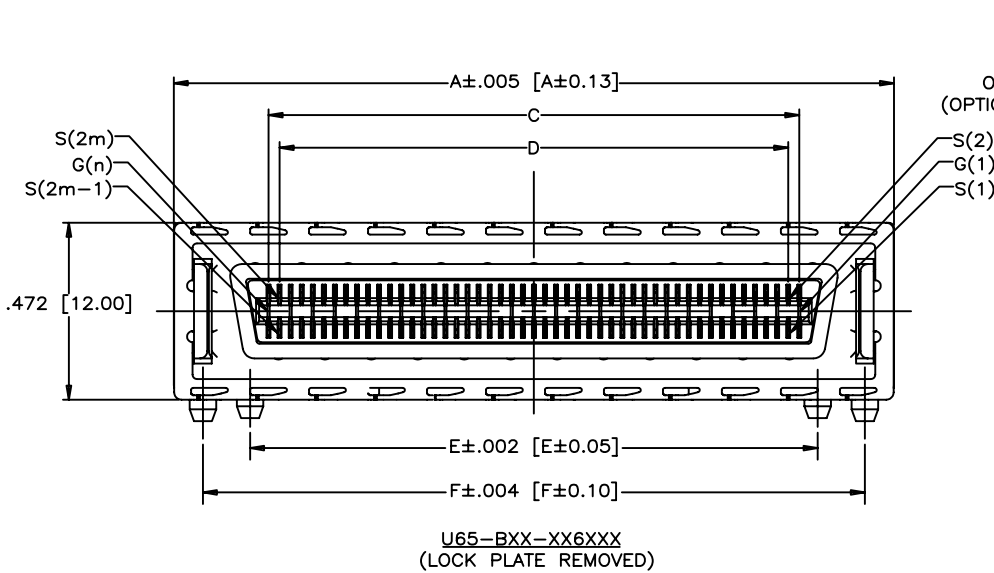
Amphenol Canada Corp.

TITLE
INFINITY 4X/12X RECEPTACLE, LANYARD
STYLE, FIXED BOARD, RIGHT ANGLE SMT,
(4) SOLDER POSTS OR (4) MOUNTING HOLES

DWG	DRAWING NO.	REV.
A	P-U65-XXX-XX6XXX	E
SCALE	2/1	WT. -----
		SURF. -----
		SHEET 1 OF 4

REVISIONS				
SYM	ZONE	ECN, ERN NO.	DATE	APPRD.
E		PROPOSAL	2008/01/27	

THIS IS A CAD DRAWING. DO NOT MANUALLY REVISE.



DIMENSION TABLE:

PART NUMBER	U65-X04-XX6XXX	U65-X12-XX6XXX
A	.978 [24.85]	1.923 [48.85]
B	.776 [19.70]	1.720 [43.70]
C	.472 [12.00]	1.417 [36.00]
D	.413 [10.50]	1.358 [34.50]
E	.571 [14.50]	1.516 [38.50]
F	.823 [20.90]	1.768 [44.90]
G	.736 [18.70]	1.681 [42.70]
H	.894 [22.70]	1.839 [46.70]
K	.776 [19.70]	1.720 [43.70]
m	m = 1 - 8	m = 1 - 24
n	n = 1 - 9	n = 1 - 25
P	.207 [5.25]	.679 [17.25]
R	.089 [2.25]	.561 [14.25]
S	.148 [3.75]	.620 [15.75]

** REFER TO [mm] AS PRIMARY DIMENSIONS.

THIS DOCUMENT CONTAINS PROPRIETARY INFORMATION AND SUCH INFORMATION MAY NOT BE DISCLOSED TO OTHERS FOR ANY PURPOSE OR USED FOR MANUFACTURING PURPOSES WITHOUT WRITTEN PERMISSION FROM AMPHENOL CANADA CORP.

DRAWN	M.LONG	DATE	2005/05/17
DESIGNED			
CHECKED	J.SI	DATE	2005/05/17
I. E. APPRD.			
Q. A. APPRD.			
DWG. APPRD.			
ENG. REL. NO.			
REF.			
DIMENSIONS ARE IN	CODE ID. NO.		
INCHES [mm]	03554		

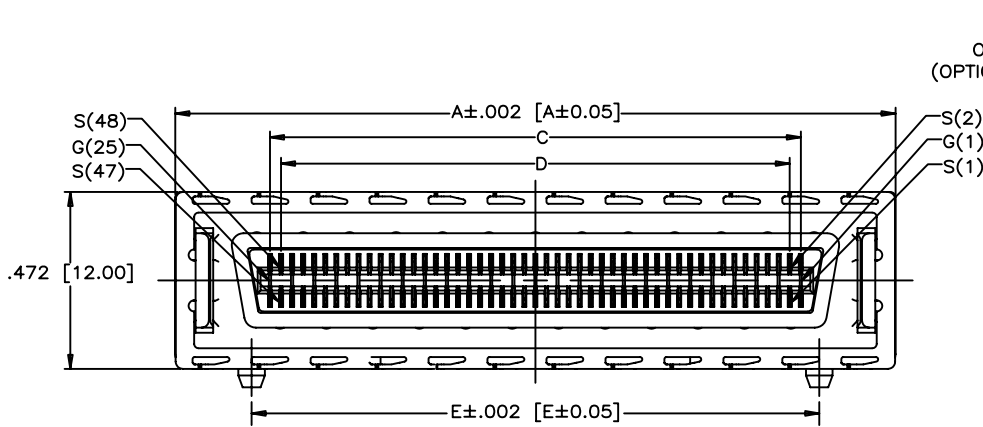
Amphenol Canada Corp.

TITLE
INFINITY 4X/12X RECEPTACLE, LANYARD
STYLE, FIXED BOARD, RIGHT ANGLE SMT,
(4) SOLDER POSTS OR (4) MOUNTING HOLES

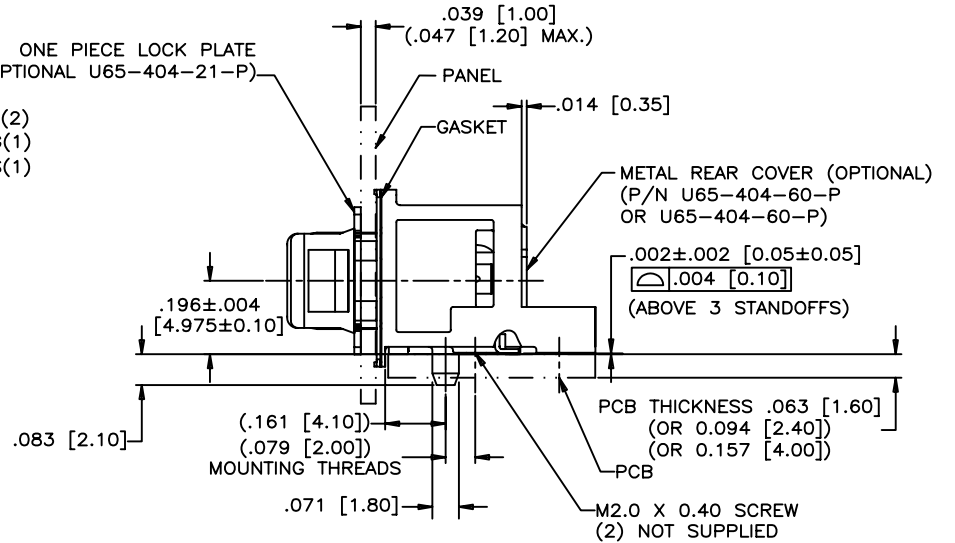
DWG	DRAWING NO.	REV.
A	P-U65-XXX-XX6XXX	E

REVISIONS			
SYM	ZONE	ECN, ERN NO.	DATE
E		PROPOSAL	2008/01/27

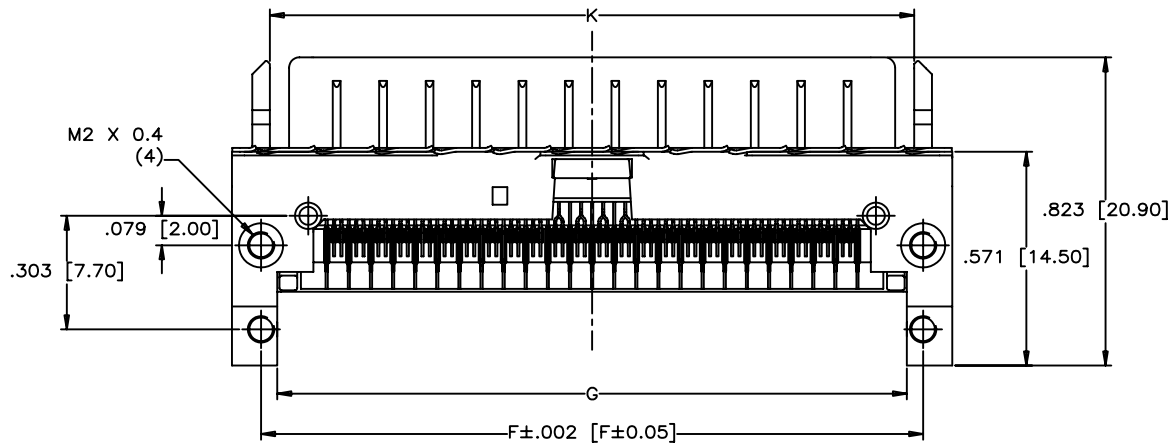
THIS IS A CAD DRAWING. DO NOT MANUALLY REVISE.



U65-EXX-XX6XXX
(LOCK PLATE REMOVED)



U65-EXX-XX6XXX
(SCREW MOUNT)



U65-EXX-XX6XXX
(LOCK PLATE REMOVED)

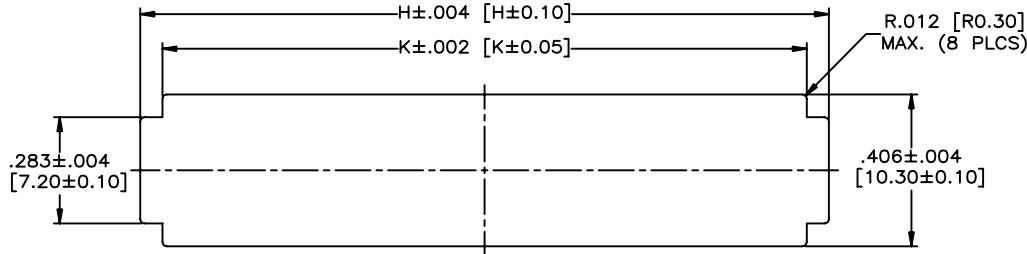
DRAWN	M.LONG	DATE	2005/05/17
DESIGNED			
CHECKED	J.SI	DATE	2005/05/17
I. E. APPRD.			
Q. A. APPRD.			
DWG. APPRD.			
ENG. REL. NO.			
REF.			
DIMENSIONS ARE IN	CODE ID. NO.		
INCHES [mm]	03554		

Amphenol Canada Corp.			
TITLE			
INFINITY 4X/12X RECEPTACLE, LANYARD			
STYLE, FIXED BOARD, RIGHT ANGLE SMT,			
(4) SOLDER POSTS OR (4) MOUNTING HOLES			
DWG	DRAWING NO.	REV.	
A	P-U65-XXX-XX6XXX	E	
SCALE	2/1	WT.	-----
SURF.	-----	SHEET	3 OF 4

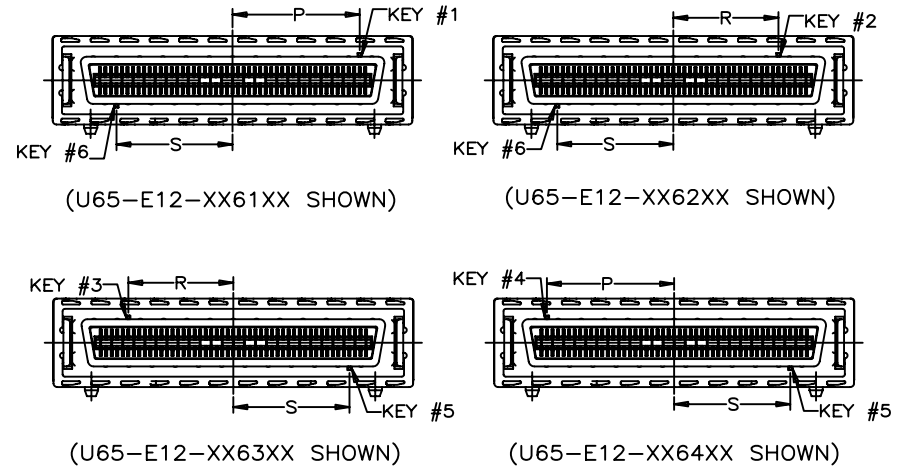
THIS DOCUMENT CONTAINS PROPRIETARY INFORMATION AND SUCH INFORMATION MAY NOT BE DISCLOSED TO OTHERS FOR ANY PURPOSE OR USED FOR MANUFACTURING PURPOSES WITHOUT WRITTEN PERMISSION FROM AMPHENOL CANADA CORP.

REVISIONS				
SYM	ZONE	ECN, ERN NO.	DATE	APPRD.
E		PROPOSAL	2008/01/27	

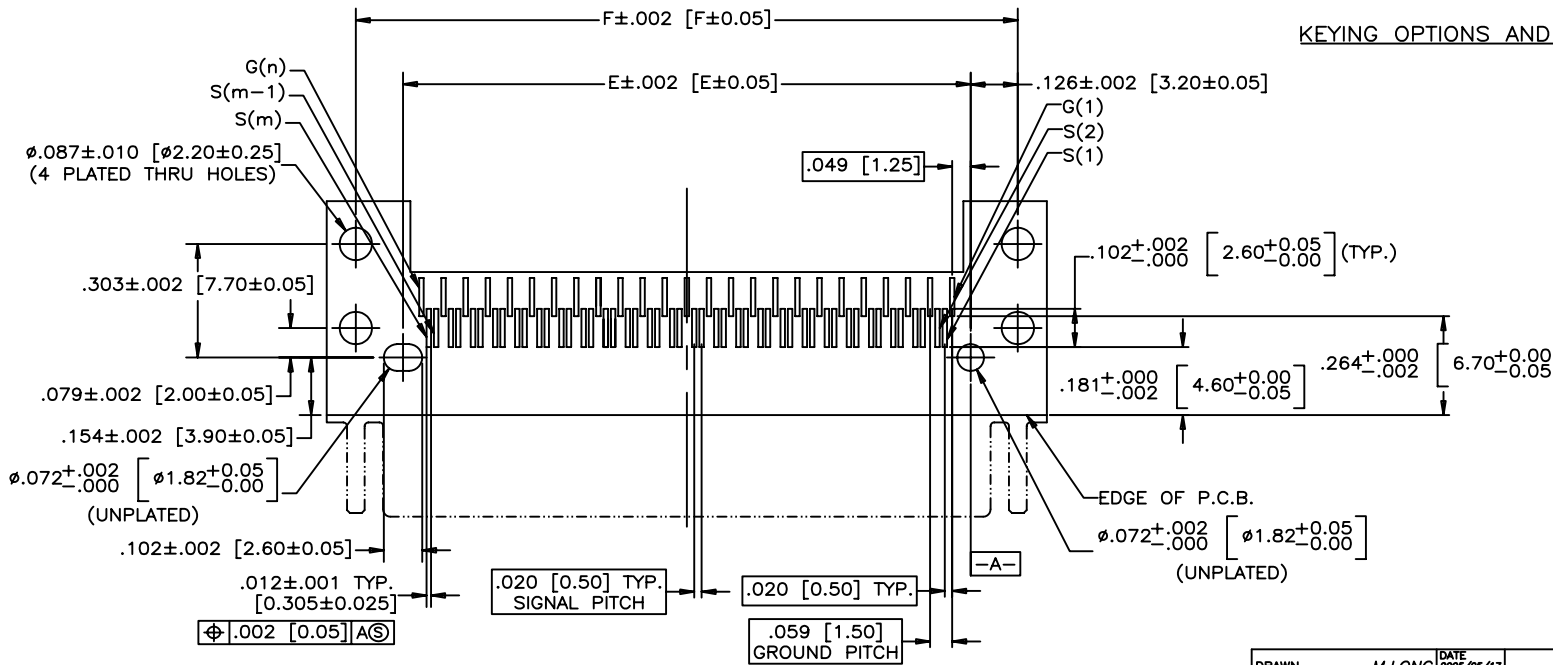
THIS IS A CAD DRAWING. DO NOT MANUALLY REVISE.



RECOMMENDED PANEL CUTOUT



KEYING OPTIONS AND LOCATIONS



RECOMMENDED P.C.B. LAYOUT
(COMPONENTS SIDE OF BOARD)

DRAWN	M.LONG	DATE	2005/05/17
DESIGNED			
CHECKED	J.SI	DATE	2005/05/17
I. E. APPRD.			
Q. A. APPRD.			
DWG. APPRD.			
ENG. REL. NO.			
REF.			
DIMENSIONS ARE IN	CODE ID. NO.		
INCHES [mm]	03554		

Amphenol Canada Corp.	
TITLE	INFINITY 4X/12X RECEPTACLE, LANYARD STYLE, FIXED BOARD, RIGHT ANGLE SMT, (4) SOLDER POSTS OR (4) MOUNTING HOLES
DWG. A	DRAWING NO. P-U65-XXX-XX6XXX
SCALE	2/1
WT.	-----
SURF.	-----
SHEET	4 OF 4

THIS DOCUMENT CONTAINS PROPRIETARY INFORMATION AND SUCH INFORMATION MAY NOT BE DISCLOSED TO OTHERS FOR ANY PURPOSE OR USED FOR MANUFACTURING PURPOSES WITHOUT WRITTEN PERMISSION FROM AMPHENOL CANADA CORP.