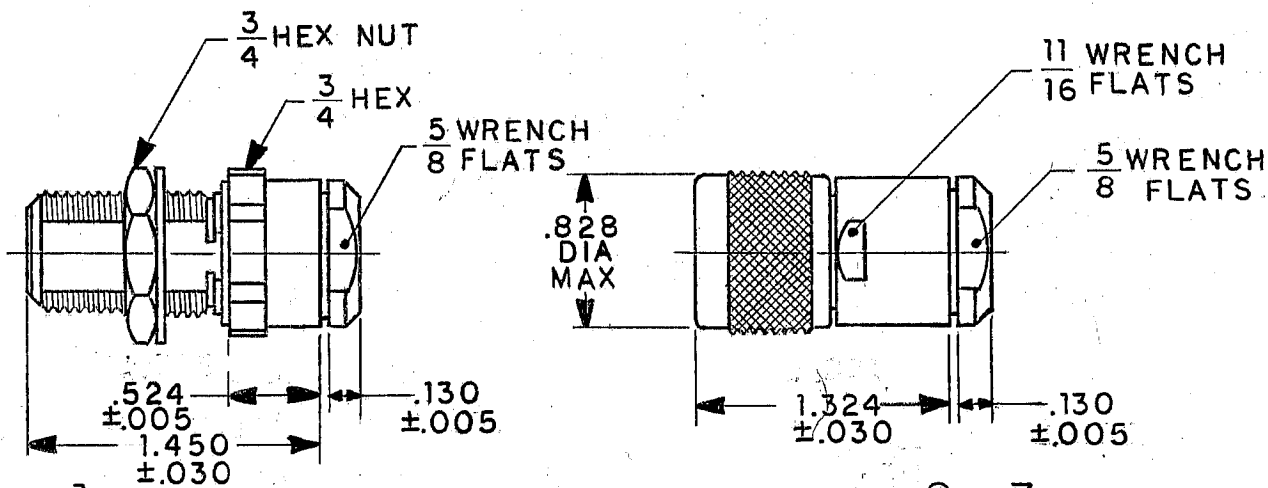


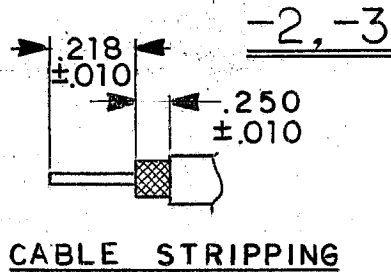
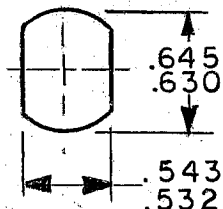
DATA CONTAINED IN THIS DOCUMENT IS PROPRIETARY TO TROMPETER ELECTRONICS INC. AND SHALL NOT BE DISCLOSED, COPIED OR USED FOR PROCUREMENT OR MANUFACTURE WITHOUT EXPRESS WRITTEN PERMISSION.

REV	EO	1005 - 0981		SH 1
LTR	NO	DWN	APPROVED	DATE
E	6658	SC	<i>SC</i>	2-8-85
F	7370	JSA	F3, BAK	1-19-87

DASH NO	CONNECTOR TYPE	CABLE ACCOMODATED
- 1	UBJ95, N 75 Ω JACK	△ 2
- 2	UPL95, N 75 Ω PLUG	△ 2
- 3	UPL95, N 75 Ω PLUG	1263-3301, MALCO



**RECOMMENDED  
PANEL CUTOUT  
FOR -1 ONLY  
MAX PNL THK, .310**



3. EXAMPLE OF COMPLETE PART NO:

1005-0981-1 X

DASH NO. ——— OMIT FOR 9292

A = 8213

B = 621-100

△ 75 OHM, TYPE N COAXIAL BULKHEAD JACK/PLUG FOR BELDEN 9292 OR 8213 & ESSEX 621-100 CABLE

1. FINISH: TFS-1A (NICKEL)

CUSTOMER NETWORK SYSTEMS	UNLESS OTHERWISE SPECIFIED ALL DIM ARE IN INCHES			<b>TROMPETER ELECTRONICS, INC.</b>		UBJ95/UPL95-9292 8213 / 621-100/ 1263-3301	
	DWN	SC	12-20-84	MATERIAL	CODE IDENT	DRAWING NO.	REV
	CHK	<i>DC</i>	1-8-85	—	<b>14949</b>	1005-0981	F
	ENGR	<i>Vm</i>	2-6-85				
NEXT ASSY	APPR	<i>W</i>	2-7-85	SCALE —	DATE 2-19-79	SHEET 1 OF 6	

1005-0981