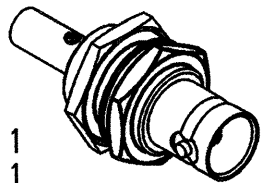
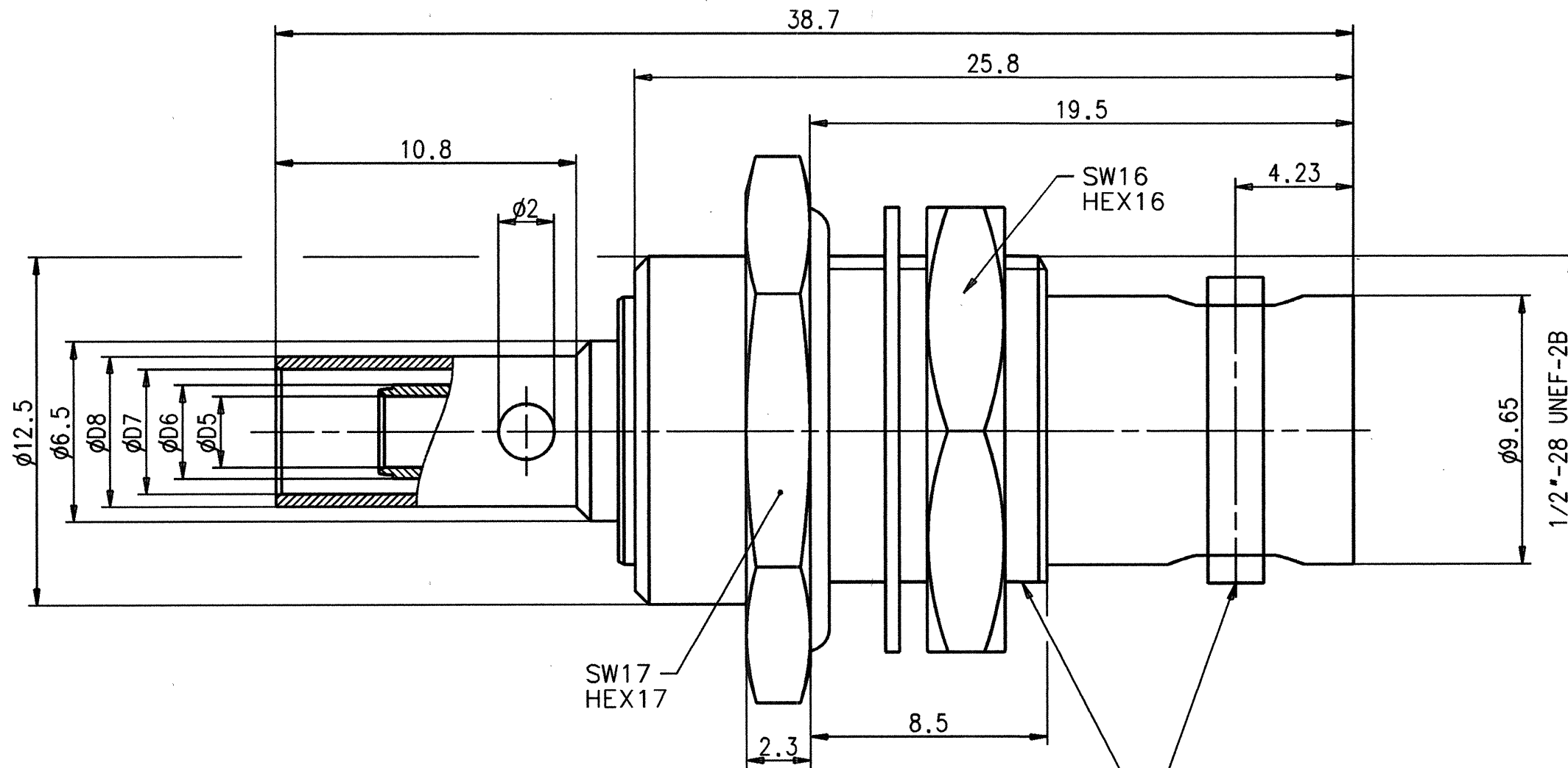
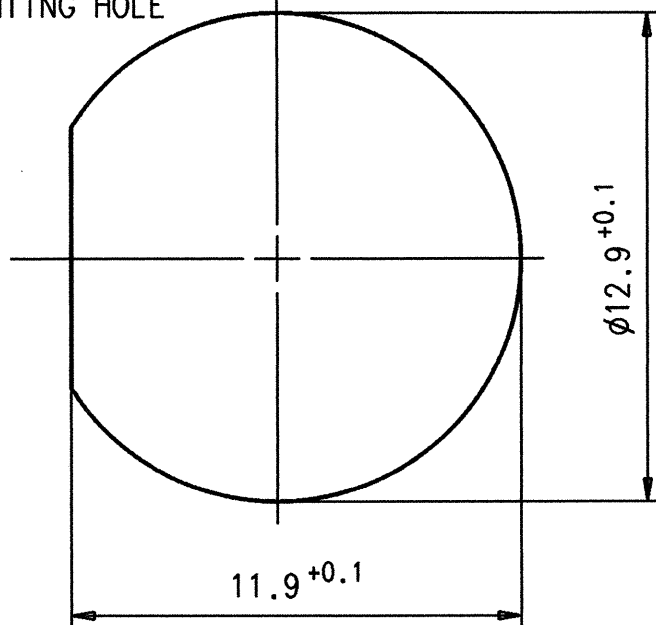


M1:1
S1:1



MONTAGEDURCHBRUCH
MOUNTING HOLE



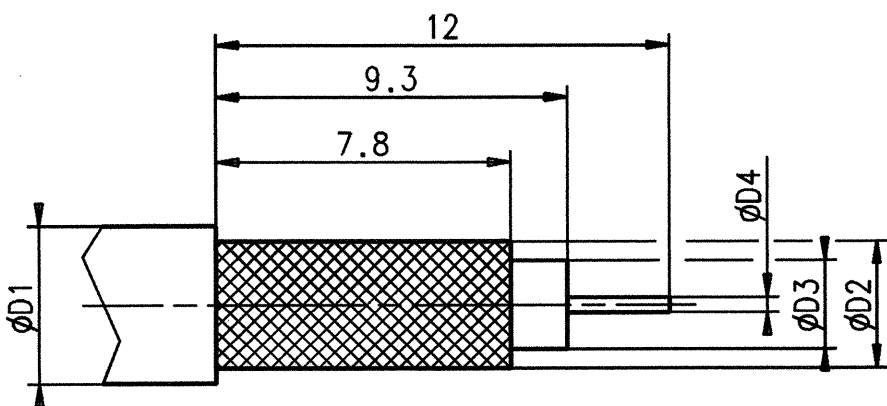
PART	MATERIAL	FINISH
CENTRE CONTACT	CUBE	Au
OUTER CONTACT	BRASS	Au
INSULATOR	PTFE	
REST	BRASS	OPTALLOY/Ni

FLÄCHE UND ZAPFEN POSITIONIERT
FLATSURFACE AND BEARING SAME ALIGNMENT

Fuer Kabel /
For cable

gr.	Type Typ	$\phi D1$ max.	$\phi D2$ max.	$\phi D3$ max.	$\phi D4$ max.	$\phi D5$	$\phi D6$	$\phi D7$	$\phi D8$	Crimp Aussen/out	Crimp Innen/in
a	Filotex 0,25 RG 179; RG 187	2,60	1,90	1,45	0,26	1,70	2,30	2,92	3,42	2,95	1,2
b											
c											
d	Filotex 0,4 Flex 3/75	4,22	3,40	2,38	0,41	2,56	3,37	4,48	5,52	4,6	1,2
e											
f											
g											

KABELZUSCHNITT
STRIPPING DIMENSION



		ALLGEMEINTOL. ISO 2768 mH	75 Ω	Masstab: 5:1(1:1)
		Datum 06.08.99	Name Glatz	BNC-CHASSISANBAUBUCHSE BNC-P.C.B. MOUNT BULKHEAD JACK
Gestellware Ja <input type="checkbox"/> Nein <input checked="" type="checkbox"/> X Werkstueckkanten: -0.1 $+0.1$ Grossserienteil gefertigt nach Anlage AGK 2677, AGK 2678, AGK 2679 <input type="checkbox"/> Ja <input type="checkbox"/>		Verpackung NR. : 1010160 Anzahl: 80		
QP TM PA LV SP () Konstruktions- masse		Masse werden bei Abnahme gesondert geprueft: DIN-406		Werkstueckvolumen $V = \text{mm}^3$
Werkstueckoberflaeche $A = \text{mm}^2$		Nr.	Zust.	Aenderung
		Datum	Name	



Page content

Markets Products Company

Online catalog

Back to product finder

For further information, please [click here](#)

Products

RF-Cable assembly creator

RF-Coaxial connectors

General informations

Family specifications

Online catalog

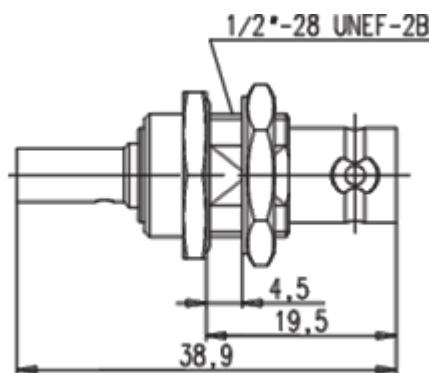
Assembly instructions

Components for mobile devices

Previous

BNC - Cable mount bulkhead jack (f) 75 ohm

Next



Part Number 2801.05.2410.0A5

Cable type RG 179 B/U
RG 187
Filotex® 0.25

Plating 5 = White bronze
9 = Ni

Fitting position Rear mounting

Cable termination Full crimp version

Feature Strip dimensions
available on request

Assembly instruction M55

Drawing [Download PDF](#)

[RF product finder](#)
[Sales contact](#)



SnapN RF coaxial connector



RoHS compliance at IMS Connector System

Qty.

1

Shipping date

Add to quote request form

Product style (1 found)

Ohm Part Number

BNC

[Cable mount bulkhead jack](#)

75

[2801.05.2410.0A5](#)

● available ex stock

[Search](#) | [Imprint](#) | [Legal & Privacy](#) | [Site i](#)



IMS CONNECTOR SYSTEMS
Your global connection



Page content

Markets Products Company

Online catalog

[Back to product finder](#)

For further information, please [click here](#)

Products

RF-Cable assembly creator

RF-Coaxial connectors

General informations

Family specifications

Online catalog

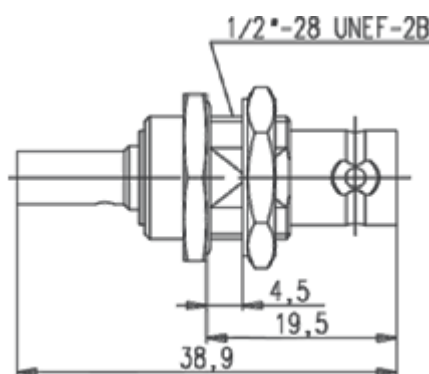
Assembly instructions

Components for mobile devices

[Previous](#)

BNC - Cable mount bulkhead jack (f) 75 ohm

[Next](#)



Part Number 2801.05.2410.0D5

Cable type Filotex® 0.4
Flex 3/75

Plating 5 = White bronze
9 = Ni

Fitting position Rear mounting

Cable termination Full crimp version

Feature Strip dimensions
available on request

Assembly instruction [M55](#)

Drawing [Download PDF](#)

[RF product finder](#)
[Sales contact](#)



Qty. Shipping date

[Add to quote request form](#)

Product style (1 found)

Ohm Part Number

BNC

[Cable mount bulkhead jack](#)

75

[2801.05.2410.0D5](#)

● available ex stock

[Search](#) | [Imprint](#) | [Legal & Privacy](#) | [Site i](#)