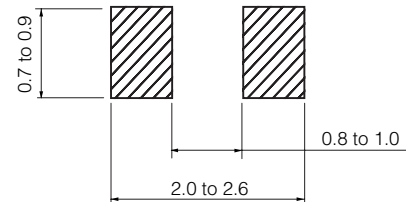
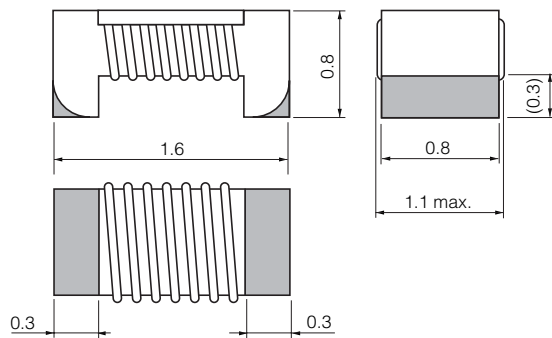


### ■ NJ Type 1608 (0603)

● Dimensions in mm (not to scale)

● Recommended Land Pattern in mm (not to scale)



### ■ Standard Packing Quantity

● 3000 pcs./Reel

### ■ Standard Parts

Part No.	Inductance		Q min.	L, Q Test Freq. (MHz)	SRF *1 (MHz)min.	DCR *2 (Ω)max.	DC Current (mA)max.
	(nH)	Tolerance					
ELJNJ6N8Z/EF2	6.8	±0.2 nH	35	250	6000	0.08	750
ELJNJ8N2Z/EF2	8.2	±0.5 nH			6000	0.10	650
ELJNJ10NG/JF2	10.0	±2 %			6000	0.10	650
ELJNJ12NG/JF2	12.0		6000		0.13	600	
ELJNJ15NG/JF2	15.0		5000		0.13	600	
ELJNJ18NG/JF2	18.0		5000		0.15	550	
ELJNJ22NG/JF2	22.0	±5 %	40	4600	0.17	500	
ELJNJ27NG/JF2	27.0			3800	0.20	440	
ELJNJ33NG/JF2	33.0	±2 %	38	200	3500	0.23	420
ELJNJ39NG/JF2	39.0				3200	0.25	400
ELJNJ47NG/JF2	47.0				3000	0.28	380
ELJNJ56NG/JF2	56.0				2700	0.30	360
ELJNJ68NG/JF2	68.0				2300	0.35	340
ELJNJ82NG/JF2	82.0				2200	0.48	290
ELJNJR10G/JF2	100.0	±5 %	34	150	2000	0.62	250
ELJNJR12G/JF2	120.0				1700	0.90	210
ELJNJR15G/JF2	150.0				1400	1.30	160
ELJNJR18G/JF2	180.0	±2 %	25	100	1300	2.00	140
ELJNJR22G/JF2	220.0				1200	2.20	120

\*1 : Self Resonant Frequency \*2 : DC Resistance