

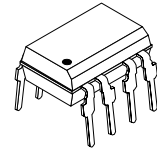
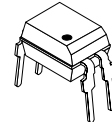
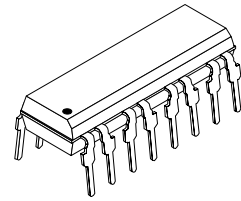


Optocoupler with Phototransistor Output

Description

The K817P/ K827PH/ K847PH consist of a phototransistor optically coupled to a gallium arsenide infrared-emitting diode in an 4-lead up to 16-lead plastic dual inline package.

The elements are mounted on one leadframe using a **coplanar technique**, providing a fixed distance between input and output for highest safety requirements.



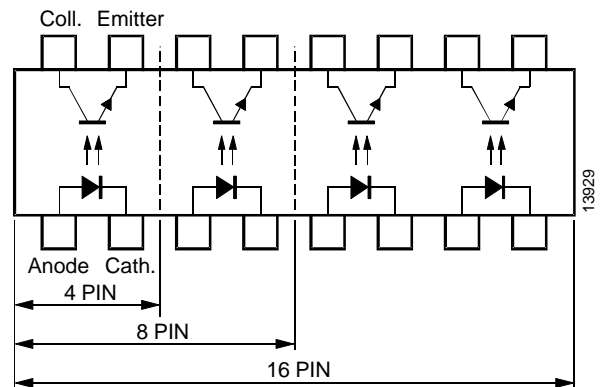
14925

Applications

- Programmable logic controllers, modems, answering machines, general applications

Features

- Endstackable to 2.54 mm (0.1') spacing
- DC isolation test voltage $V_{IO} = 5 \text{ kV}$
- Low coupling capacitance of typical 0.3 pF
- **Current Transfer Ratio (CTR)** selected into groups
- Low temperature coefficient of CTR
- Wide ambient temperature range
- Underwriters Laboratory (UL) 1577 recognized, file number E-76222
- **CSA (C-UL)** 1577 recognized, file number E- 76222 - Double Protection
- Coupling System U



Order Instruction

Ordering Code	CTR Ranking	Remarks
K817P	50 to 600%	4 Pin = Single channel
K827PH	50 to 600%	8 Pin = Dual channel
K847PH	50 to 600%	16 Pin = Quad channel
K817P1	40 to 80%	4 Pin = Single channel
K817P2	63 to 125%	4 Pin = Single channel
K817P3	100 to 200%	4 Pin = Single channel
K817P4	160 to 320%	4 Pin = Single channel
K817P5	50 to 150%	4 Pin = Single channel
K817P6	100 to 300%	4 Pin = Single channel
K817P7	80 to 160%	4 Pin = Single channel
K817P8	130 to 260%	4 Pin = Single channel
K817P9	200 to 400%	4 Pin = Single channel

Absolute Maximum Ratings ($T_{amb} = 25^{\circ}\text{C}$)

Input (Emitter)

Parameter	Test Conditions	Symbol	Value	Unit
Reverse voltage		V_R	6	V
Forward current		I_F	60	mA
Forward surge current	$t_p \leq 10 \mu\text{s}$	I_{FSM}	1.5	A
Power dissipation	$T_{amb} \leq 25^{\circ}\text{C}$	P_V	100	mW
Junction temperature		T_j	125	$^{\circ}\text{C}$

Output (Detector)

Parameter	Test Conditions	Symbol	Value	Unit
Collector emitter voltage		V_{CEO}	70	V
Emitter collector voltage		V_{ECO}	7	V
Collector current		I_C	50	mA
Peak collector current	$t_p/T = 0.5, t_p \leq 10 \text{ ms}$	I_{CM}	100	mA
Power dissipation	$T_{amb} \leq 25^{\circ}\text{C}$	P_V	150	mW
Junction temperature		T_j	125	$^{\circ}\text{C}$

Coupler

Parameter	Test Conditions	Symbol	Value	Unit
AC isolation test voltage (RMS)	$t = 1 \text{ min}$	$V_{IO}^{1)}$	5	kV
Total power dissipation	$T_{amb} \leq 25^{\circ}\text{C}$	P_{tot}	250	mW
Operating ambient temperature range		T_{amb}	-40 to +100	$^{\circ}\text{C}$
Storage temperature range		T_{stg}	-55 to +125	$^{\circ}\text{C}$
Soldering temperature	2 mm from case, $t \leq 10 \text{ s}$	T_{sd}	260	$^{\circ}\text{C}$

¹⁾ Related to standard climate 23/50 DIN 50014

**Electrical Characteristics** ($T_{amb} = 25^{\circ}\text{C}$)**Input (Emitter)**

Parameter	Test Conditions	Symbol	Min.	Typ.	Max.	Unit
Forward voltage	$I_F = 50 \text{ mA}$	V_F		1.25	1.6	V
Junction capacitance	$V_R = 0 \text{ V}, f = 1 \text{ MHz}$	C_j		50		pF

Output (Detector)

Parameter	Test Conditions	Symbol	Min.	Typ.	Max.	Unit
Collector emitter voltage	$I_C = 100 \text{ }\mu\text{A}$	V_{CEO}	70			V
Emitter collector voltage	$I_E = 100 \text{ }\mu\text{A}$	V_{ECO}	7			V
Collector dark current	$V_{CE} = 20 \text{ V}, I_F = 0, E = 0$	I_{CEO}			100	nA

Coupler

Parameter	Test Conditions	Symbol	Min.	Typ.	Max.	Unit
Collector emitter saturation voltage	$I_F = 10 \text{ mA}, I_C = 1 \text{ mA}$	V_{CEsat}			0.3	V
Cut-off frequency	$I_F = 10 \text{ mA}, V_{CE} = 5 \text{ V}, R_L = 100 \text{ }\Omega$	f_c		100		kHz
Coupling capacitance	$f = 1 \text{ MHz}$	C_k		0.3		pF

Current Transfer Ratio (CTR)

Parameter	Test Conditions	Type	Symbol	Min.	Typ.	Max.	Unit
I_C/I_F	$V_{CE} = 5 \text{ V}, I_F = 5 \text{ mA}$	K817P	CTR	0.5		6.0	
	$V_{CE} = 5 \text{ V}, I_F = 5 \text{ mA}$	K827PH	CTR	0.5		6.0	
	$V_{CE} = 5 \text{ V}, I_F = 5 \text{ mA}$	K847PH	CTR	0.5		6.0	
	$V_{CE} = 5 \text{ V}, I_F = 10 \text{ mA}$	K817P1	CTR	0.4		0.8	
	$V_{CE} = 5 \text{ V}, I_F = 10 \text{ mA}$	K817P2	CTR	0.63		1.25	
	$V_{CE} = 5 \text{ V}, I_F = 10 \text{ mA}$	K817P3	CTR	1.0		2.0	
	$V_{CE} = 5 \text{ V}, I_F = 10 \text{ mA}$	K817P4	CTR	1.6		3.2	
	$V_{CE} = 5 \text{ V}, I_F = 5 \text{ mA}$	K817P5	CTR	0.5		1.5	
	$V_{CE} = 5 \text{ V}, I_F = 5 \text{ mA}$	K817P6	CTR	1.0		3.0	
	$V_{CE} = 5 \text{ V}, I_F = 5 \text{ mA}$	K817P7	CTR	0.8		1.6	
	$V_{CE} = 5 \text{ V}, I_F = 5 \text{ mA}$	K817P8	CTR	1.3		2.6	
	$V_{CE} = 5 \text{ V}, I_F = 5 \text{ mA}$	K817P9	CTR	2.0		4.0	

Switching Characteristics

Parameter	Test Conditions	Symbol	Typ.	Unit
Delay time	$V_S = 5\text{ V}$, $I_C = 2\text{ mA}$, $R_L = 100\ \Omega$ (see figure 1)	t_d	3.0	μs
Rise time		t_r	3.0	μs
Fall time		t_f	4.7	μs
Storage time		t_s	0.3	μs
Turn-on time	$V_S = 5\text{ V}$, $I_F = 10\text{ mA}$, $R_L = 1\text{ k}\Omega$ (see figure 2)	t_{on}	6.0	μs
Turn-off time		t_{off}	5.0	μs
Turn-on time	$V_S = 5\text{ V}$, $I_F = 10\text{ mA}$, $R_L = 1\text{ k}\Omega$ (see figure 2)	t_{on}	9.0	μs
Turn-off time		t_{off}	18.0	μs

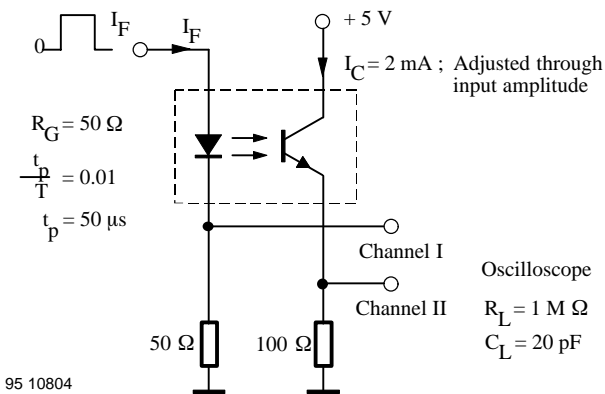


Figure 1. Test circuit, non-saturated operation

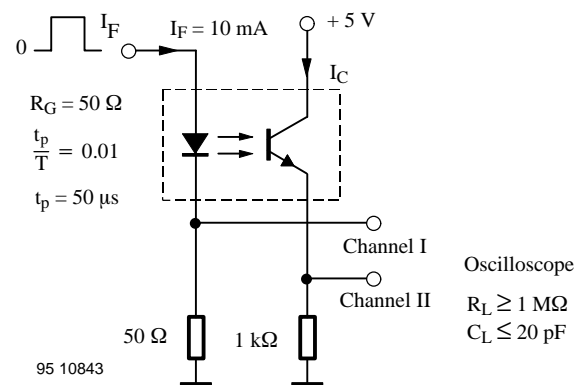


Figure 2. Test circuit, saturated operation

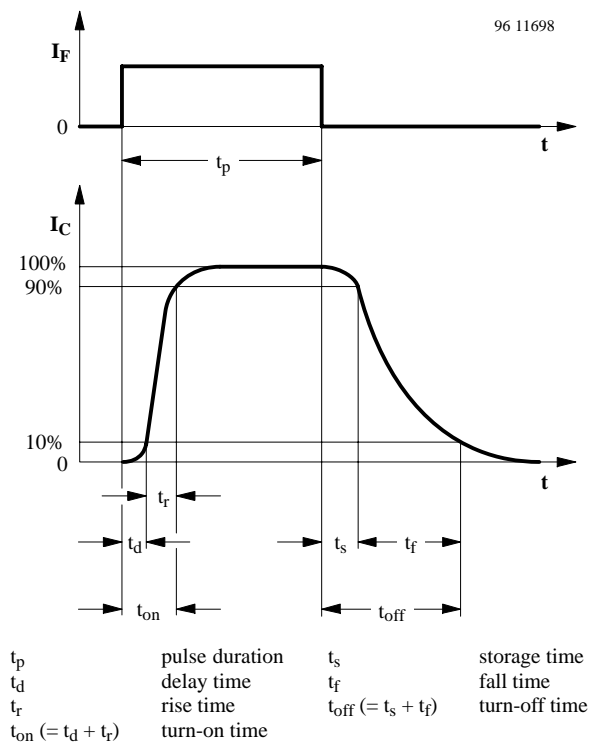


Figure 3. Switching times



Typical Characteristics ($T_{amb} = 25^{\circ}\text{C}$, unless otherwise specified)

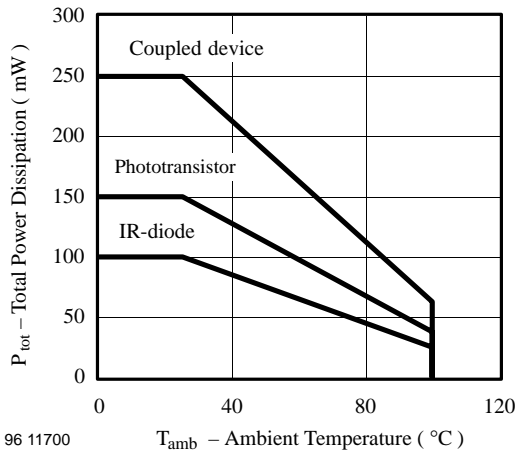


Figure 4. Total Power Dissipation vs. Ambient Temperature

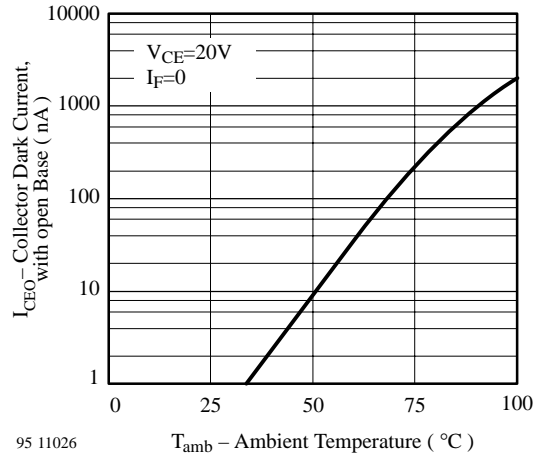


Figure 7. Collector Dark Current vs. Ambient Temperature

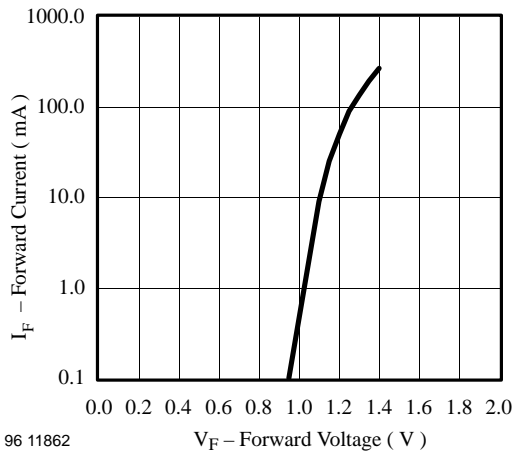


Figure 5. Forward Current vs. Forward Voltage

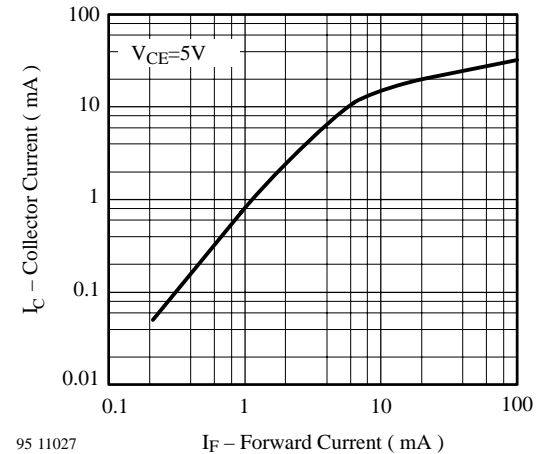


Figure 8. Collector Current vs. Forward Current

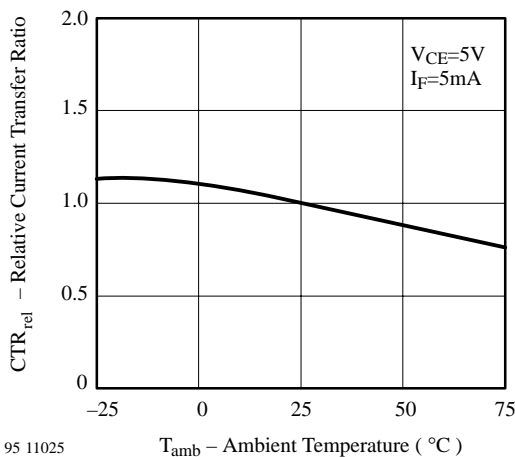


Figure 6. Relative Current Transfer Ratio vs. Ambient Temperature

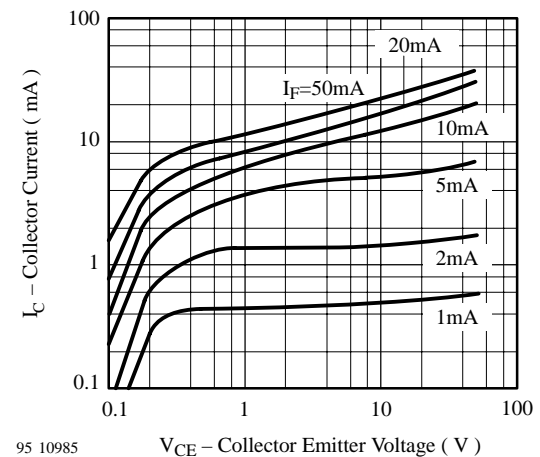
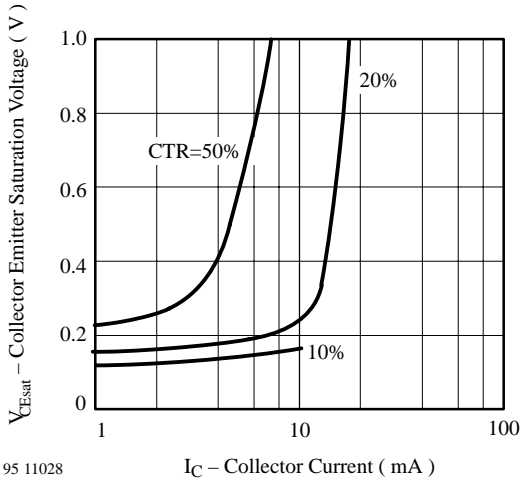
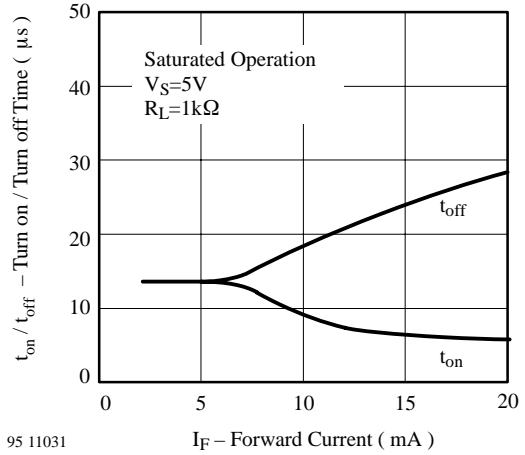


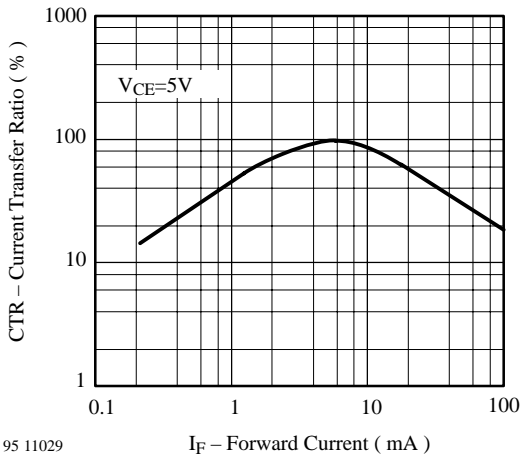
Figure 9. Collector Current vs. Collector Emitter Voltage



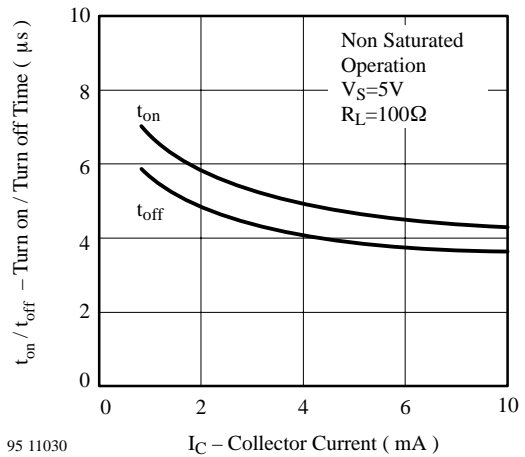
95 11028 I_C – Collector Current (mA)
 Figure 10. Collector Emitter Saturation Voltage vs. Collector Current



95 11031 I_F – Forward Current (mA)
 Figure 12. Turn on / off Time vs. Forward Current



95 11029 I_F – Forward Current (mA)
 Figure 11. Current Transfer Ratio vs. Forward Current



95 11030 I_C – Collector Current (mA)
 Figure 13. Turn on / off Time vs. Collector Current

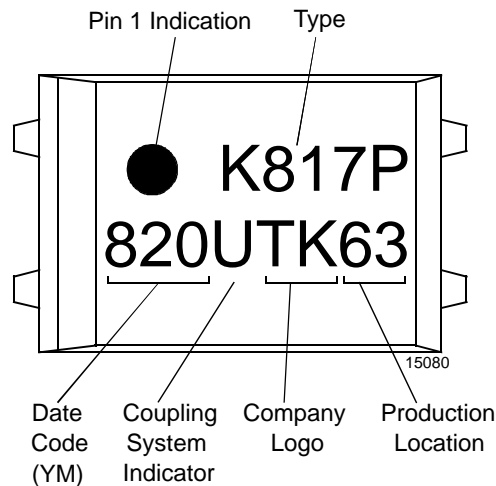
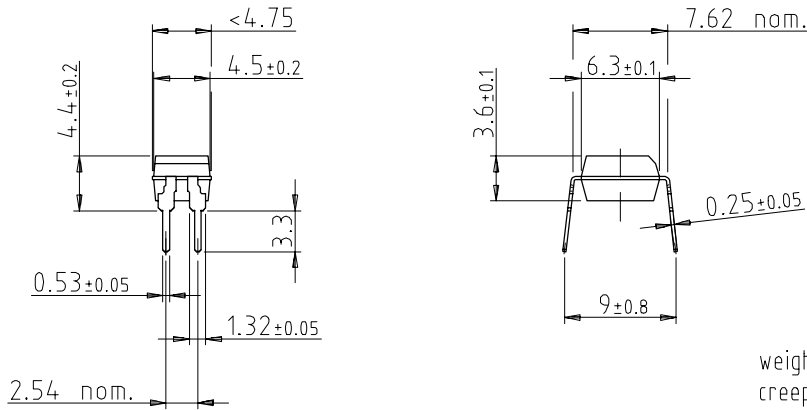


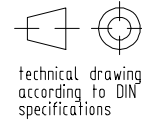
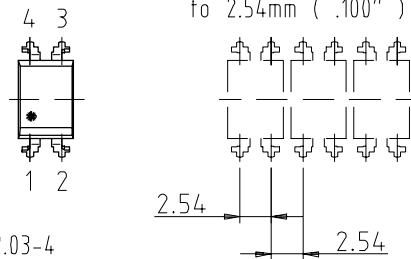
Figure 14. Marking example

Dimensions of K817P.in mm



weight : ca 0.25g
 creepage distance : > 6mm
 air path : > 6mm
 after mounting on PC board

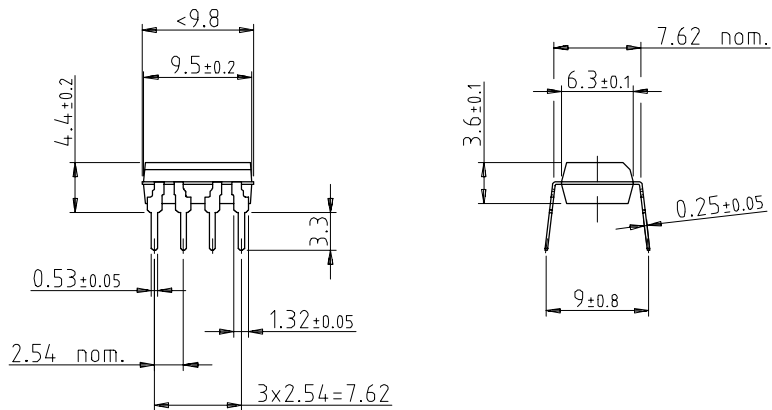
E.g.:
 special Features: endstackable
 to 2.54mm (.100") spacing



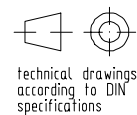
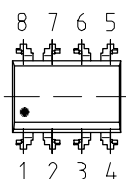
Drawing-No.: 6.544-5302.03-4
 Issue: 4; 02.06.99

14789

Dimensions of K827PHin mm



weight : ca 0.55g
 creepage distance : > 6mm
 air path : > 6mm
 after mounting on PC board



Drawing-No.: 6.544-5302.02-4
 Issue: 4; 02.06.99

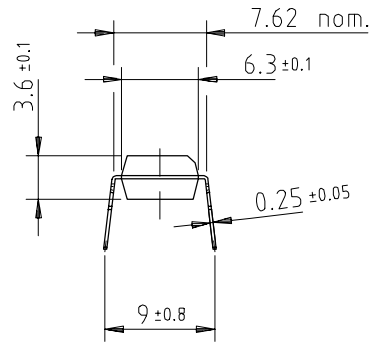
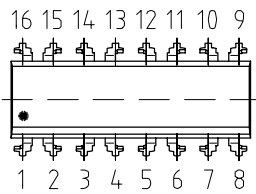
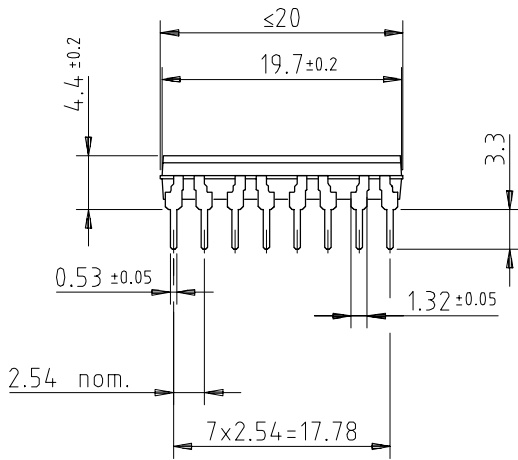
14784

K817P/ K827PH/ K847PH



Vishay Telefunken

Dimensions of K847PH in mm

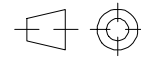


weight: ca. 1.0 g

creepage distance: ≥ 6 mm

air path: ≥ 6 mm

after mounting on PC board



technical drawings
according to DIN
specifications

14783



Ozone Depleting Substances Policy Statement

It is the policy of **Vishay Semiconductor GmbH** to

1. Meet all present and future national and international statutory requirements.
2. Regularly and continuously improve the performance of our products, processes, distribution and operating systems with respect to their impact on the health and safety of our employees and the public, as well as their impact on the environment.

It is particular concern to control or eliminate releases of those substances into the atmosphere which are known as ozone depleting substances (ODSs).

The Montreal Protocol (1987) and its London Amendments (1990) intend to severely restrict the use of ODSs and forbid their use within the next ten years. Various national and international initiatives are pressing for an earlier ban on these substances.

Vishay Semiconductor GmbH has been able to use its policy of continuous improvements to eliminate the use of ODSs listed in the following documents.

1. Annex A, B and list of transitional substances of the Montreal Protocol and the London Amendments respectively
2. Class I and II ozone depleting substances in the Clean Air Act Amendments of 1990 by the Environmental Protection Agency (EPA) in the USA
3. Council Decision 88/540/EEC and 91/690/EEC Annex A, B and C (transitional substances) respectively.

Vishay Semiconductor GmbH can certify that our semiconductors are not manufactured with ozone depleting substances and do not contain such substances.

We reserve the right to make changes to improve technical design and may do so without further notice.

Parameters can vary in different applications. All operating parameters must be validated for each customer application by the customer. Should the buyer use Vishay Telefunken products for any unintended or unauthorized application, the buyer shall indemnify Vishay Telefunken against all claims, costs, damages, and expenses, arising out of, directly or indirectly, any claim of personal damage, injury or death associated with such unintended or unauthorized use.

Vishay Semiconductor GmbH, P.O.B. 3535, D-74025 Heilbronn, Germany
Telephone: 49 (0)7131 67 2831, Fax number: 49 (0)7131 67 2423