



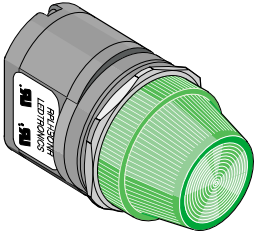
PilotLED® RPLH Panel Mount Lamp Assemblies

Selection Guide

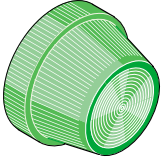


Part numbers are for complete assemblies – lens, lamp and lampholder

PilotLED Assembly Part Number
RPLH30-01*-01-05

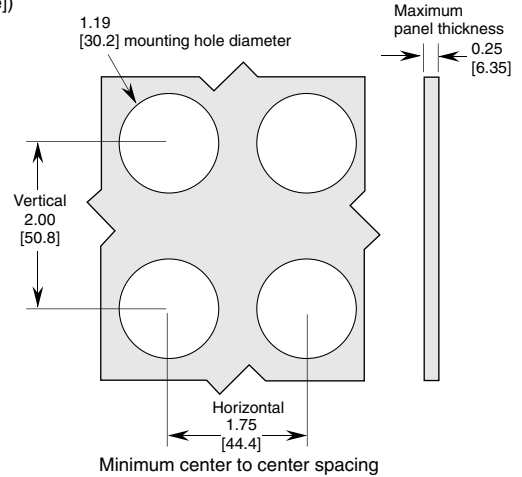
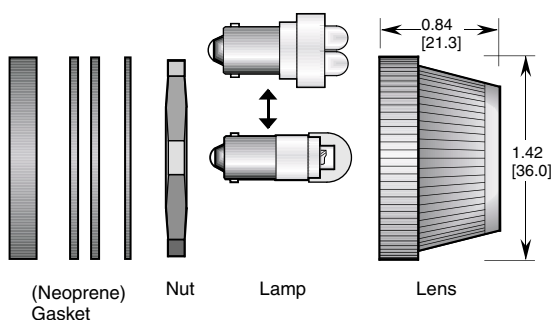
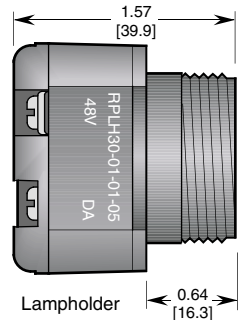


| 30mm PilotLED | Assembly Part Number | Color | Volts* | Lens | Lamp |
|--|----------------------|--------|----------|------------|---------------|
|  | RPLH30-01-01-05 | RED | 48VDC** | RPLL30-CRF | RPLB-0501-28V |
| | RPLH30-01-02-05 | AMBER | 48VDC** | RPLL30-CAF | RPLB-0503-28V |
| | RPLH30-01-03-05 | YELLOW | 48VDC** | RPLL30-CYF | RPLB-0504-28V |
| | RPLH30-01-04-05 | GREEN | 48VDC** | RPLL30CGF | RPLB-0506-28V |
| | RPLH30-01-05-05 | BLUE | 48VDC** | RPLL30-CBF | RPLB-0508-28V |
| | RPLH30-01-06-05 | WHITE | 48VDC** | RPLL30-TWF | RPLB-0509-28V |
| | RPLH30-01-07-05 | CLEAR | 48VDC** | RPLL30-CWF | RPLB-0510-28V |
| | RPLH30-02-01-05 | RED | 130VDC** | RPLL30-CRF | RPLB-0501-28V |
| | RPLH30-02-02-05 | AMBER | 130VDC** | RPLL30-CAF | RPLB-0503-28V |
| | RPLH30-02-03-05 | YELLOW | 130VDC** | RPLL30-CYF | RPLB-0504-28V |
| | RPLH30-02-04-05 | GREEN | 130VDC** | RPLL30-CGF | RPLB-0506-28V |
| | RPLH30-02-05-05 | BLUE | 130VDC** | RPLL30-CBF | RPLB-0508-28V |
| | RPLH30-02-06-05 | WHITE | 130VDC** | RPLL30-TWF | RPLB-0509-28V |
| | RPLH30-02-07-05 | CLEAR | 130VDC** | RPLL30-CWF | RPLB-0510-28V |

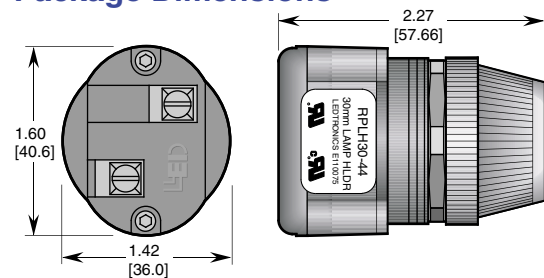
Series RPLH30
UL File No. E110075

|  | Replacement Lenses | |  | Replacement Lamps | |  | Optional Replacement Lamps | |
|---|--------------------|--------|---|-------------------|--------|--|----------------------------|--------|
| | Part Number | Color | | Part Number | Color | | Part Number | Color |
| | RPLL30-CRF | RED | | RPLB-0501-28V | RED | | RPLB-0601-28V | RED |
| | RPLL30-CAF | AMBER | | RPLB-0503-28V | AMBER | | RPLB-0603-28V | AMBER |
| | RPLL30-CYF | YELLOW | | RPLB-0504-28V | YELLOW | | RPLB-0604-28V | YELLOW |
| | RPLL30-CGF | GREEN | | RPLB-0506-28V | GREEN | | RPLB-0606-28V | GREEN |
| | RPLL30-CBF | BLUE | | RPLB-0508-28V | BLUE | | RPLB-0608-28V | BLUE |
| | RPLL30-TWF | WHITE | | RPLB-0509-28V | WHITE | | RPLB-0609-28V | WHITE |
| | RPLL30-CWF | CLEAR | | RPLB-0510-28V | CLEAR | | RPLB-0610-28V | CLEAR |

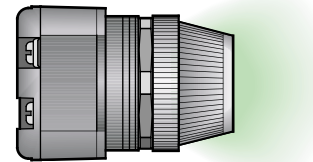
* Volts = full voltage. Customer defines incoming voltage, lamp in holder is made to that voltage.
This holder contains no current limiting resistor (Example RPLH30-24-01-05 [24 volt incoming source])
** 48 & 130VDC use an internal series resistor to drop the voltage across the LED bulb to 28 volts.



Package Dimensions



Illumination Pattern



Dimensions are approximate

Log # 013D Rev 6-99