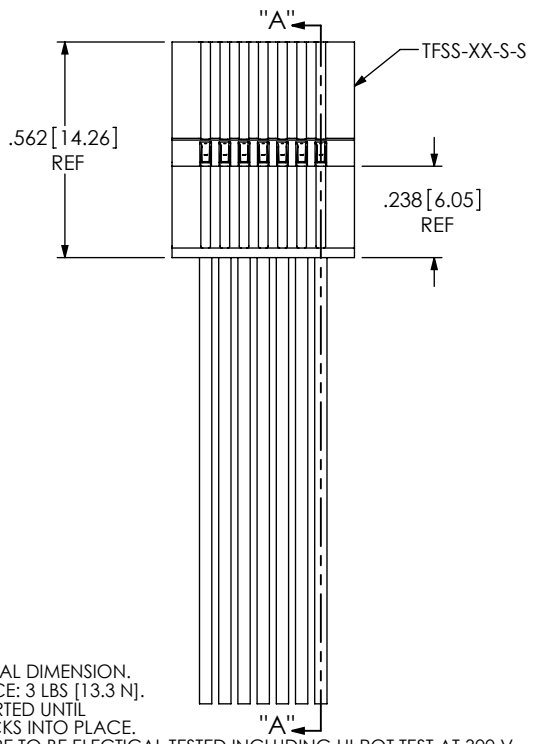


FIG. 1
-S: SINGLE END
(TFSSX-07-28-XX-XX.XX-S SHOWN)



TFSSX-XX-XXX-XX-XX.XX-X-XXX

FEP CABLE OPTION
-T: FEP
(LEAVE BLANK FOR STANDARD PVC INSULATION)

No OF POSITIONS
-02 THRU -30

WIRE GAUGE (AWG)
-28
-30

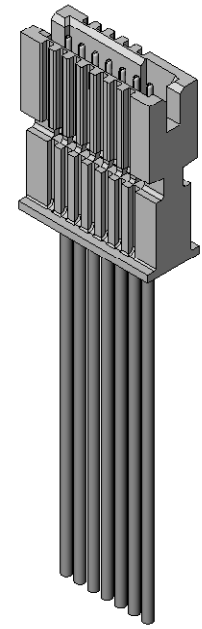
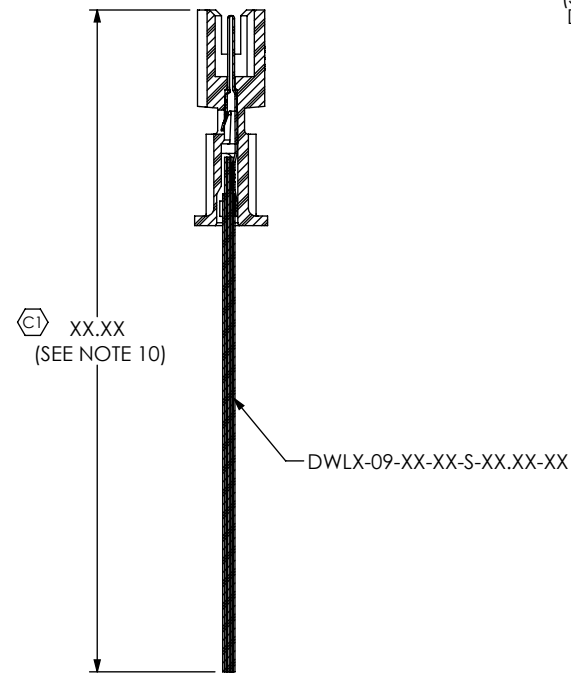
COLOR CODE
LEAVE BLANK FOR ALL BLACK WIRE,
C: COLOR CODED WIRE, SEE COLOR SEQUENCE TABLE, SHEET 2 (SEE NOTE 11)

PLATING SPECIFICATION
-H: HEAVY GOLD (USE DWLX-09-XX-X-XX.XX-H)
-G: LIGHT GOLD (USE DWLX-09-XX-X-XX.XX-G)
-GF: FLASH GOLD (USE DWLX-09-XX-X-XX.XX-GF)

-NXX OPTION (END 2)
(ONLY AVAILABLE WITH -D, -T, OR -TR)
-NUS: NOTCH UP, STRAIGHT (PIN 1 TO PIN 1)
-NDS: NOTCH DOWN, STRAIGHT (PIN 1 TO PIN 7)

END OPTION
-S: SINGLE END (USE DWLX-09-XX-S-XX.XX-XX)
* -D: DOUBLE END (USE DWLX-09-XX-D-XX.XX-XX)
(MUST CHOOSE FROM -NXX OPTIONS)
* -T: TRANSFER END (SEE SHEET 2 AND 4)
(USE DWLX-09-XX-T-XX.XX-XX)
(MUST CHOOSE FROM -NXX OPTIONS)
-TR: TRANSFER END W/ RETENTION LATCH
(SEE SHEET 2 AND 4) (USE DWLX-09-XX-T-XX.XX-XX)
(MUST CHOOSE FROM -NXX OPTIONS)

ASSEMBLED LENGTH
SPECIFY IN INCHES [USE DWLX-09-XX-X-XX.XX-XX]
(SINGLE END: 03.00 INCH [76.2mm] MINIMUM,
DOUBLE END: 03.25 INCH [82.6mm] MINIMUM)
*MUST CHOOSE FROM -NXX OPTIONS



- NOTES:
1. (C) REPRESENTS A CRITICAL DIMENSION.
 2. MINIMUM PULLOUT FORCE: 3 LBS [13.3 N].
 3. CONTACT MUST BE INSERTED UNTIL RETENTION FEATURE LOCKS INTO PLACE.
 4. ALL FINISHED GOODS ARE TO BE ELECTRICAL TESTED INCLUDING HI-POT TEST AT 300 V. AFTER FINAL ELECTRICAL TEST, LABEL EACH ASSEMBLY WITH 1 LABEL-ET.
 5. TINNED COPPER WIRE IS RoHS COMPLIANT.
 6. PARTS TO BE LAYER PACKAGED.
 7. END OF DISCRETE WIRE MUST BE IN THE RANGE AFTER CRIMP.
 8. FOR CRIMP DIMENSIONS SEE DWL-09-XXX-X-XX.XX-XX FOR PVC APPLICATIONS OR DWLT-09-XX-X-XX.XX-XX FOR FEP APPLICATIONS.
 9. END OF DISCRETE WIRE MUST BE IN RANGE AFTER CRIMP.
 10. FOR LENGTHS LESS THAN 12 IN, TOLERANCES SHALL BE ±.125[3.18]. FOR OTHER LENGTHS, TOLERANCES SHALL BE ±2%.
 11. DOES NOT APPLY TO FEP CABLE.

TABLE 1

SERIES	WIRE GAUGE	DWLX-09-XX-XX-XX.XX-X
TFSS	28 AWG	DWL-09-28-XX-XX.XX-X
TFSS	30 AWG	DWL-09-30-XX-XX.XX-X
TFSS	28 AWG	DWLT-09-28-XX-XX.XX-X
TFSS	30 AWG	DWLT-09-30-XX-XX.XX-X

UNLESS OTHERWISE SPECIFIED, DIMENSIONS ARE IN INCHES.
TOLERANCES ARE:
DECIMALS ANGLES
.XX: ±.01 [.3] 2°
.XXX: ±.005 [.13]
.XXXX: ±.0020 [.051]

PROPRIETARY NOTE
THIS DOCUMENT CONTAINS INFORMATION CONFIDENTIAL AND PROPRIETARY TO SAMTEC, INC. AND SHALL NOT BE REPRODUCED OR TRANSFERRED TO OTHER DOCUMENTS OR DISCLOSED TO OTHERS OR USED FOR ANY PURPOSE OTHER THAN THAT WHICH IT WAS OBTAINED WITHOUT THE EXPRESSED WRITTEN CONSENT OF SAMTEC, INC.

DO NOT SCALE DRAWING SHEET SCALE: 2:1

MATERIAL:
INSULATOR: LCP, COLOR: BLACK
CONTACT: BeCu
CABLE INSULATION: PVC
WIRE: TINNED COPPER

F:\DWG\MISC\MKTG\TFSSX-XX-XXX-XX-XX-X-XXX-MKT.SLDDRW

520 PARK EAST BLVD, NEW ALBANY, IN 47150
PHONE: 812-944-6733 FAX: 812-948-5047
e-Mail: info@SAMTEC.com code: 55322

DESCRIPTION:
.050[1.27] SOCKET DISCRETE CABLE ASSEMBLY

DWG. NO.
TFSSX-XX-XXX-XX-XX.XX-X-XXX

BY: GAYNOR 6/13/2008 SHEET 1 OF 4

FIG. 2
 *-D: DOUBLE END
 (TFSSX-07-28-X-XX.XX-D-NUS SHOWN)
 (SAME AS FIG. 1, UNLESS OTHERWISE STATED)

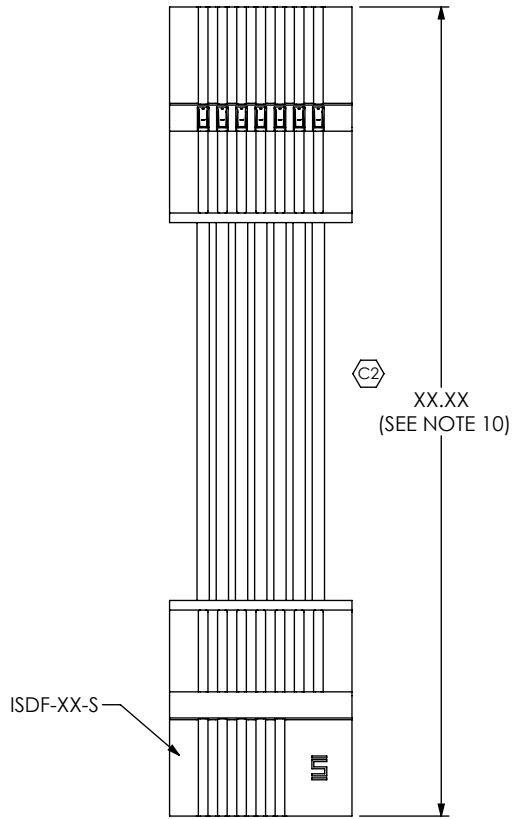


FIG. 3
 *-T: TRANSFER END
 (TFSSX-07-28-X-XX.XX-T-NUS SHOWN)
 (SAME AS FIG. 1, UNLESS OTHERWISE STATED)

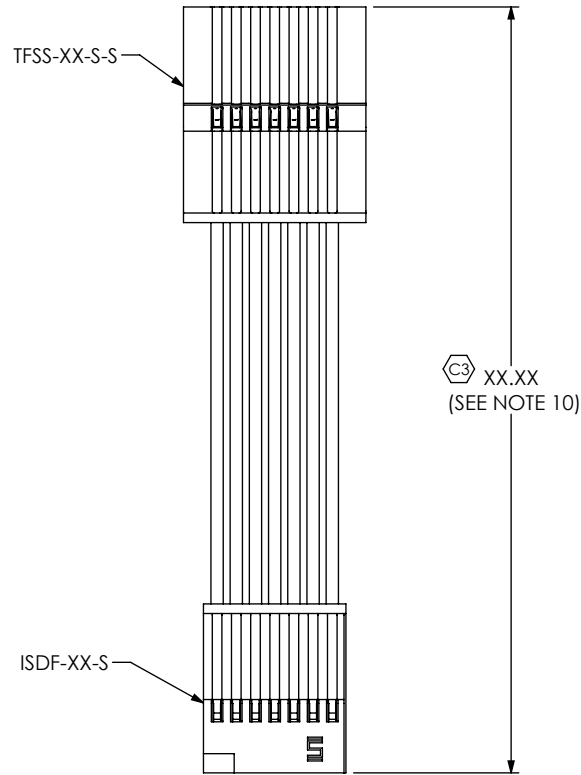
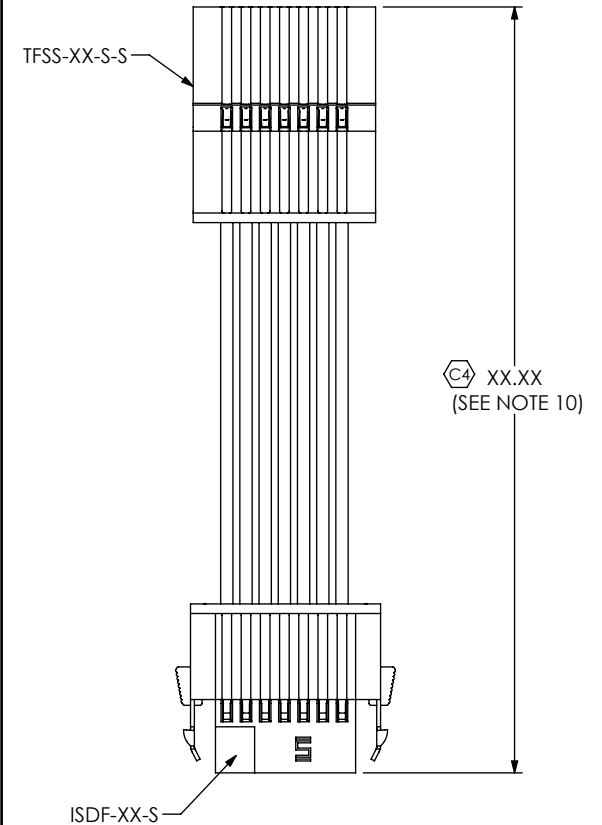


FIG. 4
 *-T: TRANSFER END
 (TFSSX-07-28-X-XX.XX-TR-NUS SHOWN)
 (SAME AS FIG. 1, UNLESS OTHERWISE STATED)
 (ONLY AVAILABLE IN -05 THRU -03 POS)



TFSS color coded wire sequence (SEE NOTE 11)

pin #	COLOR									
	brown	red	orange	yellow	dk green	violet	gray	white	black	dk blue
	1	2	3	4	5	6	7	8	9	10
	11	12	13	14	15	16	17	18	19	20
	21	22	23	24	25	26	27	28	29	30

F:\DWG\MISC\MKTG\TFSSX-XX-XXX-XX-XX.XX-X-XXX-MKT.SLDDRW

PROPRIETARY NOTE
 THIS DOCUMENT CONTAINS INFORMATION
 CONFIDENTIAL AND PROPRIETARY TO
 SAMTEC, INC. AND SHALL NOT BE REPRODUCED
 OR TRANSFERRED TO OTHER DOCUMENTS OR
 DISCLOSED TO OTHERS OR USED FOR ANY
 PURPOSE OTHER THAN THAT WHICH IT WAS
 OBTAINED WITHOUT THE EXPRESSED WRITTEN
 CONSENT OF SAMTEC, INC.

DO NOT SCALE DRAWING

SHEET SCALE: 2:1

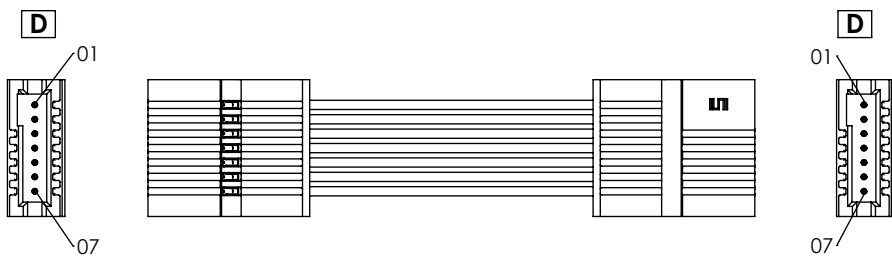


520 PARK EAST BLVD, NEW ALBANY, IN 47150
 PHONE: 812-944-6733 FAX: 812-948-5047
 e-Mail: info@SAMTEC.com code: 55322

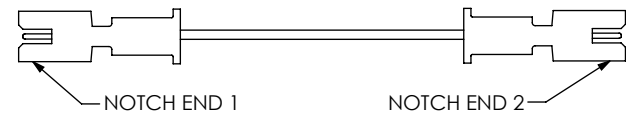
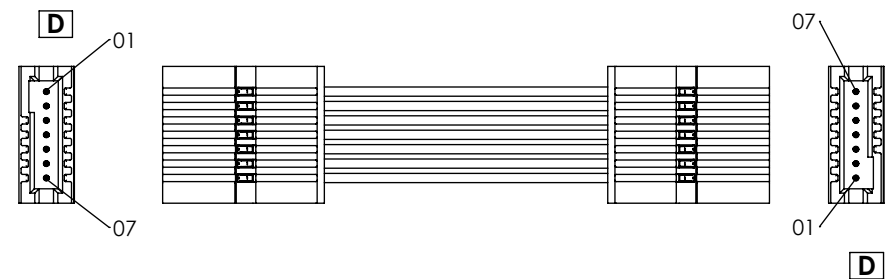
DESCRIPTION:
 .050[1.27] SOCKET DISCRETE CABLE ASSEMBLY

DWG. NO.
 TFSSX-XX-XXX-XX-XX.XX-X-XXX

BY: GAYNOR 6/13/2008 SHEET 2 OF 4



-NUS
(END 2 NOTCH UP, CABLE STRAIGHT)
(PIN 1 TO PIN 1)



-NDS
(END 2 NOTCH DOWN, CABLE STRAIGHT)
(PIN 1 TO PIN 7)

PROPRIETARY NOTE
THIS DOCUMENT CONTAINS INFORMATION
CONFIDENTIAL AND PROPRIETARY TO
SAMTEC, INC. AND SHALL NOT BE REPRODUCED
OR TRANSFERRED TO OTHER DOCUMENTS OR
DISCLOSED TO OTHERS OR USED FOR ANY
PURPOSE OTHER THAN THAT WHICH IT WAS
OBTAINED WITHOUT THE EXPRESSED WRITTEN
CONSENT OF SAMTEC, INC.

DO NOT SCALE DRAWING

SHEET SCALE: 1:75:1

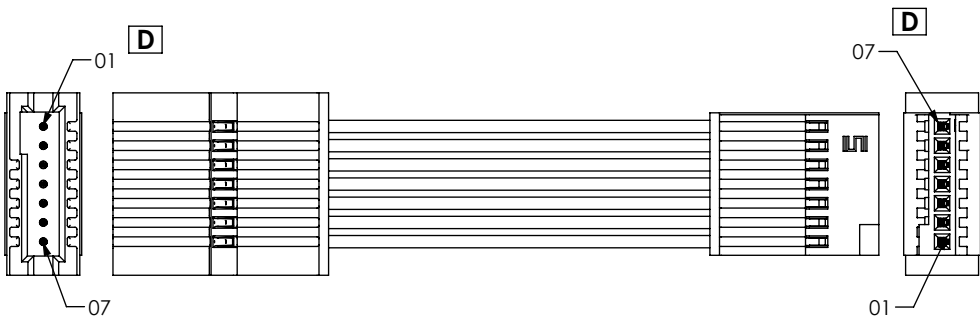
samtec

520 PARK EAST BLVD, NEW ALBANY, IN 47150
PHONE: 812-944-6733 FAX: 812-948-5047
e-Mail: info@SAMTEC.com code: 55322

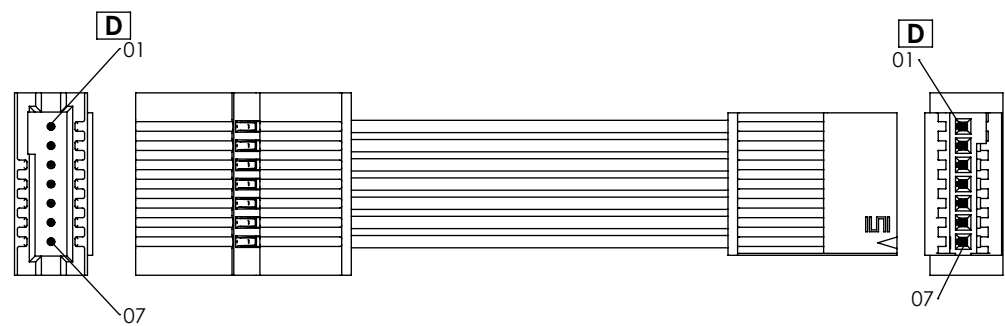
DESCRIPTION:
.050[1.27] SOCKET DISCRETE CABLE ASSEMBLY

DWG. NO.
TFSSX-XX-XXX-XX-XX.XX-X-XXX

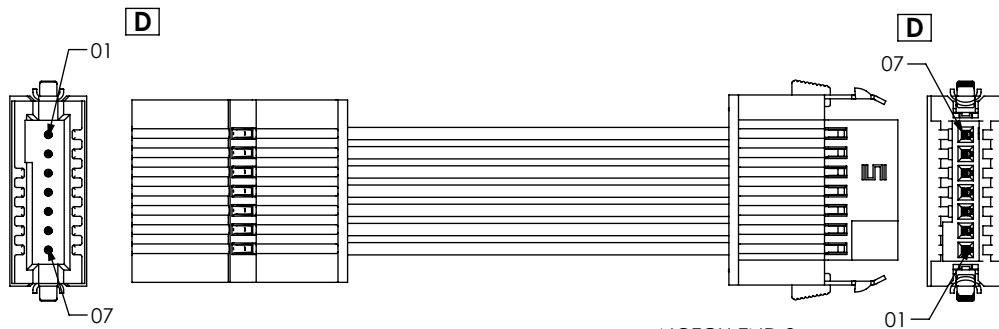
BY: GAYNOR 6/13/2008 SHEET 3 OF 4



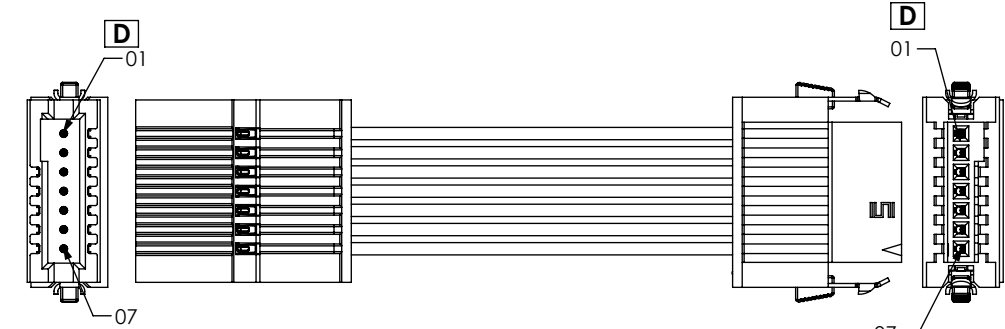
T-NUS
(END 2 NOTCH UP, CABLE STRAIGHT)
(PIN 1 TO PIN 7)



T-NDS
(END 2 NOTCH DOWN, CABLE STRAIGHT)
(PIN 1 TO PIN 1)



TR-NUS
(END 2 NOTCH UP, CABLE STRAIGHT)
(PIN 1 TO PIN 7)



TR-NDS
(END 2 NOTCH DOWN, CABLE STRAIGHT)
(PIN 1 TO PIN 1)

PROPRIETARY NOTE
THIS DOCUMENT CONTAINS INFORMATION
CONFIDENTIAL AND PROPRIETARY TO
SAMTEC, INC. AND SHALL NOT BE REPRODUCED
OR TRANSFERRED TO OTHER DOCUMENTS OR
DISCLOSED TO OTHERS OR USED FOR ANY
PURPOSE OTHER THAN THAT WHICH IT WAS
OBTAINED WITHOUT THE EXPRESSED WRITTEN
CONSENT OF SAMTEC, INC.

DO NOT SCALE DRAWING

SHEET SCALE: 2:1

samtec

520 PARK EAST BLVD, NEW ALBANY, IN 47150
PHONE: 812-944-6733 FAX: 812-948-5047
e-Mail: info@SAMTEC.com code: 55322

DESCRIPTION:
.050[1.27] SOCKET DISCRETE CABLE ASSEMBLY

DWG. NO.
TFSSX-XX-XXX-XX-XX.XX-X-XXX

BY: GAYNOR 6/13/2008 SHEET 4 OF 4