

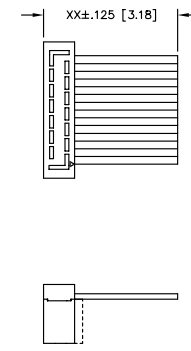
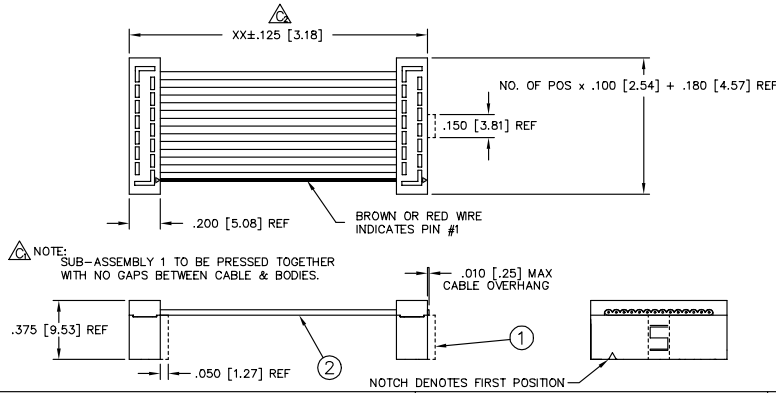
REV L

-D (DOUBLE END)

-S (SINGLE END)
SAME AS -D UNLESS OTHERWISE SHOWN

DIMENSIONS ARE IN INCHES UNLESS OTHERWISE NOTED TOLERANCES ARE:
 ONE PLACE DECIMALS ± .1 THREE PLACE DECIMALS ± .005 ANGLES ± 1°
 TWO PLACE DECIMALS ± .01 FOUR PLACE DECIMALS ± .0020

TITLE: .100 C.L. MOLD TO POS. DOUBLE ROW, FEMALE ASSEMBLY
 DWG NO: HCSD-XX-X-XX-01-XXX-XXX
 SHEET 1 OF 1



HCSD-XX-X-XX-01-XXX-XXX

NO. OF POSITIONS
 02, 03, 04, 05, 07, 08, 09, 10, 13, 14, 15, 17, 20, 25, 30, 32, 36
 (STANDARD COLOR-CODED CABLE N/A FOR 32 AND 36 POSITIONS. SEE -G OPTION.)

END ASSEMBLY
 -S: SINGLE END
 -D: DOUBLE END

ASSEMBLED LENGTH (2 INCH MINIMUM)

LEAD STYLE

OPTION # 1 (SEE OPTIONS BELOW)
 OPTION # 2 (SEE OPTIONS BELOW)

NOTES:
 1. HIDDEN LINES ARE USED TO SHOW POLARIZATION WHEN USING -N OPTION
 2. Δ REPRESENTS CRITICAL DIMENSIONS FOR STATISTICAL PROCESS CONTROL.

TABLE 1	
1	2
HCSD-XX-01-X	CB-XX-28-7/36-050-C

SPECIFY NO. OF POS. IN PART CALLOUT -XX

PLATING

-T = .000150 BRIGHT ACID TIN ON ENTIRE CONTACT. (USE HCSD-XX-01-TX)
 (STANDARD PLATING IS .000150 BRIGHT ACID TIN, EXCEPT CONTACT AREA IS .000010 Au. - USE HCSD-XX-01-SX)

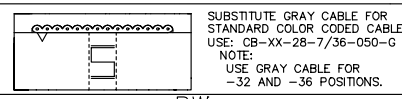
-N NOTCH POLARIZATION

.050 [1.27] REF

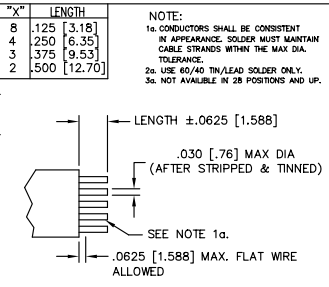
.150 [3.81] REF

IF OPTION IS SPECIFIED, SUB-ASM. 1 WILL BE HCSD-XX-01-N.

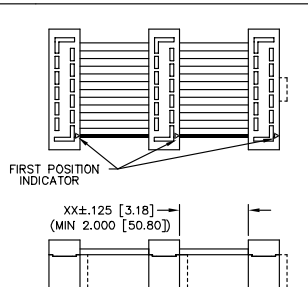
-G GRAY CABLE



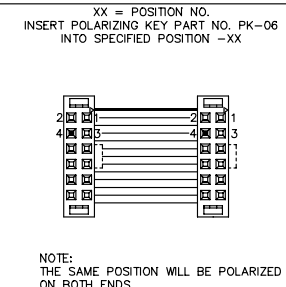
-ST"X" STRIPPED & TINNED



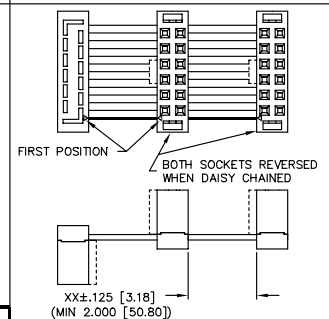
-D"XX" DAISY CHAIN-DOUBLE



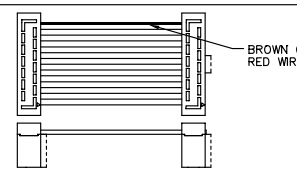
-P"XX" POLARIZED MATING



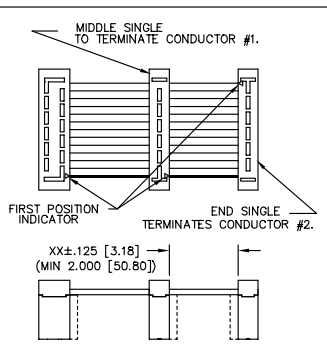
-R REVERSED CONNECTOR



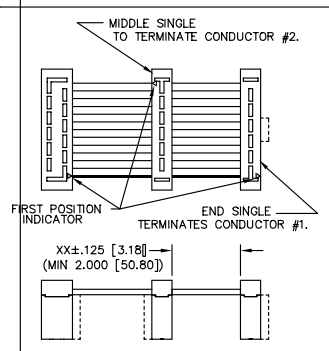
-RW REVERSE WIRING



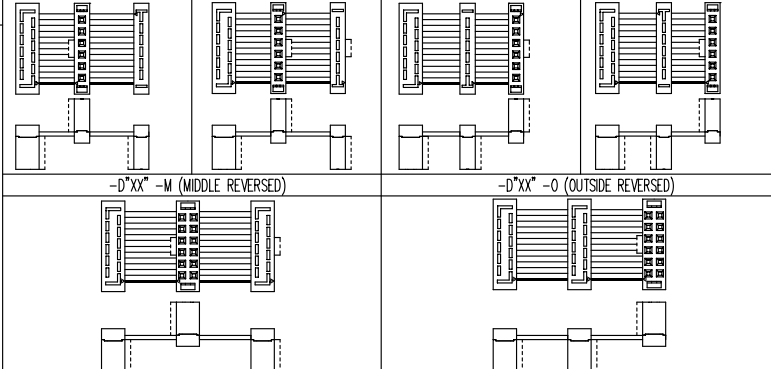
-W"XX" WIRING REVERSED



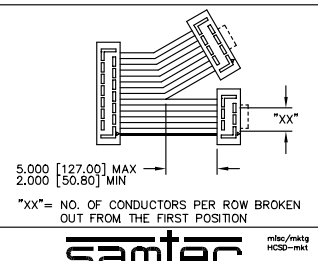
-S"XX" DAISY CHAIN-SINGLE



-W"XX"-M (MIDDLE REVERSED) -S"XX"-M (MIDDLE REVERSED) -W"XX"-O (OUTSIDE REVERSED) -S"XX"-O (OUTSIDE REVERSED)



-BXX BREAKOUT OPTION



Do not scale from this print

PROPRIETARY NOTE
 THIS DOCUMENT CONTAINS INFORMATION CONFIDENTIAL AND PROPRIETARY TO SAMTEC INC. AND SHALL NOT BE REPRODUCED OR TRANSMITTED IN ANY FORM OR BY ANY MEANS, ELECTRONIC OR MECHANICAL, INCLUDING PHOTOCOPYING, RECORDING, OR BY ANY INFORMATION STORAGE AND RETRIEVAL SYSTEM, WITHOUT THE WRITTEN CONSENT OF SAMTEC INC.