

JC20 SERIES CONNECTORS

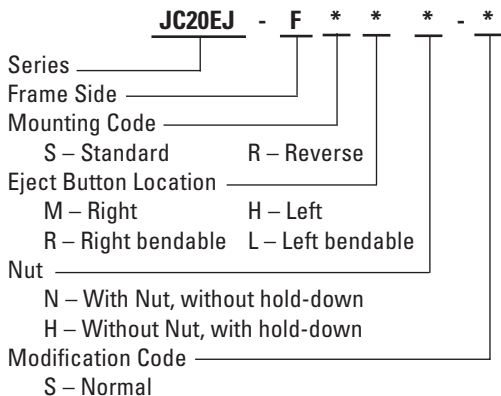
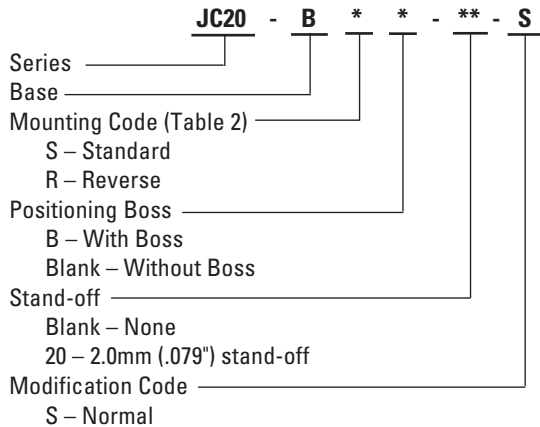
Two-Piece Connectors for IC Memory Cards

JC20 SERIES EJ TYPE CONNECTORS

FEATURES

- Compliant with PC Card Standard (Type, I, II)
- Light weight: 13g
- Compact and space saving design
Height: 5.6mm (.220")
Width: 65.2mm (2.57"), excluding hold-down
Depth: 92.3 mm (.264")—distance from mating face to edge of frame is 6.7mm (.264")
- Separate structure of base connector and frame
- Weight of base connector reduced by simplified connector shape. Compatible with automatic mounting using semi-hard tray packaging.
- Metal cover prevents reverse card insertion and withstands twisting force
- Ground lug compatible with upper/lower screw fixing. Hold-down settings also possible.
- Ejectors are located at both sides of the card for improved card removal. Cut-off length is 7mm (.275").

ORDERING INFORMATION



• • • • •

JC20 Series EJ type connectors are designed for small mobile devices, such as notebook PCs, PDAs, and HPCs, where compact size constraints are needed.

GENERAL SPECIFICATIONS

| | |
|---------------------------------|---|
| Number of Contacts | 68 |
| Contact Spacing | 0.635mm (.025") |
| Current Rating | 0.5 Amps |
| Dielectric Withstanding Voltage | 500 VAC r.m.s. (for one minute) |
| Insulation Resistance | 1000 megohms min. |
| Contact Resistance | 40 milliohms max. |
| Operating Temperature | -40°C to +80°C |
| Contact Life Durability | 10000 times (indoor), 5000 times (outdoor) |

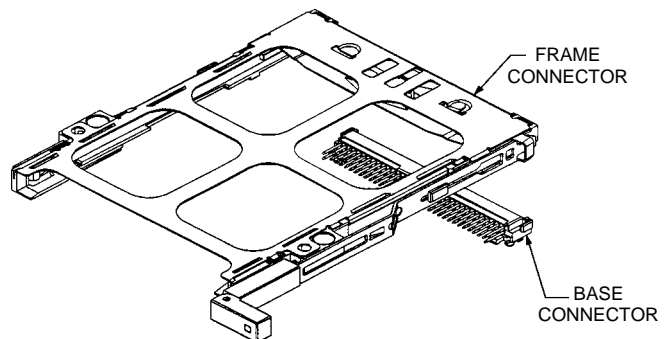
MATERIALS AND FINISHES

Base

| | |
|-------------|--------------------------------|
| Description | Materials/Finishes |
| Insulator | PPS |
| Contact | Brass/Gold plating over Nickel |
| Hold Down | Brass/Tin plating |

Frame

| | |
|--------------|--|
| Description | Materials/Finishes |
| Frame | PBT |
| Cover | Stainless |
| Lever | Stainless |
| Plate | Stainless |
| Ejector Bar | Stainless |
| Button, Lock | PBT |
| Spring | Stainless |
| Hexagon Nut | Brass/Nickel plating |
| Ground Lug | Phosphor Bronze/partially Gold plating |



Dimensions in mm (inches).

