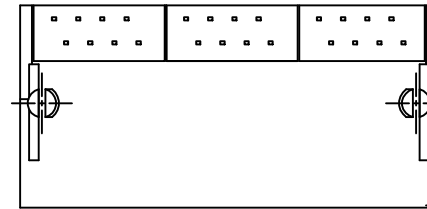
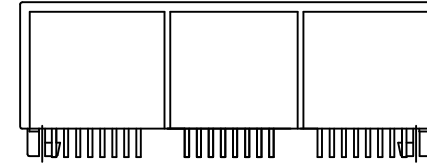
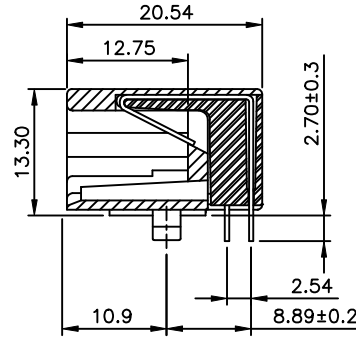
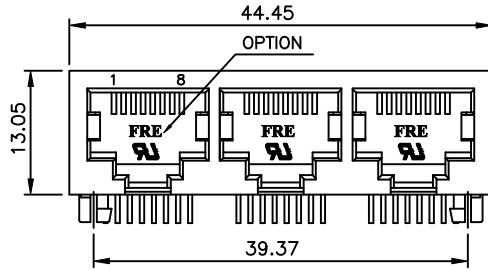


REVISION RECORD				
REV	ECO	DESCRIPTION	DRFT	CHKD



NOTES:

ELECTRICAL:

1. VOLTAGE RATING : 125 VAC RMS MIN.
2. CURRENT RATING : 1.5 AMP MIN.
3. CONTACT RESISTANCE : 45 MILLIOHMS MAX.
4. INSULATION RESISTANCE: 1000 MEGOHMS MIN @ 500 VDC.
5. DIELECTRIC STRENGTH : 1000 VAC RMS 60Hz, 1MIN.

MECHANICAL:

1. HOUSING MATERIAL : GLASS FILLED POLYESTER UL94V-0.
2. CONTACT MATERIAL : PHOSPHOR BRONZE ϕ 0.46mm.
3. PLATING : GOLD PLATING OVER NICKEL.
4. OPERATING LIFE : 750 CYCLES MIN.
5. PCB RETENTION PRE-SOLDER : 1 LB MIN.
6. PCB RETENTION POST-SOLDER: 10 LBS MIN.

ENVIRONMENTAL:

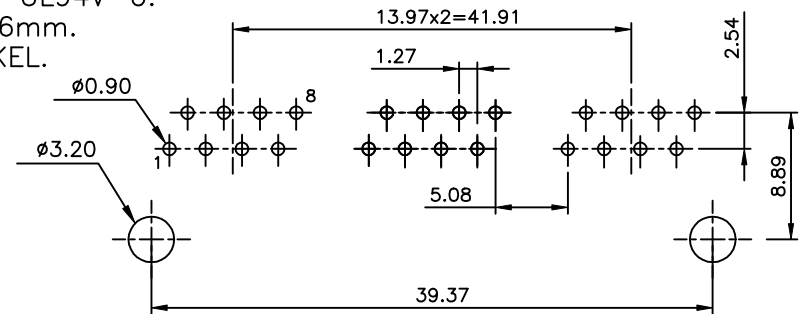
1. STORAGE : -40°C TO +85°C.
2. OPERATION: 0°C TO 70°C.

MATES WITH MODULAR PLUG CONFORMING TO FCC PART 68, SUBPART F.

CUL FILE NO. E163191

PART NUMBER: E5908-00B04X

1- 3u" 2- 6u" 3-15u"
4-30u" 5-50u" 6-Pd20u"



PC Board Layout Component Side Shown

DETACHED LISTS	MM (INCH)	DFTD BASS	DATE 10/30/97	FULL RISE ELECTRONIC CO., LTD	
	TOLERANCES EXCEPT AS NOTED	CHKD QWPU	DATE 2004/11/18		
	MM	MFO	DATE	TITLE 20.57 PCB JACK 8P(DEEP TYPE)	
	.0 ±0.20	APPV LUSHING	DATE 2004/11/18		
.00 ±0.15	MATERIAL :	QT'Y :	DRAWING NO. GE593231	SIZE A3	REV 0
.000 ±0.075	ANGLES ±	FINISH :	/PART NO. SEE NOTE	SHEET X	OF Y
THIRD ANGLE PROJECTION	SCALE : 1.5:1	DO NOT SCALE DRAWING			