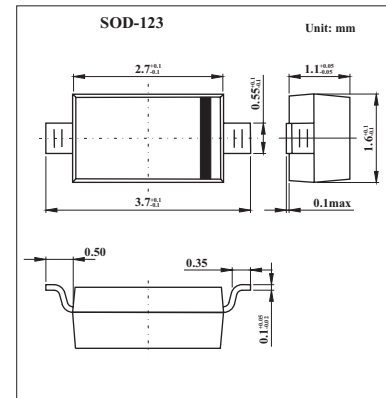


## Variable Capacitance Diode for VCO

## HVD372B

## ■ Features

- High capacitance ratio. (n = 2.00 min).
- Good linearity of C-V curve.
- Super small Flat Lead Package (SFP) is suitable for surface mount design.



## ■ Absolute Maximum Ratings Ta = 25 °C

Parameter	Symbol	Value	Unit
Reverse Voltage	V <sub>R</sub>	15	V
Junction temperature	T <sub>j</sub>	125	°C
Storage temperature	T <sub>stg</sub>	-55 to +125	°C

## ■ Electrical Characteristics Ta = 25 °C

Parameter	Symbol	Conditions	Min	Typ	Max	Unit
Reverse current	I <sub>R1</sub>	V <sub>R</sub> = 15 V			10	nA
	I <sub>R2</sub>	V <sub>R</sub> = 15 V, Ta = 60 °C			100	
Capacitance	C <sub>1</sub>	V <sub>R</sub> = 1 V, f = 1 MHz	15		17	pF
	C <sub>4</sub>	V <sub>R</sub> = 4 V, f = 1 MHz	7		8.5	
Capacitance ratio	n	C <sub>1</sub> / C <sub>4</sub>	2			
Series resistance	r <sub>s</sub>	V <sub>R</sub> = 4 V, f = 470 MHz			0.4	Ω

## ■ Marking

Marking	F
---------	---