

TITLE LM259X Inductor 68 μ Hy .30 ADC	SCHOTT CORPORATION 1000 PARKERS LAKE ROAD WAYZATA, MN 55391	AGENCY APPROVAL: N/A	PART NUMBER 34532
			REV A PAGE 1

Old Schott P/N: 67143940

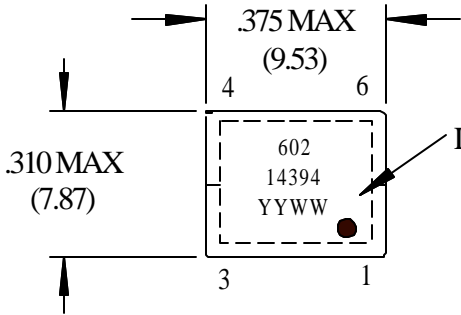
ELECTRICAL CHARACTERISTICS

Specifications at room temperature (ref. 25°C)

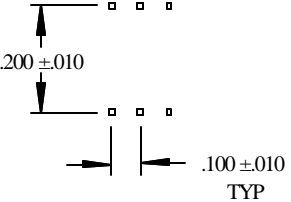
1. INDUCTANCE: @ 10 kHz, 0.1 Vrms,
(1 thru 3 to 4 thru 6) = 68 - 98 μ H
2. DC RESISTANCE:
(1 thru 3 to 4 thru 6) = .075 Ohms Max.
3. SRF: 2.0 MHZ Min.
4. HIPOT: 500 VDC
WINDING TO CORE
2 SEC., 5 mA MAX

GENERAL NOTES:

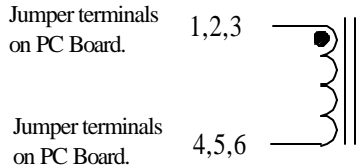
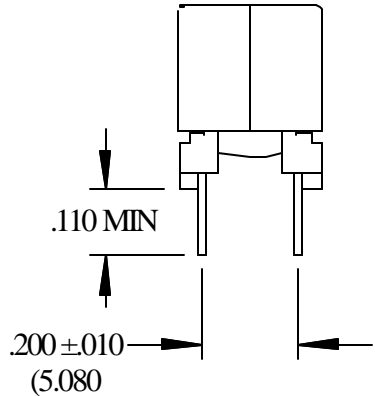
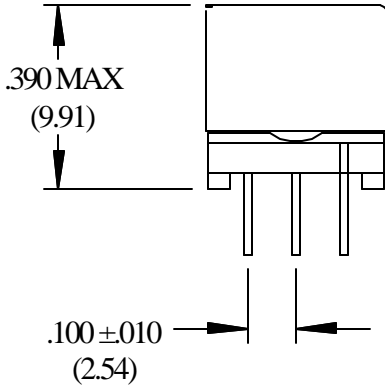
1. Current rating is the current at which the inductance is a minimum of 90% of the rated value.
2. All pins may not be used; electrical schematic is based on the standard footprint.



PWB LAYOUT



PINS: .017 Sq.
(0.43)



TOLERANCES UNLESS OTHERWISE NOTED	2 PLACE	3 PLACE	ANGLE
	+ .03	+ .010	+ °