

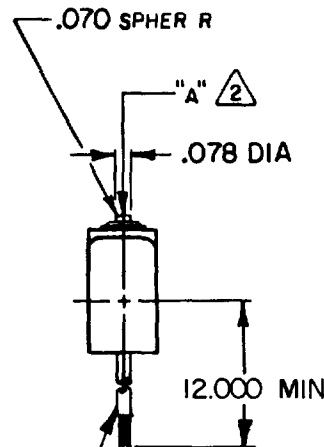
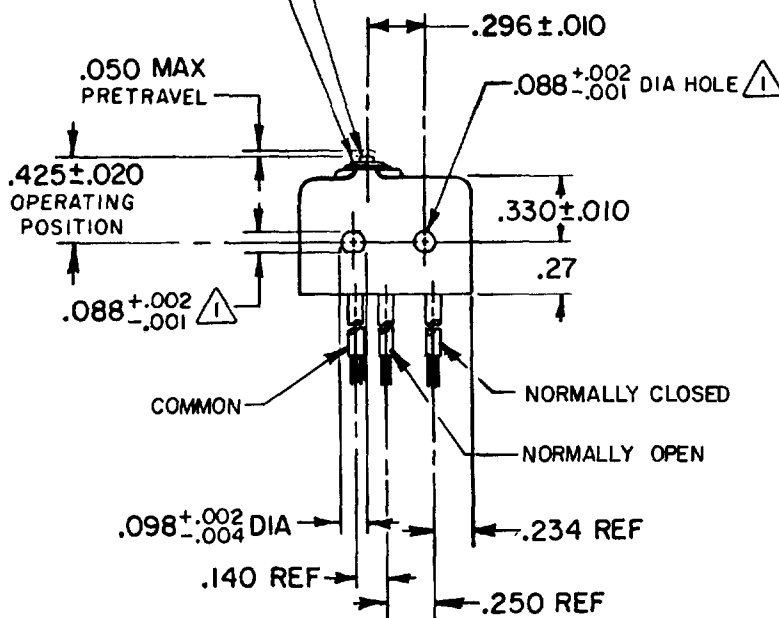
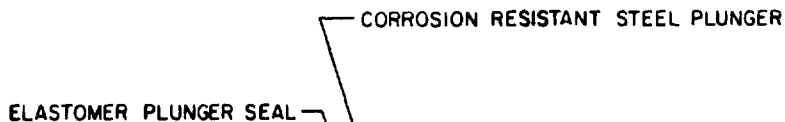
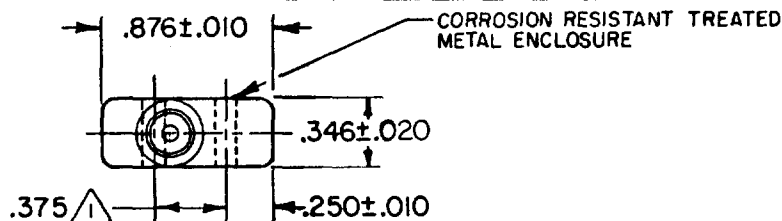
MICRO SWITCH

FREEPORT ILLINOIS, U.S.A
A DIVISION OF HONEYWELL
FED. MFG. CODE 91929

SWITCH - BASIC

CATALOG LISTING

ISEI



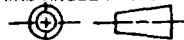
(3) NO. 20 WIRE LEAD
PER MIL-W-22759/11
EMBEDDED IN EPOXY
CASTING RESIN

NOTES

- ① MOUNTING HOLES WILL ACCEPT .087 MAX DIA PINS OR SCREWS ON .375±.002 CENTERS
- ② ACTUATION IN LINE WITH ARROW "A" IS RECOMMENDED
- ③ WEIGHT OF SWITCH ONLY IS .26 OZ MAX WEIGHT OF SWITCH WITH WIRE LEADS IS .65 OZ MAX

THIS DRAWING COVERS A PROPRIETARY ITEM AND IS THE PROPERTY OF MICRO SWITCH, A DIVISION OF HONEYWELL. THIS DRAWING IS NOT TO BE COPIED OR USED WITHOUT THE APPROVAL OF MICRO SWITCH.

THIRD ANGLE PROJECTION



CHARACTERISTICS

OPERATING FORCE ----- 5-17 OZ
RELEASE FORCE ----- 4 OZ MIN
RELEASE TRAVEL ----- .004 MIN
DIFFERENTIAL TRAVEL ----- .004 MAX
OVERTRAVEL ----- .003 MIN

ELECTRICAL DATA

CONTACT ARRANGEMENT
S P D T

250 VAC ----- 5 AMP
30 VOLTS DC RATING
INDUCTIVE ----- SEA LEVEL -- 3 AMP
50,000 FT -- 2.5 AMP
RESISTIVE ----- SEA LEVEL -- 5 AMP
50,000 FT -- 5 AMP
MAXIMUM INRUSH ----- 24 AMP

SCALE FULL

DO NOT SCALE PRINT

TOLERANCES

APPLY TO DESIGN UNITS. CONVERSIONS ARE ONLY FOR REFERENCE. UNLESS NOTED, TOLERANCES ARE ±

| | DIM. mm | TOL. mm/in | DIM. in | TOL. mm/in |
|--------------|------------|---------------|------------|---------------|
| NO PLACES | X | 1/64 | X | 0.005 |
| ONE PLACE | X.X | 0.4/016 | X.X | 0.007/016 |
| TWO PLACES | X.XX | 0.16/008 | X.XX | 0.13/008 |
| THREE PLACES | X.XXX | | X.XXX | |

DESIGN UNITS SI METRIC US CUSTOMARY

WEIGHT ③

ISEI
PAGE 1 OF 1

M

DRAWING
NUMBER

12

ISSUE

13

REVISIONS

| | |
|---|--------------------|
| A | CO 51463 |
| | G J W 14 JUL 82 |
| B | CO57041A |
| | C J H 21 MAR 85 |
| C | CO94274 |
| | D L M MAR 99 |

REPLACES

RELEASE NO. SR-3328

CHECK

CHECK

22 JUL 82

CHECK

14 JUL 82

FORMTEK

FO-52848-A

DRAWN

G J W