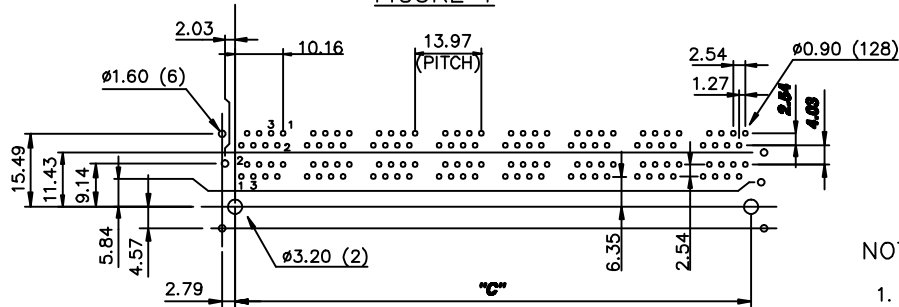
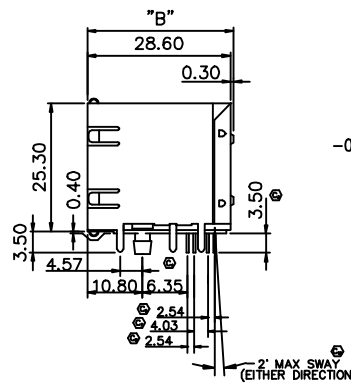


FIGURE 1



PCB LAYOUT

PORTS	TABLE 1					
	-02	-04	-06	-08	-12	-16
DIM "A"	17.25	31.25	45.25	59.25	87.25	115.25
DIM "B"	28.60	28.60	29.40	28.60	29.50	29.50
DIM "C"	11.43	25.40	39.37	53.34	81.28	109.22
DIM "D"	18.00	32.00	46.00	60.00	88.00	116.00



MODM-B-XX-8P8C-X-S4-X

TYPE -B E& I OPTION -R: RoHS COMPLIANT

PORTS -02, -04, -06, -08, -12, -16

POSITIONS/CONTACTS -8P8C: 8 Pos/8 Con

SHIELD -S4: SHIELD W/PANEL GROUNDS ON TOP, BOTTOM & SIDES

PLATING -L: .000015" Au -S: .000030" Au -U: .000050" Au (SEE NOTE 2)

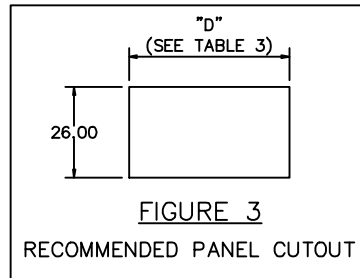


FIGURE 3 RECOMMENDED PANEL CUTOUT



PANEL GROUND MODE

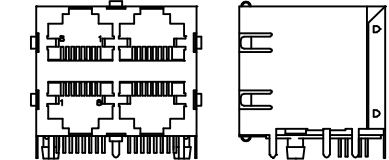


FIGURE 2 PCB LAYOUT FOR -04 SAME AS FIG. 1, EXCEPT AS SHOWN

NOTES:

- ① REPRESENTS A CRITICAL DIMENSION
- PLATING APPLIES TO MATING AREA. GOLD FLASH (<0.00003 DF Au) ON TAIL.

UNLESS OTHERWISE SPECIFIED, DIMENSIONS ARE IN MM. TOLERANCES ARE:
DECIMALS ANGLES
X.XX±0.25 ±3
X.XXX±0.13
X.XXXX±0.05

PROPRIETARY NOTE
THIS DOCUMENT CONTAINS INFORMATION CONFIDENTIAL AND PROPRIETARY TO SAMTEC INC. AND SHALL NOT BE REPRODUCED OR TRANSMITTED TO OTHER DOCUMENTS OR DISCLOSED TO OTHERS OR USED FOR ANY PURPOSE OTHER THAN THAT FOR WHICH IT WAS OBTAINED WITHOUT THE EXPRESSED WRITTEN CONSENT OF SAMTEC INC.



520 PARK EAST BLVD. NEW ALBANY, IN 47150
(812) 944-6733 P.O. BOX 1147 TWX: 810-540-4085

DO NOT SCALE DRAWING SHEET SCALE: 1:2
INSULATOR: PBT 20% Glass Filled (UL 94V-0) Black
CONTACT : Phosphor Bronze
SHELL : Copper Alloy
MAX FLASH ALLOWED: .051
MAX GATE VESTIGE: .051

DESCRIPTION:
RJ45 2x8 8 Position Double Deck Gang PCB Jack

DWG. NO. J MODM-B-XX-8P8C-X-S4-X

BY: J. RILEY 10/31/2003 SHEET 1 OF 1