

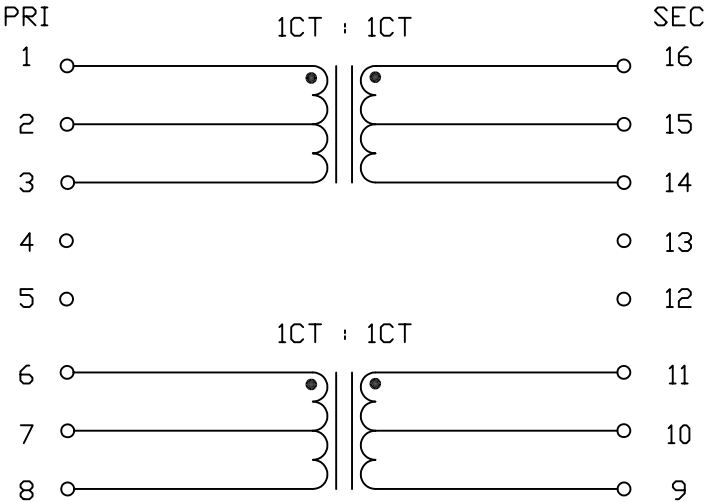
THE INFORMATION CONTAINED HEREIN IS CONSIDERED "PROPRIETARY" TO BEL FUSE INC. AND SHALL NOT BE COPIED, REPRODUCED OR DISCLOSED WITHOUT THE WRITTEN APPROVAL OF BEL FUSE INC.

PRELIMINARY



ELECTRICAL CHARACTERISTICS @ 25°C

SCHEMATIC



TURNS RATIO  
 (1-2-3) : (16-15-14)      1CT : 1CT  
 (6-7-8) : (11-10-9)      1CT : 1CT

PHASING      PER DOT CONVENTION

□CL  
 (1-3) = (6-8)      1.8mH MIN. @10kHz, 10mV  
 AT -40°C TO +85°C      850μH MIN.

LEAKAGE INDUCTANCE (Le)      0.5μH MAX. @1MHz, 20mV  
 (16-14) WITH (1-2-3) SHORT  
 (6-8) WITH (11-10-9) SHORT

INTERWINDING CAPCITANCE (C<sub>ww</sub>)      35pF MAX. @100kHz, 100mV  
 PRI TO SEC

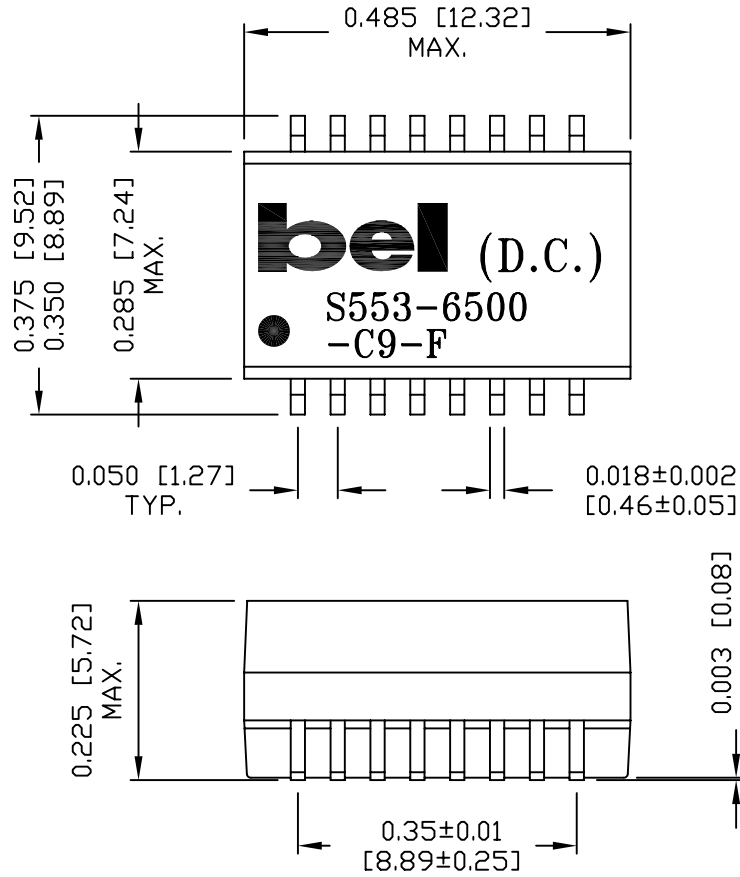
DCR      0.6Ω MAX.  
 (1-3) = (16-14)  
 (6-8) = (11-9)

HIPOT      PER HAND-WORK-03

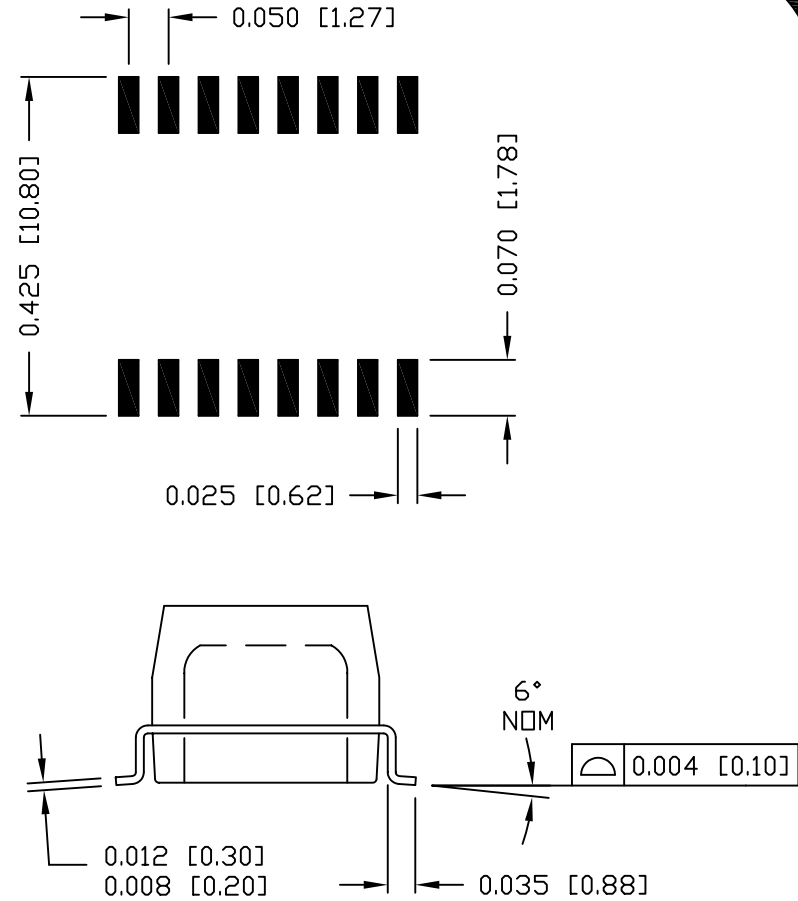
ORIGINATED BY	DATE	TITLE	PART NO. / DRAWING NO.	STANDARD DIM.	[ ] METRIC DIM. AS REFERENCE	 COMPONENTS ON A CONNECTED PLANET	
HQ	10-23-06	ELECTRICAL SPECIFICATION	X5536500C9-F	TOL. IN INCH	UNIT : INCH [mm]		REV. : PA
DRAWN BY	DATE		FILE NAME	.X	SCALE : N/A		SIZE : A4
DQ Chen	10-23-06	S553-6500-C9-F	X5536500C9FPA.DWG	.XX			PAGE : 2
				.XXX			

THE INFORMATION CONTAINED HEREIN IS CONSIDERED "PROPRIETARY" TO BEL FUSE INC. AND SHALL NOT BE COPIED, REPRODUCED OR DISCLOSED WITHOUT THE WRITTEN APPROVAL OF BEL FUSE INC.

PRELIMINARY



SUGGESTED PCB PAD LAYOUT



NOTES:

- STANDARD MARKING REFER TO DOC. HAND-WORK-04.
- PACKAGE CODE: "QBS001".

ORIGINATED BY Lawrence	DATE 10-23-06	TITLE MECHANICAL OUTLINE S553-6500-C9-F	PART NO. / DRAWING NO. X5536500C9-F		STANDARD DIM. TOL. IN INCH		[ ] METRIC DIM. AS REFERENCE	
			FILE NAME X5536500C9FPA.DWG		.X		UNIT : INCH [mm]	REV. : PA
DRAWN BY DQ Chen	DATE 10-23-06				.XX	±0.01	SCALE : N/A	SIZE : A4
					.XXX	±0.005		PAGE : 3

