

DO NOT SCALE FROM THIS PRINT

FJ-XX-X-XX-X

No OF POSITIONS  
-05, -10, -15, -20, -25, -30

N

STRIP LENGTH  
-2: .079 [2.00]  
\*-4: .157 [4.00]  
-6: .236 [6.00]

STYLE

-S: SINGLE ENDED  
-D: DOUBLE ENDED  
-R: REVERSE STIFFENER

LENGTH

-XX: "XX" INCHES ±.125 [3.18] INCH  
(-S STYLE 2.500 [63.50] MIN)  
(-D & -R STYLE 2.000 [50.80] MIN)

\* RECOMMENDED MATING WITH FC1

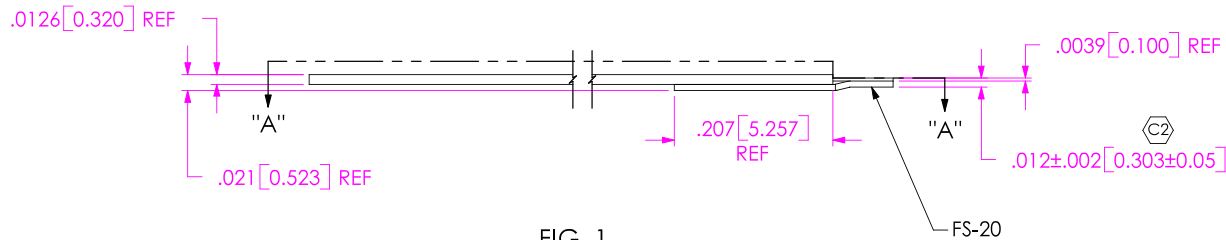
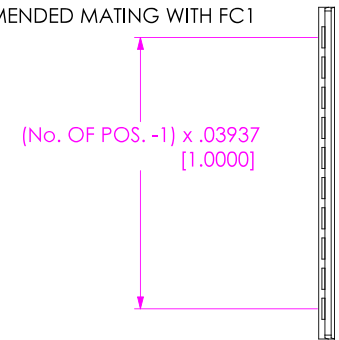
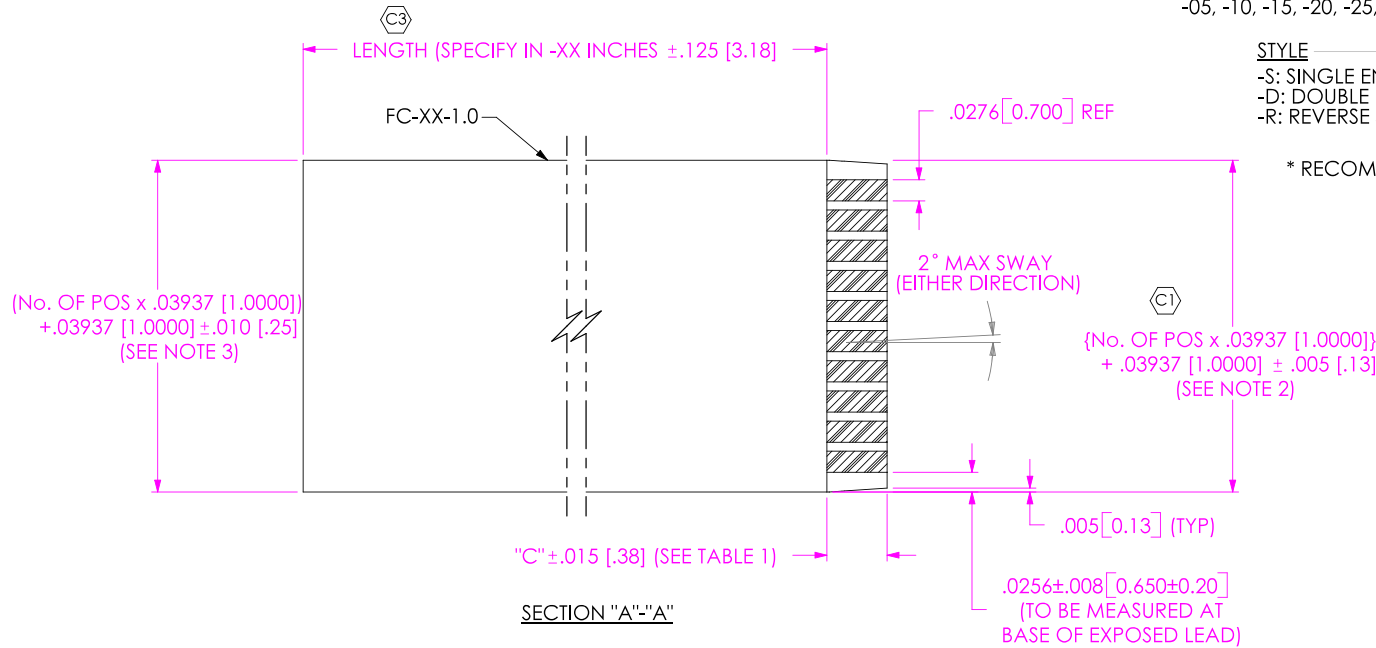


FIG. 1

HAND BUILT (SEE NOTE 6)  
-S: SINGLE ENDED  
(FJ-10-S-XX-2 SHOWN)

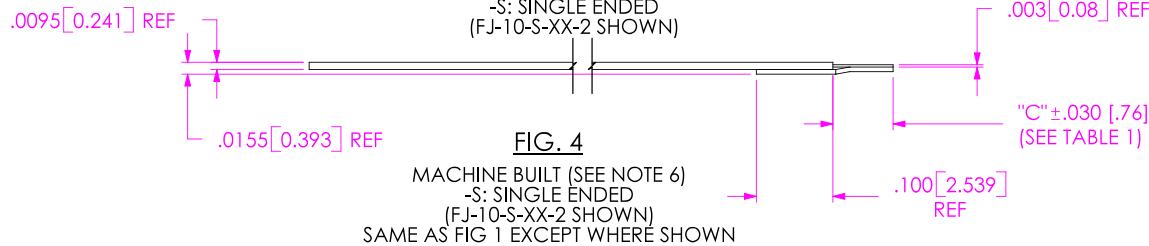


FIG. 4

MACHINE BUILT (SEE NOTE 6)  
-S: SINGLE ENDED  
(FJ-10-S-XX-2 SHOWN)  
SAME AS FIG 1 EXCEPT WHERE SHOWN

TABLE 1	
STRIP LENGTH	"C"
-2	.079 [2.00]
-4	.157 [4.00]
-6	.236 [6.00]

NOTES:

1. © REPRESENTS A CRITICAL DIMENSION.
2. MEASURE WHERE STIFFENER AND CABLE ARE ATTACHED.
3. MEASURED ALONG LENGTH OF CABLE, EXCEPT WHERE STIFFENER IS ATTACHED TO CABLE.
4. NOTE DELETED.
5. STIFFENER IS TRIMMED TO CORRECT WIDTH.
6. HAND BUILT PARTS USE A BLUE STIFFENER., MACHINE BUILT PARTS USE A BLACK STIFFENER.

UNLESS OTHERWISE SPECIFIED, DIMENSIONS ARE IN INCHES.  
TOLERANCES ARE:  
DECIMALS ANGLES  
.XX: ±.01 [.25] 2°  
.XXX: ±.005 [.13]  
.XXXX: ±.0020 [.050]

PROPRIETARY NOTE

THIS DOCUMENT CONTAINS INFORMATION CONFIDENTIAL AND PROPRIETARY TO SAMTEC, INC. AND SHALL NOT BE REPRODUCED OR TRANSFERRED TO OTHER DOCUMENTS OR DISCLOSED TO OTHERS OR USED FOR ANY PURPOSE OTHER THAN THAT WHICH IT WAS OBTAINED WITHOUT THE EXPRESSED WRITTEN CONSENT OF SAMTEC, INC.

MATERIAL: DO NOT SCALE DRAWING SHEET SCALE: 4:1  
CONDUCTORS: TIN PLATED COPPER  
INSULATION: POLYESTER  
STIFFENER: POLYESTER

F:\DWG\MISC\MKTG\FJ-MKT.SLDDRW

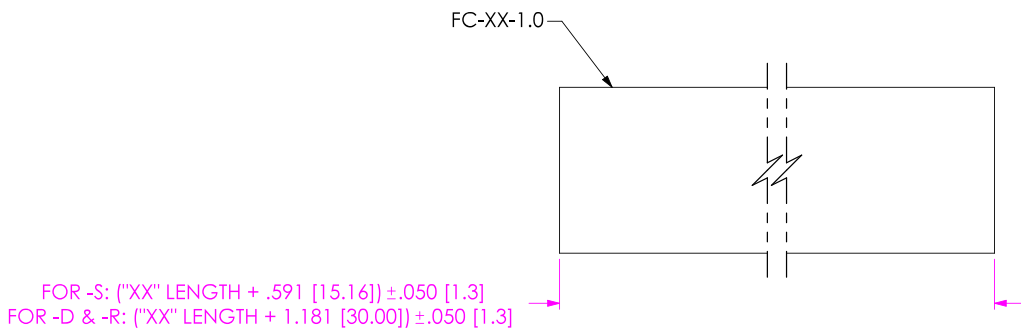
**SAMTEC**

520 PARK EAST BLVD, NEW ALBANY, IN 47150  
PHONE: 812.944.6733 FAX: 812.948.5047  
e-Mail: [INFO@SAMTEC.COM](mailto:INFO@SAMTEC.COM) CODE: 55322

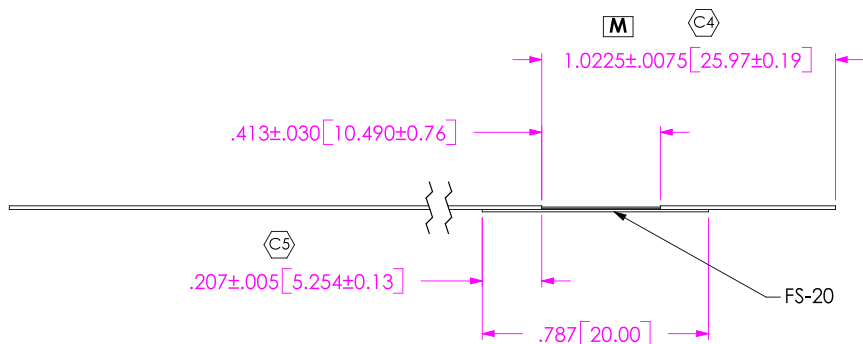
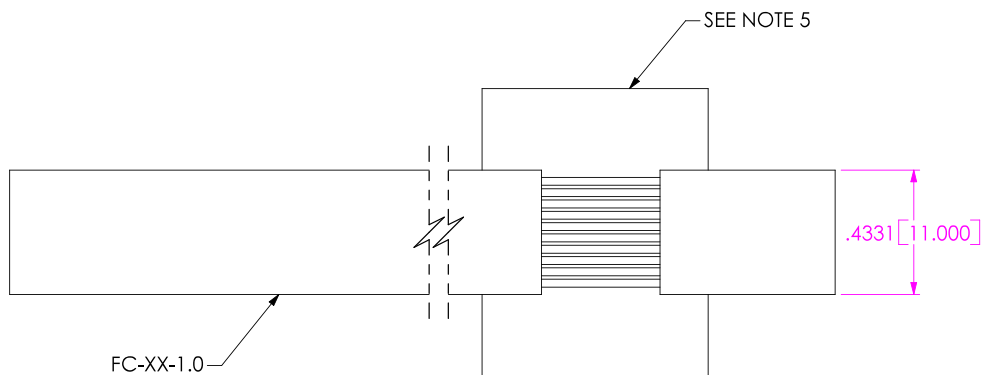
DESCRIPTION:  
.03937 [1.0000] FLEX CABLE JUMPER

DWG. NO. FJ-XX-X-XX-X

BY: KEVIN B 3/29/99 SHEET 1 OF 2



IN-PROCESS 1



IN-PROCESS 2  
 (TYP ON BOTH ENDS FOR -D & -R STYLES)

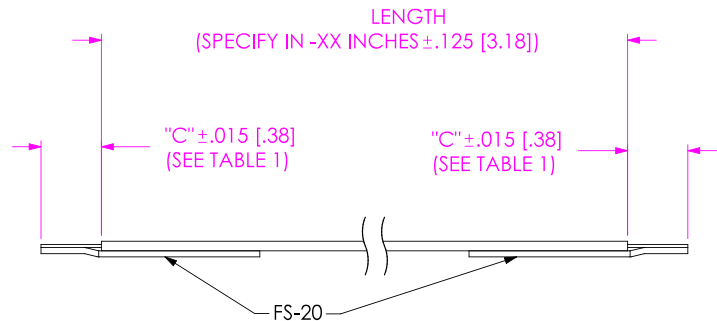


FIG. 2

-D: DOUBLE ENDED  
 (SAME AS FIG. 1, UNLESS STATED)

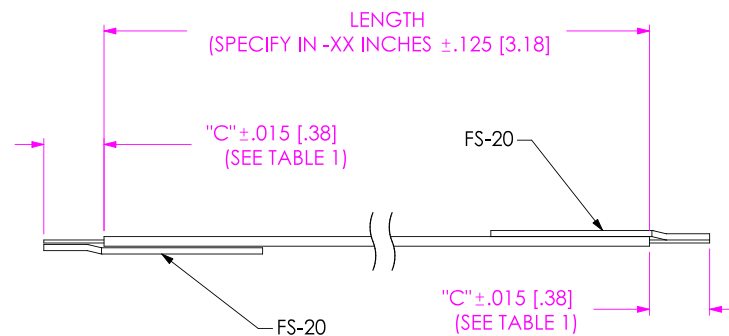


FIG. 3

-R: REVERSE STIFFENER  
 (SAME AS FIG. 1, UNLESS STATED)

PROPRIETARY NOTE

THIS DOCUMENT CONTAINS INFORMATION CONFIDENTIAL AND PROPRIETARY TO SAMTEC, INC. AND SHALL NOT BE REPRODUCED OR TRANSFERRED TO OTHER DOCUMENTS OR DISCLOSED TO OTHERS OR USED FOR ANY PURPOSE OTHER THAN THAT WHICH IT WAS OBTAINED WITHOUT THE EXPRESSED WRITTEN CONSENT OF SAMTEC, INC.

DO NOT SCALE DRAWING

SHEET SCALE: 3:1

DESCRIPTION: .03937 [1.0000] FLEX CABLE JUMPER

DWG. NO. FJ-XX-X-XX-X

BY: KEVIN B 3/29/99 SHEET 2 OF 2