

SPECIFICATIONS

Mechanical

Contact Retention Force: 0.66Lbs (0.30kgf) min. per Contact
Durability: 25 Cycles
Insertion Force: 15Lbs (6.8kgf) max. with three board lock
Unmating Force: 14gf min. per Contact pair

Electrical

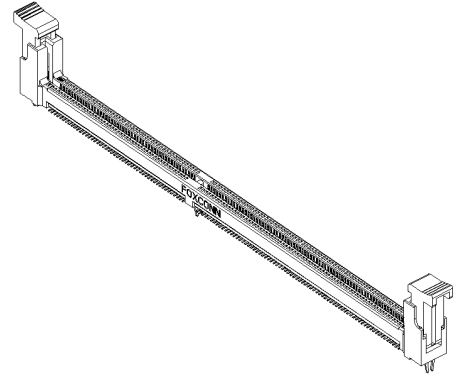
Current Rating: 0.75 AMPS max.
Insulation Resistance: 1000MΩ min. at 500V DC
Dielectric Withstanding Voltage: 500V DC at Sea Level
Low Level Contact Resistance: 10mΩ max. initial

Physical

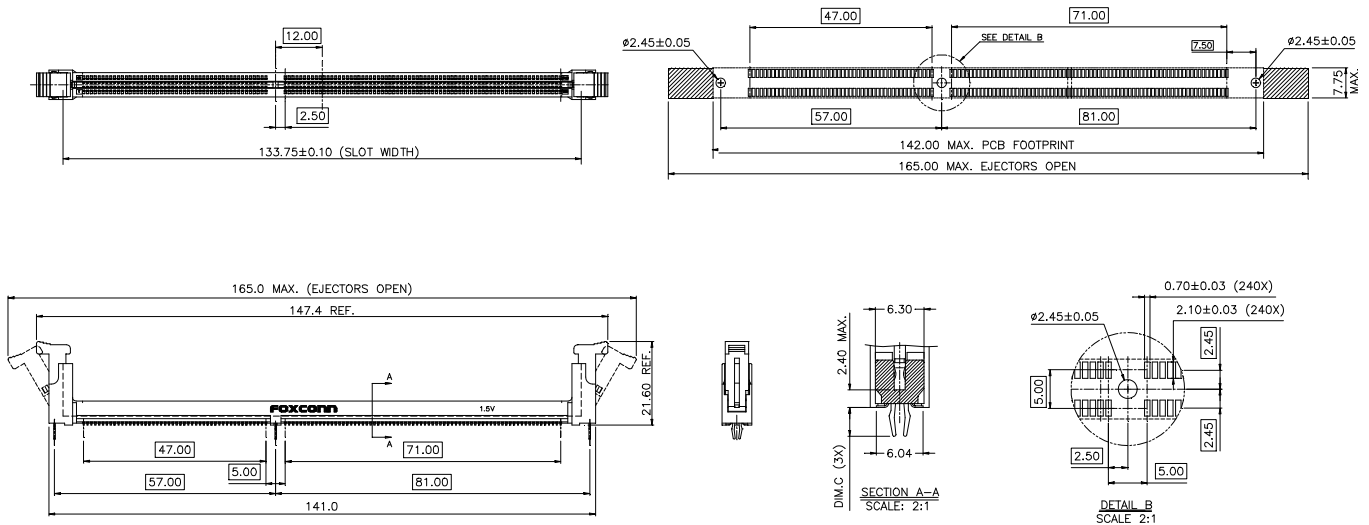
Housing: Thermoplastic, UL 94V-0 rated in Black Color
Contact: Copper alloy
Ejector: Thermoplastic, UL 94V-0 rated in Ivory or Natural Color
Metal Hold Down: Copper alloy
Operating Temperature: 0°C to +85°C

SMT DDR III Connector

ATS40 Series
Vertical VLP SMT Type
1.00mm [.039"] Pitch
240 Pos.



DRAWING



ORDERING INFORMATION

PRODUCT NO. : A TS 4 0 9 * - T K * C - *

MEMORY SOCKET ——— A

DDR III DIMM ——— TS

VERTICAL 1.00 MM PITCH, SMT TYPE ——— 4

Q'TY OF CONTACTS: 40= 240 POSITION ——— 0

CONTACT AREA GOLD PLATING ——— 9

PLATING TYPE
 F= SATIN TIN
 M= MATTE TIN

TRAY TYPE
 1= HARD TRAY
 3= HARD TRAY + COVER

EXTENSION CODE
 TKBC= WHITE EJECTOR

PART NUMBER	POSITION	MARKING	POSITION	DIM. C METAL BOARD LOCK
ATS409*-TKBC-*	240	1.5V	CENTER OFFSET	3.78±0.25