

Electrical

(REV. X)

BAND PASS FILTER:

IMPEDANCE:
CUT OFF FREQUENCY:
BAND PASS INSERTION LOSS: (6-9MHz)
ATTENUATION:

1MHz : -70.0dB MIN.
 27MHz : -55.0dB MIN.

RETURN LOSS: (100 OHM LOAD REF.)
 6-9MHz : -10.0dB MIN.

DIELECTRIC VOLTAGE WITHSTAND:
 (6) to (10,9) : 2000Vrms

10 BASE-T TRANSFORMER:

TURNS RATIO:

(1-2) : (16-15) : 1 : 1
 (3-4) : (3-5) : (13-12) : .5 : .5 : 1.414

INDUCTANCE:

(1-2) : 140uH MIN. @ 100KHz, 0.1Vrms
 (4-5) : 140uH MIN. @ 100KHz, 0.1Vrms

LEAKAGE INDUCTANCE:

4-5 (SHORT 13-12) : .7uH MAX. @ 100KHz
 1-2 (SHORT 16-15) : 1.0uH MAX. @ 100KHz

WINDING CAPACITANCE:

(1-2) to (16-15) : 12pF MAX. @ 100KHz
 (4-5) to (13-13) : 12pF MAX. @ 100KHz

RETURN LOSS:

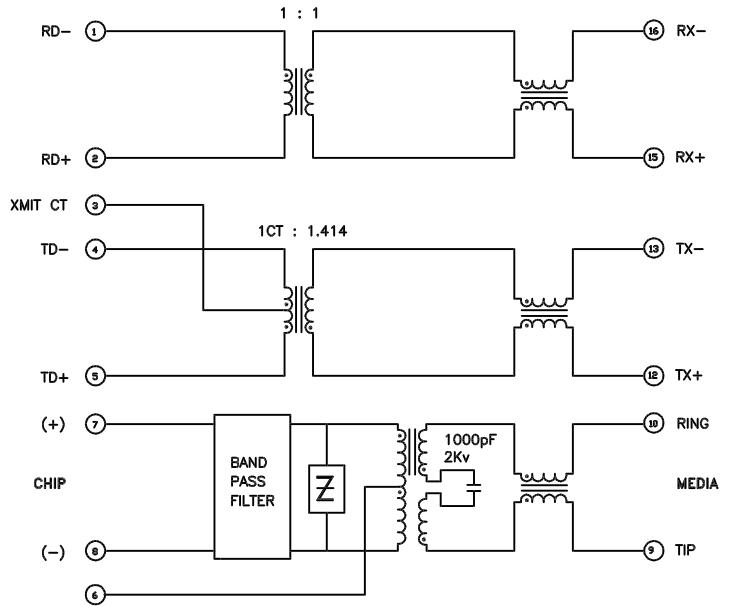
(13,12) to (4,5) : -18dB MIN. @ 1-10MHz
 (12,13) to (4,5) : -18dB MIN. @ 1-10MHz

DIELECTRIC VOLTAGE WITHSTAND:

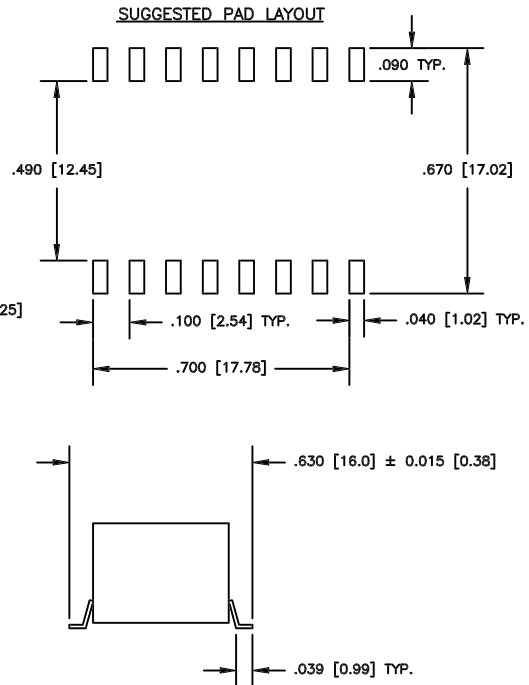
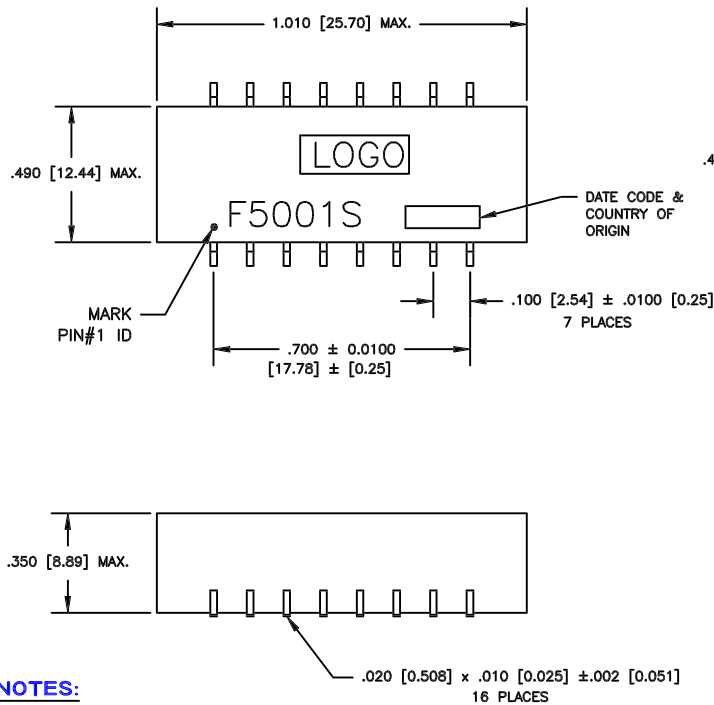
(1-2) to (16-15) : 2000Vrms
 (3-4) to (13-12) : 2000Vrms

TRANSMIT

100 Ohms
 5MHz, 10MHz
 4.0dB MAX.



Mechanical



NOTES:

- 1.0 LEADS MEET THE SOLDERABILITY REQUIREMENTS TO MIL-STD-202 METHOD 208.
- 2.0 COPLANARITY OF PINS IS .004 [.102] MAX.
- 3.0 THE CASE IS UL 94 V-0 BLACK PLASTIC.

WEBSITE innet-tech.com

E-MAIL innet@innet-tech.com

NORTH AMERICA

tel 858-578-8094
 fax 858-578-5762

HONG KONG

tel 852-2690-1049
 fax 852-2687-6441

CHINA

tel 86-769-229-2901
 fax 86-769-225-0747