

## Model HW Series

Wide Range Input

Fixed Output

Ultra-Compact

### General Notes

Short Protection	DC/DC Converter Shuts Down After an Output Based Short Circuit. Converter Starts Up after Power ( $V_{IN}$ ) is Turned On and Off.
On/Off Remote	DC/DC Converter is Controlled by Remote

### Physical Specifications

Dimensions:	13 mm x 28.5 mm x 6.5 mm (0.512" x 1.12" x 0.256")
Operating Temp:	0 to 60 °C
Relative Humidity:	20% to 90%, non-condensing
Storage:	-20 to 180 °C/5-95% RH

### Options

Active Hi	Active Low
W/O Remote On-Off	

### Electrical Characteristics\*

Ordering Code	Output Voltage (Vdc)	Input Voltage (Vdc)	Output Current (mA)	Min. Total Regulation ②	Efficiency ③	Max. Output Ripple Noise (mVp-p) ④	On/Off Remote
HWN-01	-24						
HWN-02	-23	10 - 25	0.0 - 30	±5%	75%	200	No
HWN-03	-22						
HWH-01	-24						
HWH-02	-23	10 - 25	0.0 - 30	±5%	75%	200	Active ④
HWH-03	-22						
HWL-01	-24						
HWL-02	-23	10 - 25	0.0 - 30	±5%	75%	200	Active ⑤
HWL-03	-22						

\*Above Specifications Occur @ 25 °C  
Input-Side Capacitor = 47 µF/35 V. Output-Side Capacitor = LXF35VB27 (Nippon Chemicon Co. Ltd..) unless otherwise noted

① Tester to Syncroscope (100 MHz)

② Occurs at:  $V_{in} = 10 - 25$  V;  $I_{out} = 0.0 - 30$  mA;  $T_a = 0.0 - 60$  °C

③ Occurs at:  $I_{out} = 0.0 - 30$  mA

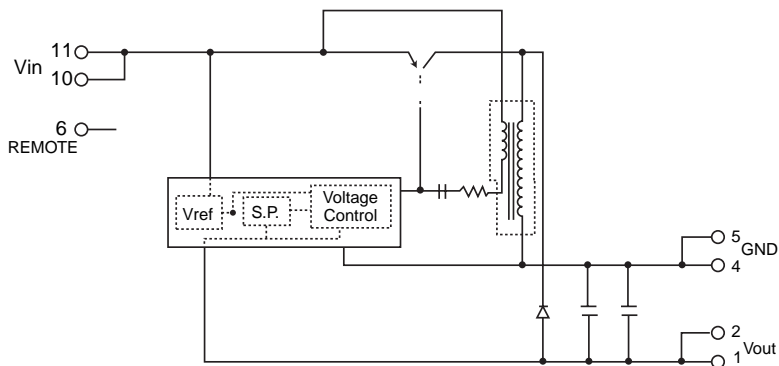
④ Occurs at: 'H' Level = On; 'L' Level = Off; H = 2.5 - 5.5 V & L = 0.5 V Max.

⑤ Occurs at: 'H' Level = Off; 'L' Level = On; H = ( $V_{in} - 0.5$  V) - OPEN & L = 0.0 - ( $V_{in} - 2.5$  V)

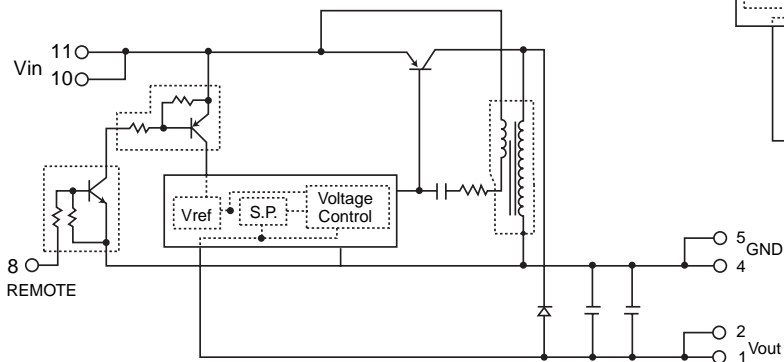
Model

# HW Series

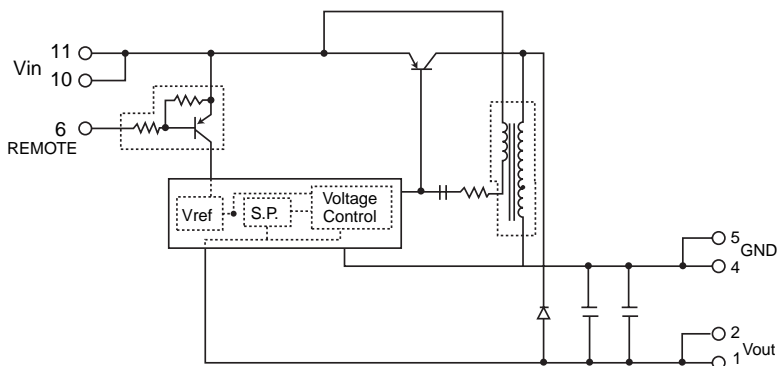
**HWN TYPE**



**HWHT TYPE**



**HWL TYPE**



© Copyright 2001 Taiyo Yuden (U.S.A.), Inc. Specifications subject to change without notice.



**TAIYO YUDEN**

*world leaders in materials and electronics technology*

Taiyo Yuden (U.S.A.), Inc.  
1770 La Costa Meadows Drive, San Marcos, CA 92069  
(760) 510-3200 / Fax: (760) 471-4021  
**(800) 493-6835**    [www.t-yuden.com](http://www.t-yuden.com)    [powerproducts@t-yuden.com](mailto:powerproducts@t-yuden.com)

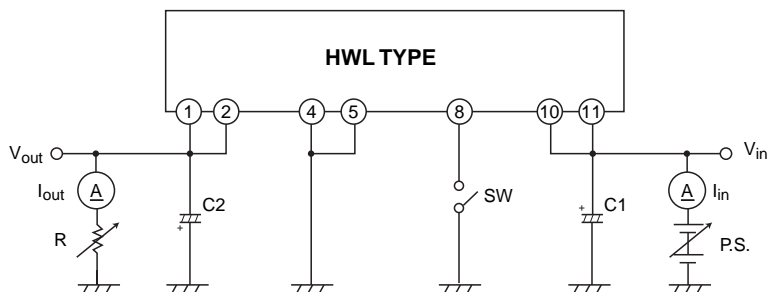
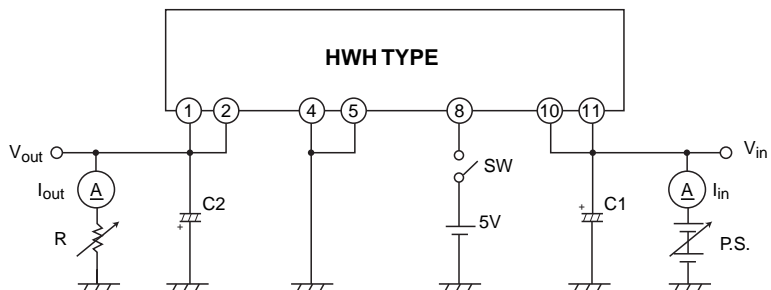
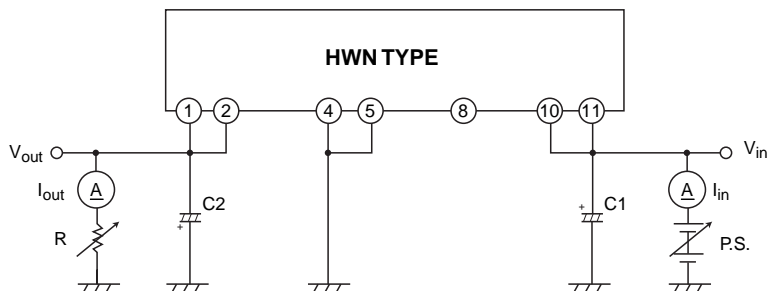


FM 32227

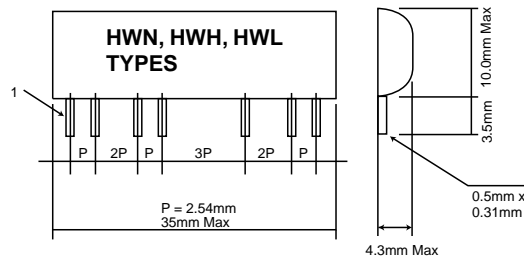
Model

# HW Series

Test Circuits



Outline Dimensions



**Test Conditions:**

C1: 47  $\mu$ F / 35V

C2: Model LXF35VB27 (Nippon Chemicon Co., Ltd.)

P.S. = DC Power Supply



**TAIYO YUDEN**

world leaders in materials and electronics technology

Taiyo Yuden (U.S.A.), Inc.

1770 La Costa Meadows Drive, San Marcos, CA 92069

(760) 510-3200 / Fax: (760) 471-4021

(800) 493-6835 www.t-yuden.com powerproducts@t-yuden.com

