

LOW PROFILE, kHz FREQUENCY CRYSTALS MOLDED PLASTIC SURFACE MOUNT ABS25



8.0 x 3.8 x 2.5 mm

FEATURES:

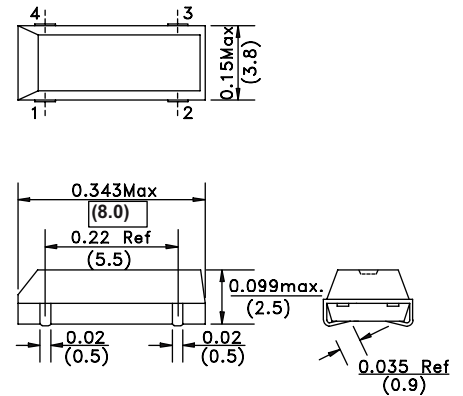
- Perfect for SMT applications with limited space.
- Low power consumption ideal for portable equipment.
- Low profile 2.5 mm.
- Plastic molded package with internal tubular type quartz crystal.
- Excellent heat resistance.
- Reflow capable.
- Watch frequency.

APPLICATIONS:

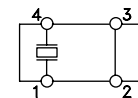
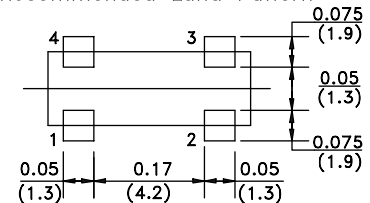
- Clock source for communication or A/V equipment, Measuring instruments.
- Real time clock.

STANDARD SPECIFICATIONS

Standard Frequency Range	32.768kHz	30kHz - 165kHz
Operating Temperature	-40°C to +85°C	
Storage Temperature	-55°C to +125°C	
Frequency Tolerance @ 25°C	±20ppm max. (See Options)	±30ppm max.(See Options)
Frequency Coefficient (β)	-0.034±0.006ppm/°C ²	
Turnover Temperature	25°C ±5°C	
Equivalent Series Resistance (ESR)	50kΩ max.	30kΩ max. to 50kΩ max.
Shunt Capacitance C ₀	1.35pF max.	0.8 ~ 1.7pF typ.
Motional Capacitance C ₁	0.003pF typ.	0.001 ~ 0.004pF typ.
Load Capacitance C _L	12.5pF (See Options)	
Capacitance Ratio C ₀ /C ₁	450 typical	425 ~ 800 typical
Drive Level	1μW max.	
Aging (Per Year)	±3ppm max.	±5ppm max.
Insulation Resistance	500MΩ min. at 100Vdc ±15 V	



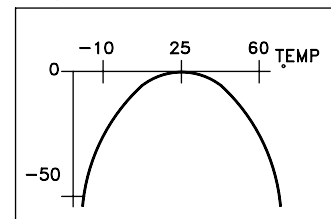
Recommended Land Pattern



Electrode Arrangement

Dimensions: Inches (mm)

FREQUENCY vs TEMPERATURE CURVE



NOTE: Example; Stability at -20°C is: $-0.034 \times (25 - [-20])^2 = -68.8\text{ppm}$.

Environmental, and mechanical specifications, see appendix C. Group 7.

Marking, see appendix G.

Tape and Reel, see appendix H.(3,000 pcs/reel)

Reflow profile, see appendix E.

Recommended handling, see appendix F.

Application notes, see appendix A.

ORDERING OPTIONS

ABS25 - Frequency - CL - Tolerance - Packaging

XX.XXXX kHz

Load cap. in pF

-1 for ± 10ppm*
-7 for ± 15ppm*
-2 for ± 20ppm
-3 for ± 25ppm
-4 for ± 30ppm

- T
(Tape & Reel)

* Please call us for availability