

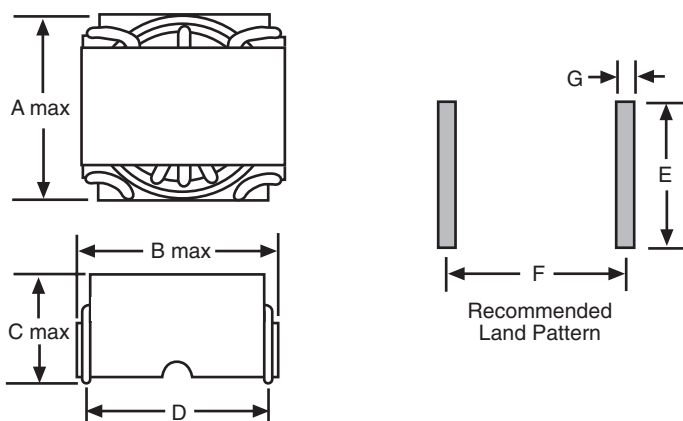


RL-8200

SMD POWER INDUCTORS



The RL-8200 series of Surface Mount Power Inductors is designed to handle exceptionally high current while maintaining a low profile. Thanks to its toroid winding, electromagnetic emissions are virtually eliminated, while its self-leaded design ensures reliability.



TAPE AND REEL PACKAGING

PART NUMBER	PIECES PER REEL	PLASTIC REEL SIZE
RL-8200-1	750	13"
RL-8200-2	350	13"
RL-8200-3	350	13"
RL-8200-4	300	13"
RL-8200-5	250	13"
RL-8200-6	250	13"
RL-8200-7	200	13"
RL-8200-8	200	13"

MECHANICAL DIMENSIONS in inches (mm)

PART NUMBER	A max	B max	C max	D	E	F	G
RL-8200-1	0.34 (8.64)	0.34 (8.64)	0.28 (7.00)	0.26 (6.60)	0.30 (7.62)	0.27 (6.86)	0.06 (1.52)
RL-8200-2	0.44 (11.18)	0.44 (11.18)	0.37 (9.50)	0.35 (8.89)	0.40 (10.16)	0.36 (9.14)	0.06 (1.52)
RL-8200-3	0.56 (14.22)	0.56 (14.22)	0.37 (9.50)	0.45 (11.43)	0.52 (13.21)	0.46 (11.68)	0.06 (1.52)
RL-8200-4	0.59 (14.99)	0.61 (15.62)	0.41 (10.50)	0.50 (12.70)	0.55 (13.97)	0.51 (12.95)	0.06 (1.52)
RL-8200-5	0.67 (17.02)	0.70 (17.78)	0.41 (10.50)	0.58 (14.73)	0.62 (15.75)	0.59 (14.99)	0.06 (1.52)
RL-8200-6	0.66 (16.89)	0.66 (16.89)	0.41 (10.50)	0.56 (14.22)	0.49 (12.45)	0.57 (14.48)	0.08 (2.03)
RL-8200-7	0.74 (18.80)	0.74 (18.80)	0.41 (10.50)	0.63 (16.00)	0.56 (14.22)	0.64 (16.26)	0.08 (2.03)
RL-8200-8	0.96 (23.88)	0.96 (23.88)	0.41 (10.50)	0.82 (20.83)	0.70 (17.78)	0.83 (21.08)	0.08 (2.03)



RENCO ELECTRONICS, INC.

595 International Place, Rockledge, FL 32955-4200 USA

(321) 637-1000 • Toll Free Engineering Hot line 800-645-5828

Fax: (321) 637-1600 Web Site: www.rencousa.com E-mail: sales@rencousa.com

Renco Part Number	Inductance (μH) @ 0A ±20%	Inductance (μH) Typical @ I rated	DCR max (mΩ)	SRF typ (MHz)	Rated Current (A)
RL-8200-1-1.1	1.1	1.01	16.0	360.0	3.4
RL-8200-1-7.0	7.0	6.2	95.0	70.0	1.4
RL-8200-1-23	23.0	17.6	320.0	21.0	1.0
RL-8200-2-5.2	5.2	3.8	19.9	60.0	4.8
RL-8200-2-12	12.0	9.4	47.2	33.0	2.8
RL-8200-2-35	35.0	29.7	166.0	12.0	1.4
RL-8200-2-170	170.0	114.0	640.0	3.3	0.94
RL-8200-3-3.8	3.8	2.5	9.3	133.0	8.0
RL-8200-3-7.5	7.5	5.1	18.7	73.0	5.4
RL-8200-3-22	22.0	16.2	63.0	34.0	2.7
RL-8200-3-73	73.0	58.1	290.0	5.0	1.3
RL-8200-3-290	290.0	192.0	657.0	2.3	0.9
RL-8200-3-670	670.0	383.0	1200.0	1.2	0.72
RL-8200-4-7.9	7.9	4.9	16.2	49.0	7.8
RL-8200-4-14	14.0	9.0	23.6	20.0	5.5
RL-8200-4-41	41.0	29.1	85.0	9.5	2.7
RL-8200-4-1100	1100.0	670.0	1908.0	0.73	0.7
RL-8200-5-16	16.0	9.3	19.7	19.0	7.2
RL-8200-5-26	26.0	16.1	32.0	9.2	5.1
RL-8200-5-73	73.0	50.0	133.0	14.0	2.6
RL-8200-5-2000	2000.0	1070.0	1932.0	0.4	0.71
RL-8200-6-2.8	2.8	1.68	4.6	136.0	13.9
RL-8200-6-4.2	4.2	2.5	6.6	72.0	11.4
RL-8200-7-6.5	6.5	3.5	7.2	46.0	12.4
RL-8200-7-8.4	8.4	4.7	8.5	23.0	10.4
RL-8200-8-11	11.0	6.5	8.2	20.0	14.0
RL-8200-8-18	18.0	10.0	12.5	9.0	10.0

NOTES:

1. Inductance tested at 100 kHz, 0.1 Vrms on an Agilent/HP 4192A impedance analyzer
2. Inductance with IDC current applied tested at 100 kHz, 0.1 Vrms on an Agilent/HP 4284A LCR meter.
3. SRF measured using Agilent/HP8753ES network analyzer.
4. Operating temperature range -40°C to +130°C.
5. Meets UL 94V-0 rating.
6. Electrical specifications at 25°C.



RENCO ELECTRONICS, INC.

595 International Place, Rockledge, FL 32955-4200 USA

(321) 637-1000 • Toll Free Engineering Hot line 800-645-5828

Fax: (321) 637-1600 Web Site: www.rencousa.com E-mail: sales@rencousa.com