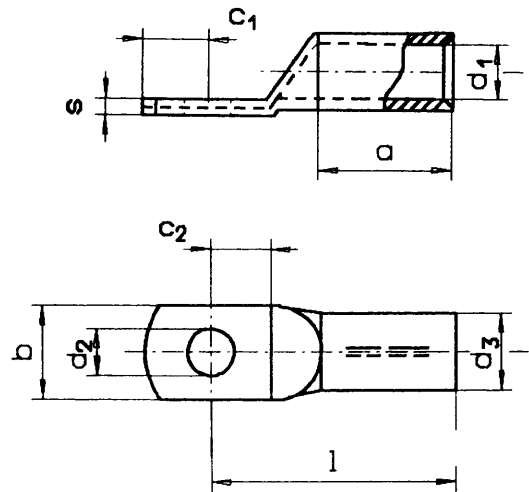
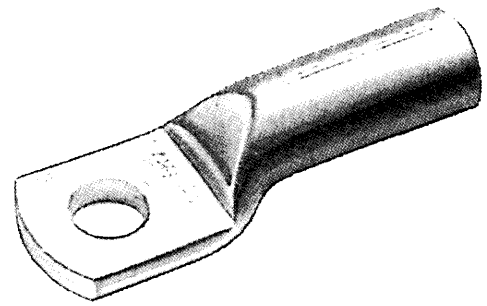


# STA-KON®

## Copper Tube Terminals



### Uninsulated Copper Tube Terminals

Part No.	Wire Size mm <sup>2</sup>	Stud Size	WKZ	l	c <sub>1</sub>	Dimensions mm				Weight kg/100	Pack Size				
						b	s	d <sub>1</sub>	d <sub>2</sub>						
T 2.5-4*	2.5	M 4		13	4	7.5	1.2	2.3	4.3	0.13					
T 4-6*	4	M 6		19	6.5	10	1.2	3	6.5	0.24	100				
T 6-5	6	M 5	5	24	6.5	8.5	1.5	3.8	5.3	0.31	100				
T 6-6		M 6			7.5	8.5	1.5		6.4	0.30					
T 10-6		M 6			7.5	9	1.5		6.4	0.36					
T 10-8		M 8			6	27	10		13	1.3		4.5	8.4	0.39	100
T 10-10	10	M 10			12	17	1.5		10.5	0.37					
T 16-6		M 6			7.5	13			6.4	1.18					
T 16-8		M 8	8	36	10	13	2.5	5.5	8.4	1.18	100				
T 16-10		M 10								12		17		10.5	1.20
T 25-6	25	M 6			7.5	14			6.4	1.49					
T 25-8		M 8	10	38	10	16	3	7	8.4	1.57	100				
T 25-10		M 10								12		17		10.5	1.58
T 25-12		M 12								13		19		13	1.54
T 35-8	M 8	12								42		10	17	3.5	8.2
T 35-10	M 10		12	19		10.5	2.85								
T 50-8	50	M 8			10	20			8.4	4.50	100				
T 50-10		M 10	14	52	12	22	4	10	10.5	4.50					
T 70-10	70	M 10	16	55	12	24	4.5	11.5	10.5	6.15	50				
T 95-10	95	M 10	18	65	12	28	5	13.5	10.5	9.15	50				
T 120-10	120	M 10	20	70	15	32	5.5	15.5	10.5	11.40	50				
T 150-10		M 10			15				10.5	16.40					

\*According to DIN 40500 Ringform with inspection hole  
For Tooling see page 182-194

